

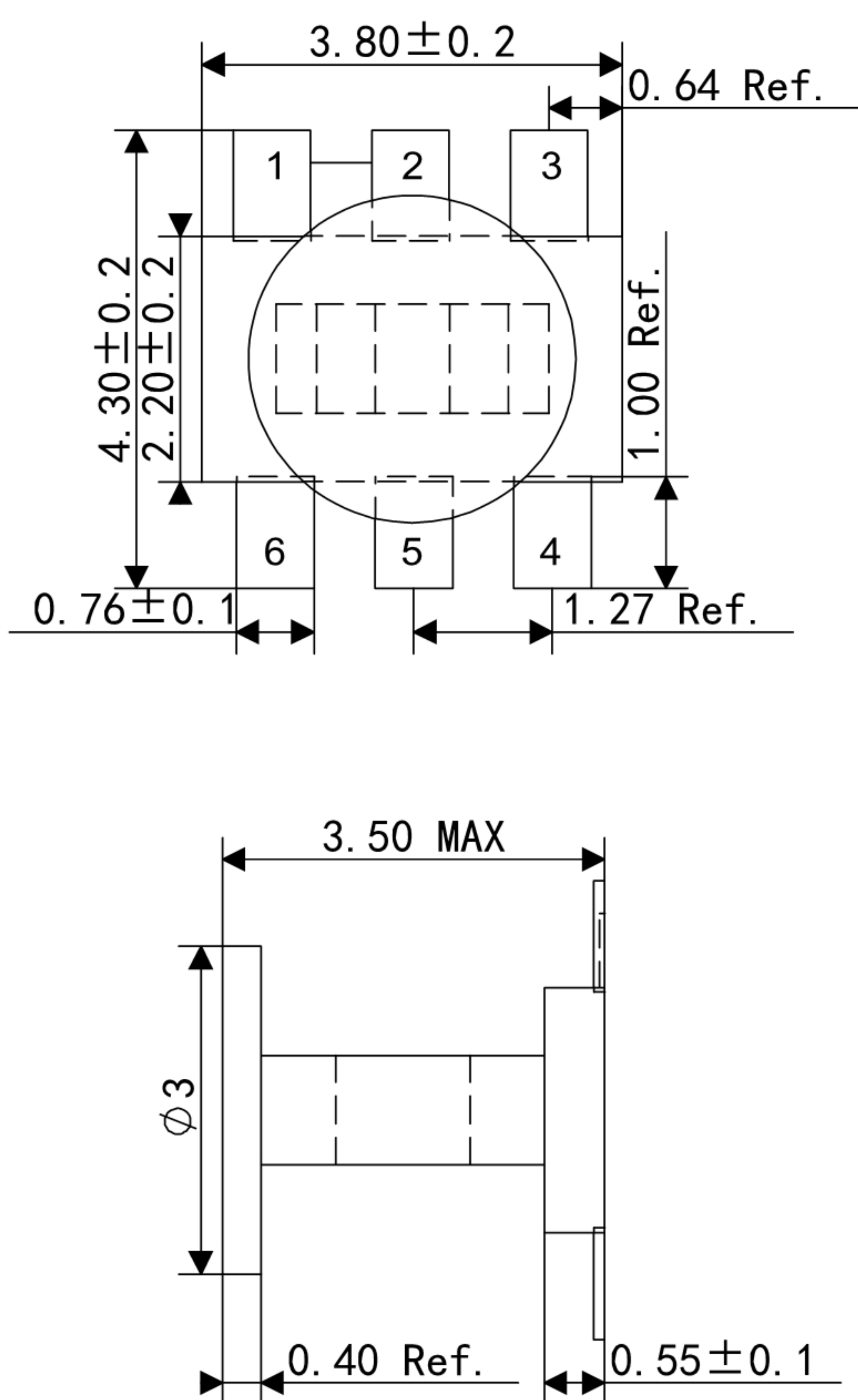
DBLF2-33-I+

RF Balun Transformer



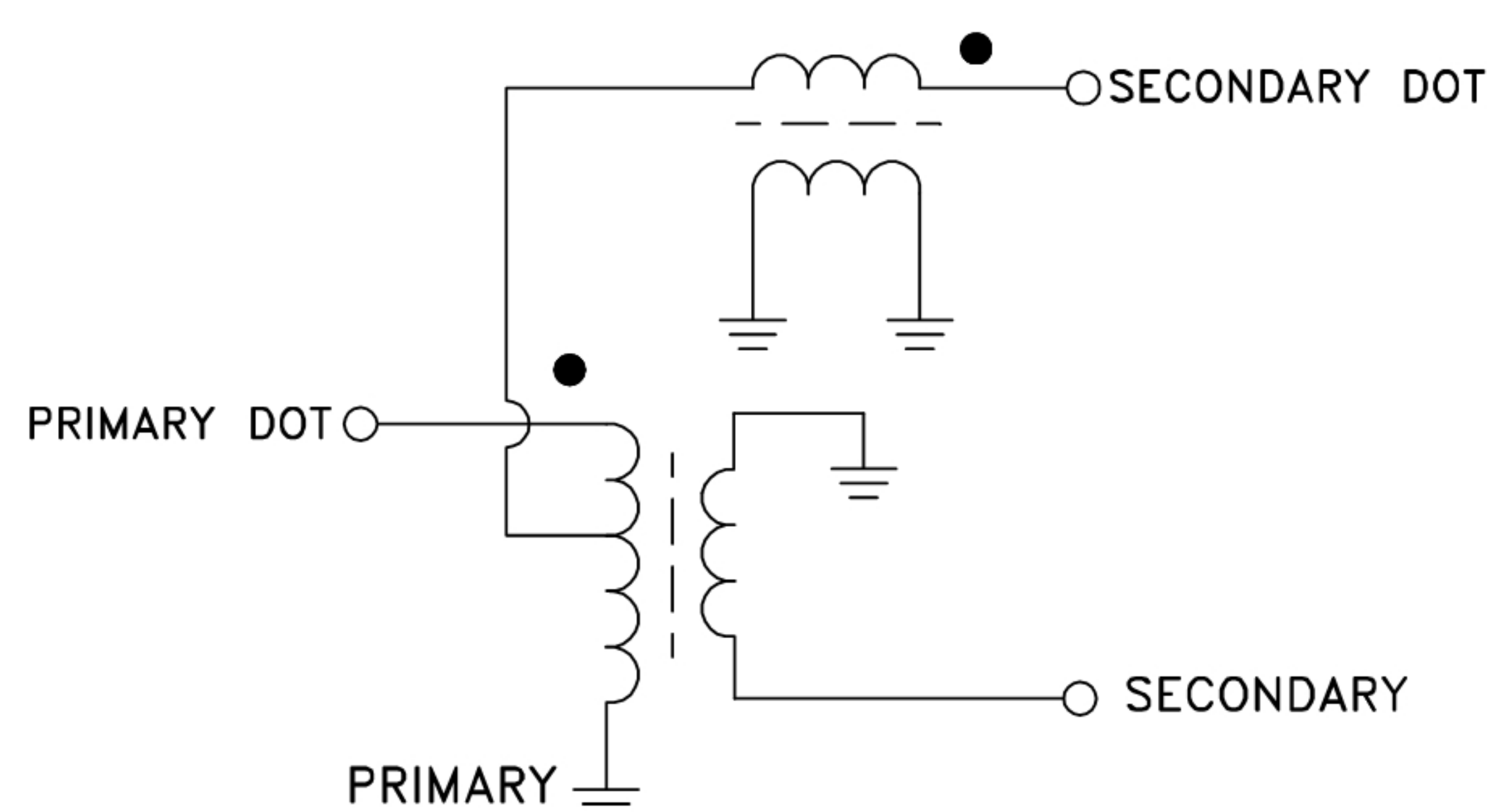
50Ω 1:2 Transmission Line Transformer 10-3000 MHz

Outline Drawing(mm)

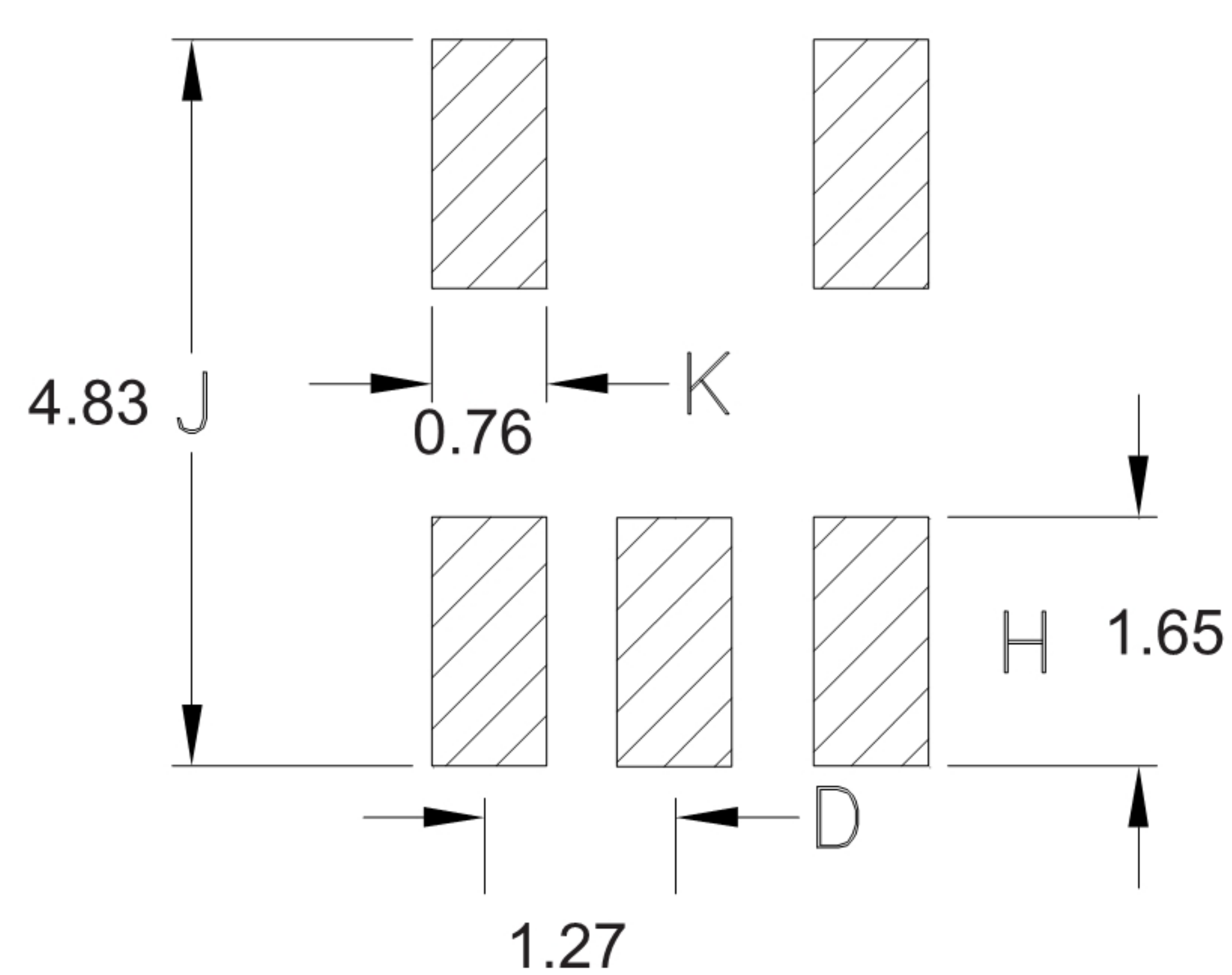


Electrical structure

Fig W



Recommended layout(mm)



Pin Connections

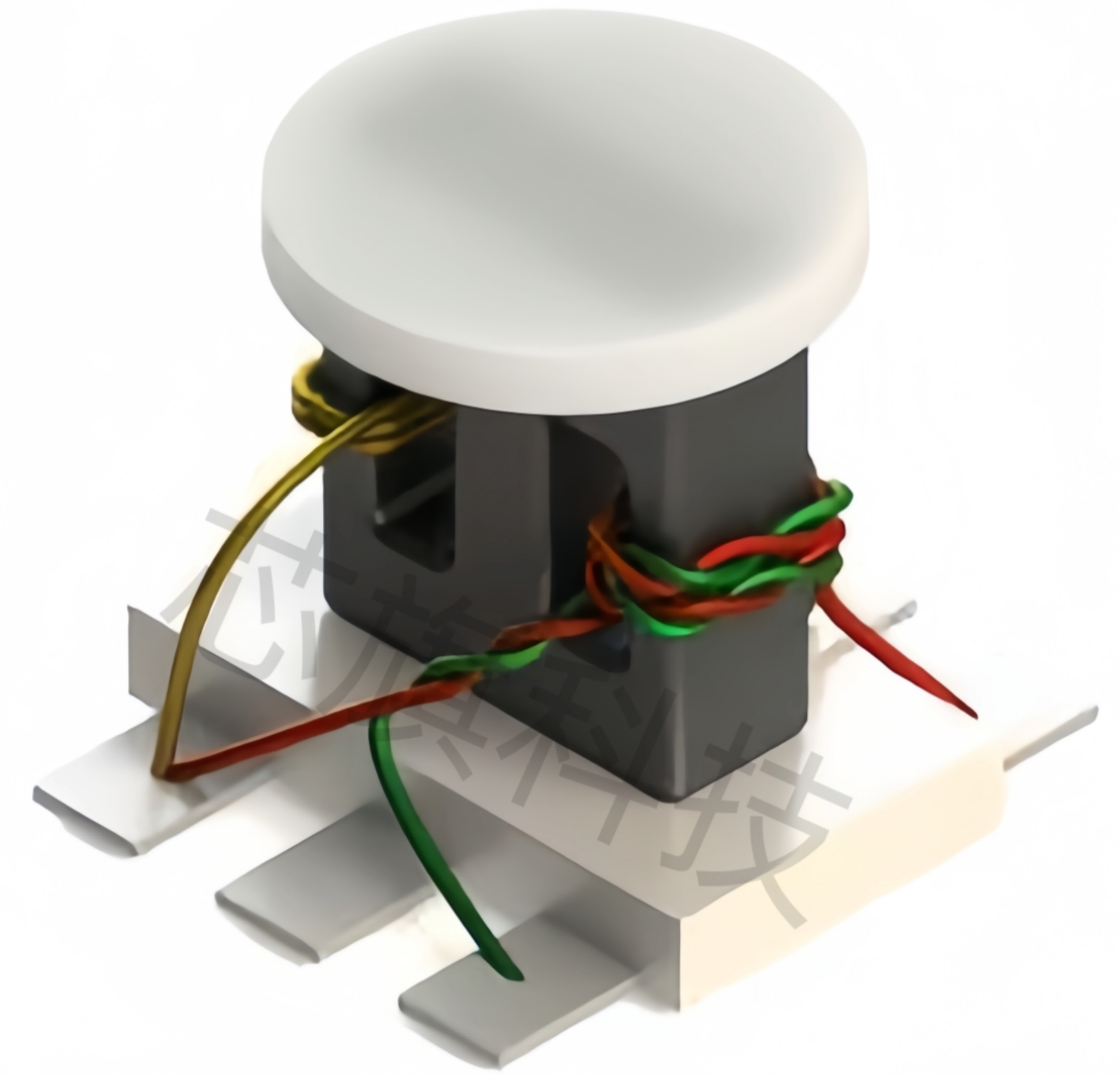
| | |
|----------|------|
| Input | 6 |
| Output 1 | 4 |
| Output 2 | 3 |
| Ground | 2, 5 |

Features

- Operating temperature range: -40°C to +85°C
- Storage temperature range: -55°C to +100°C
- RoHS Compliant and Lead free
- 260°C Reflow Compatible
- Input Power: 0.40W Max
- DC Current: 30 mA

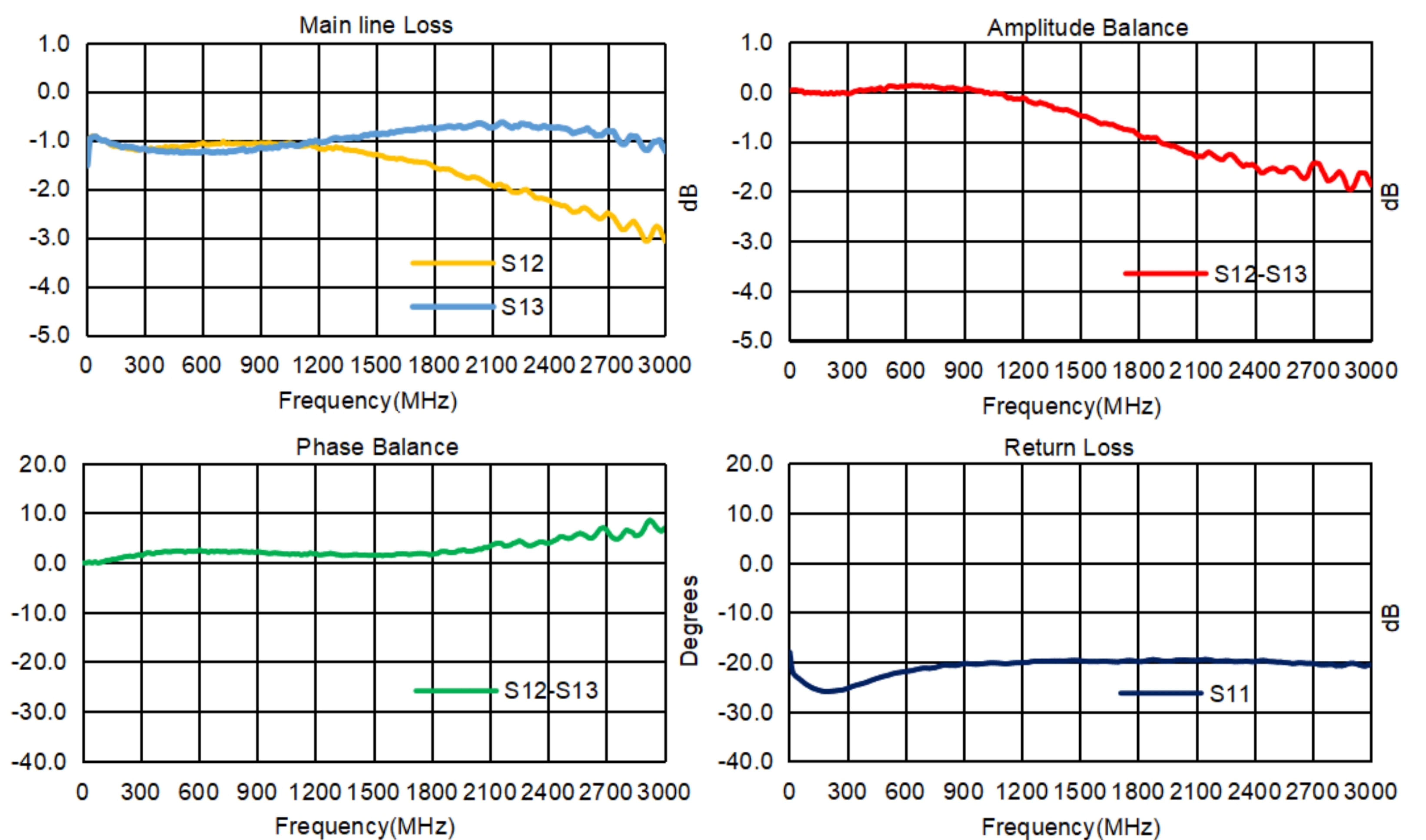
Applications

- For Motorola Walkie-talkie.
- For Car Streaming Media Rearview Mirror.
- For Broadband and Wireless Communications.
- For Wireless Microphone & Marine Communications.
- For Ideally Suited LTE, Cellular, UMTS, WiFi, WiMAX.
- For Differential Modulator/demodulator and Active Mixers.

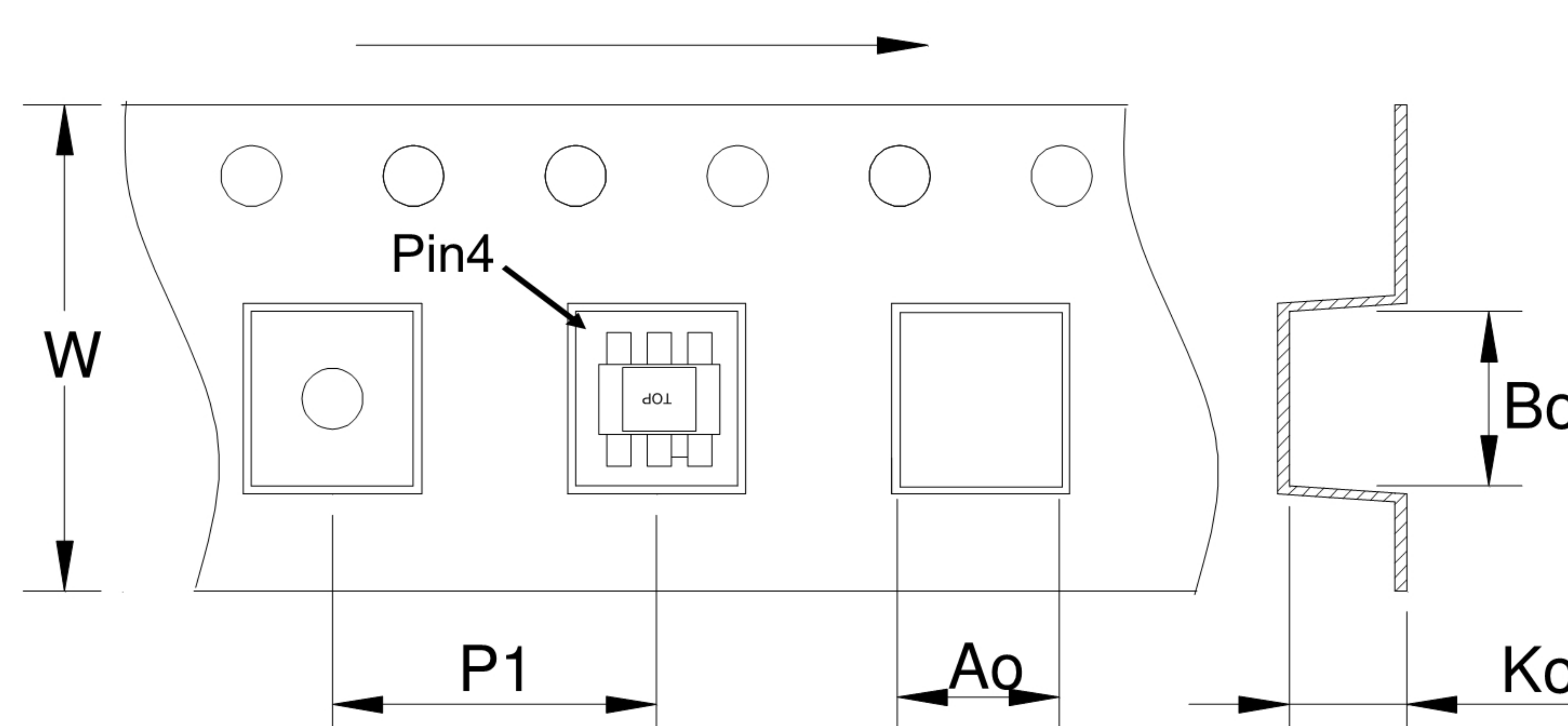


Electrical Specifications:TA=25°C, 0dBm, Z0=50Ω

| Parameter | Test Conditions | Units | Min | Typ | Max |
|-------------------------|-----------------|-------|------|------|------|
| Main line Loss (Pin6-4) | 10-3000MHz | dB | — | 2.0 | 3.5 |
| Main line Loss (Pin6-3) | 10-3000MHz | dB | — | 1.0 | 2.0 |
| Amplitude Balance | 10-3000MHz | dB | — | 2.0 | 3.0 |
| Phase Balance | 10-3000MHz | ° | — | 8.0 | 20.0 |
| Input Return Loss(Pin6) | 10-3000MHz | dB | 15.0 | 20.0 | — |



Carrier Tape Orientation



Tape & Reel Information

| Parameter | Units | Value |
|--------------|-------|-------|
| Qty per reel | PCS | 2000 |
| Reel Size | mm | 330 |
| Tape Width | mm | 12.00 |
| Pitch | mm | 8.00 |
| Ao | mm | 4.50 |
| Bo | mm | 4.50 |
| Ko | mm | 3.20 |