

**Features**

- wideband, 3-800 MHz
- good return loss
- plastic base with leads
- aqueous washable

**Applications**

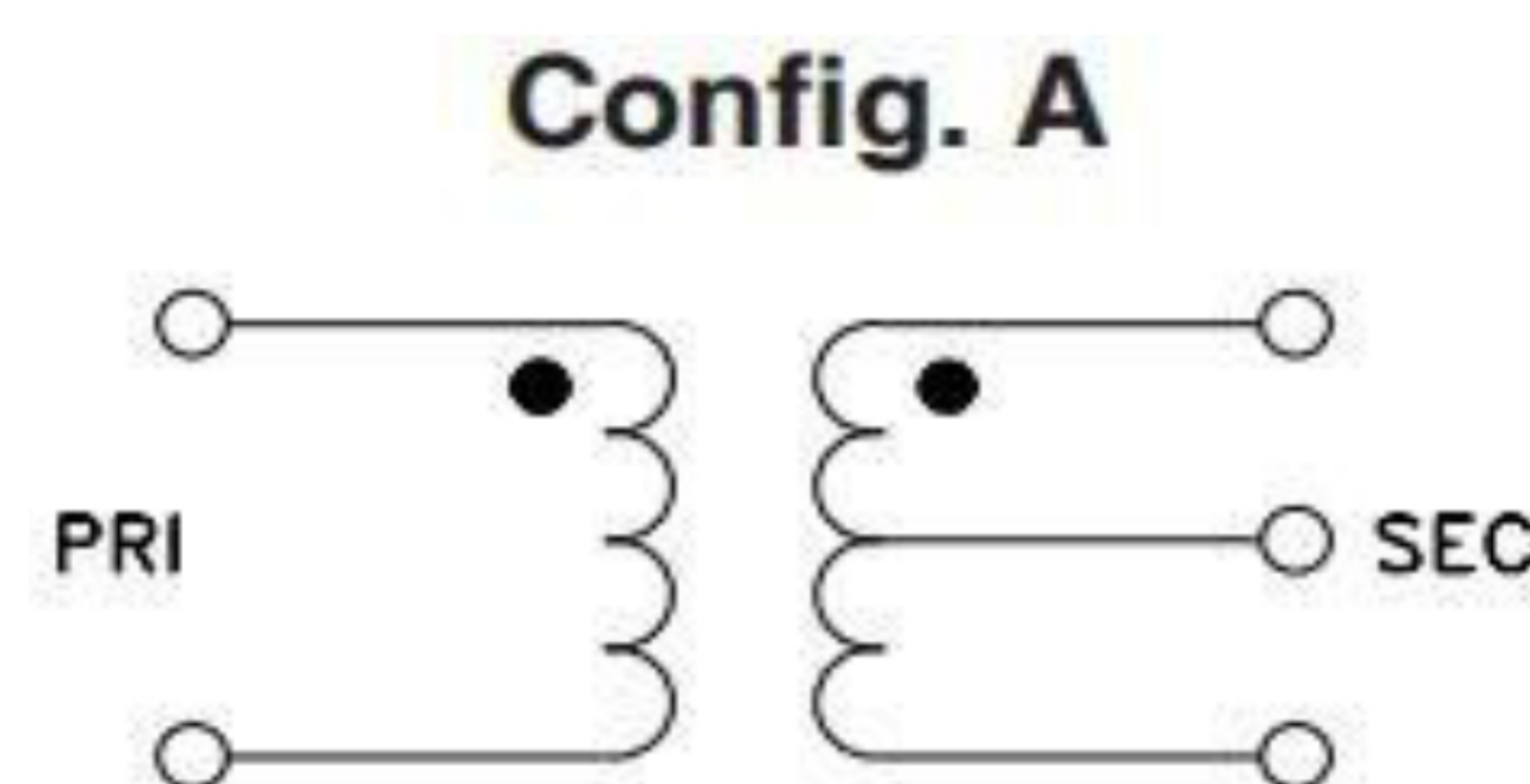
- impedance matching
- push-pull amplifiers



**Transformer Electrical Specifications**

Ω RATIO	FREQUENCY (MHz)	INSERTION LOSS* (dB)	PHASE UNBALANCE (Deg.) Typ.	AMPLITUDE UNBALANCE (dB) Typ.
4	3-800	3-800	1	0.5

\* Insertion Loss is referenced to mid-band loss, 0.3 dB typ.



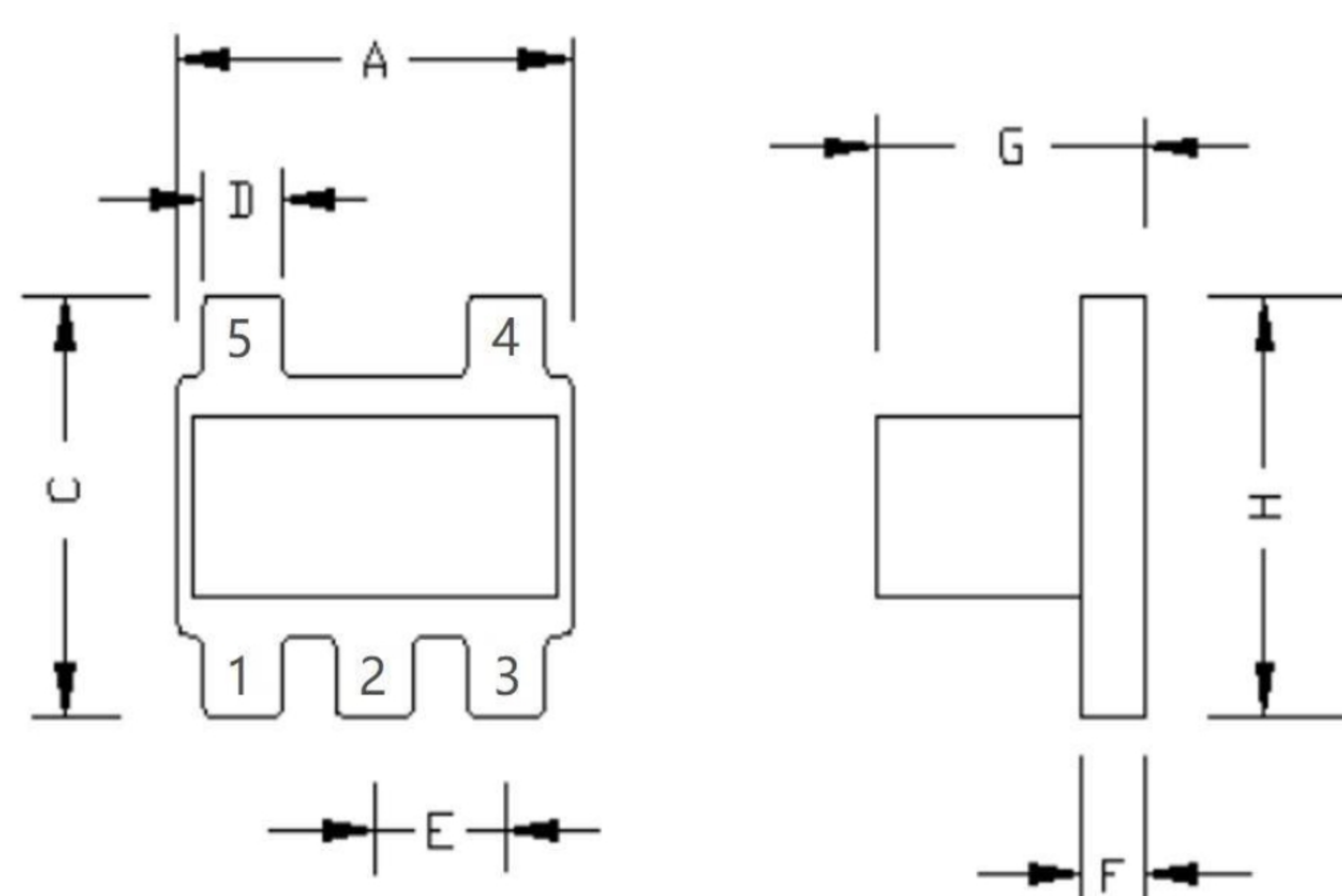
**Typical Performance Data**

FREQUENCY (MHz)	INSERTION LOSS (dB)	INPUT R. LOSS (dB)
3.00	1.09	11.58
4.00	0.98	12.35
5.00	0.93	13.11
7.50	0.86	14.21
10.00	0.83	14.49
100.00	0.88	15.77
250.00	0.96	16.17
400.00	1.13	16.72
600.00	1.36	15.59
800.00	2.21	9.07

**Maximum Ratings**

Operating Temperature -20°C to 85°C
Storage Temperature -55°C to 100°C
RF Power 0.5W
DC Current 30mA
Permanent damage may occur if any of these limits are exceeded.

**Outline Drawing**



**Outline Dimensions ( mm )**

Dimension	Value	Symbol	Value
A	3.81	N	-
B	-	M	1.27
C	3.81	P	0.76
D	0.76		
E	1.27		
F	0.61		
G	2.61		
H	3.81		
J	-		
K	4.81		
L	1.30		
WT	0.18		

**Pin Connections**

PRIMARY	1
SECONDARY CT	2
PRIMARY DOT	3
SECONDARY	4
SECONDARY DOT	5

**PCB Land Pattern**

