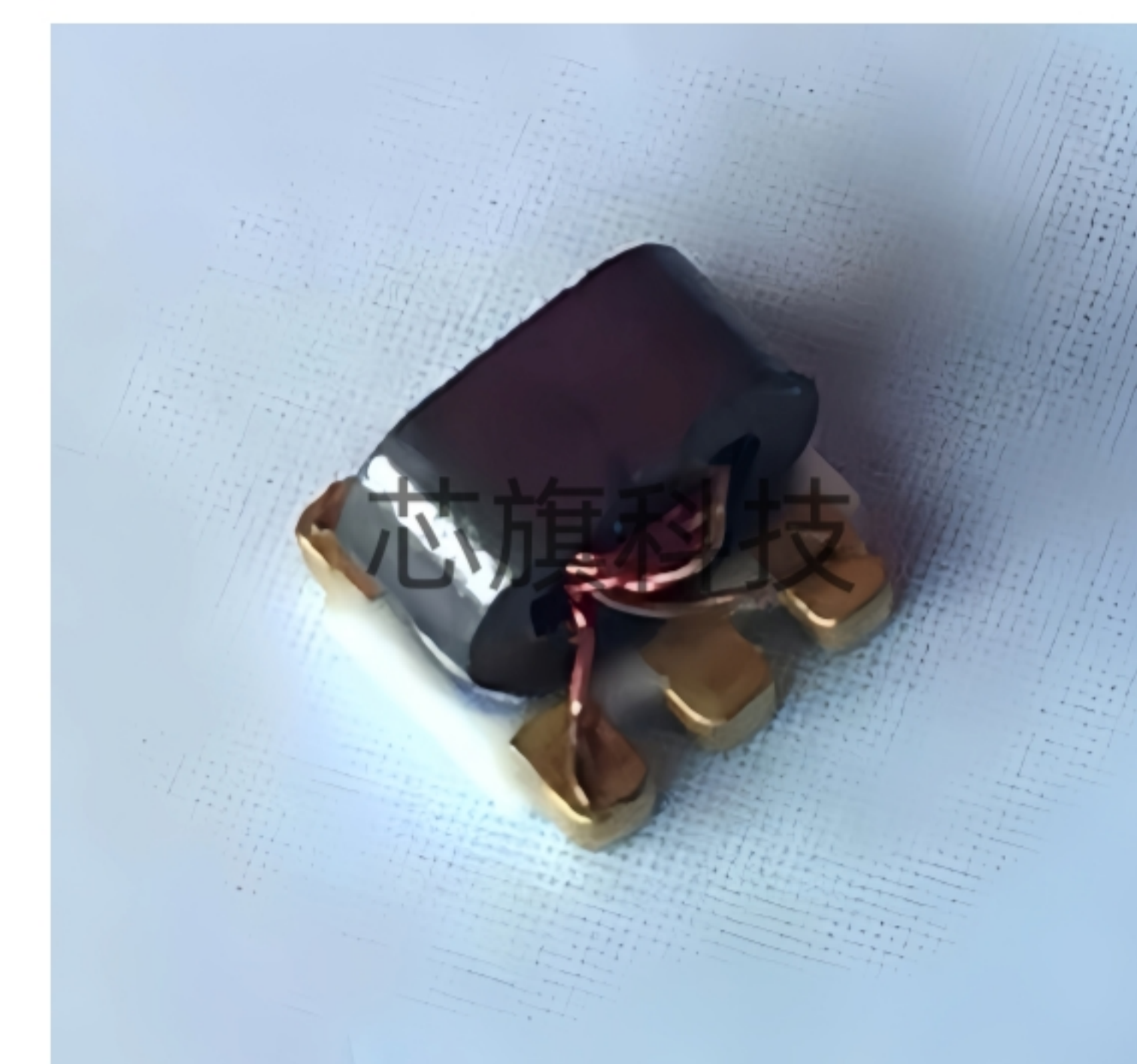


Features

- wideband, 2 to 500 MHz
- good return loss
- plastic base with leads
- aqueous washable

Applications

- push-pull amplifier
- impedance matching



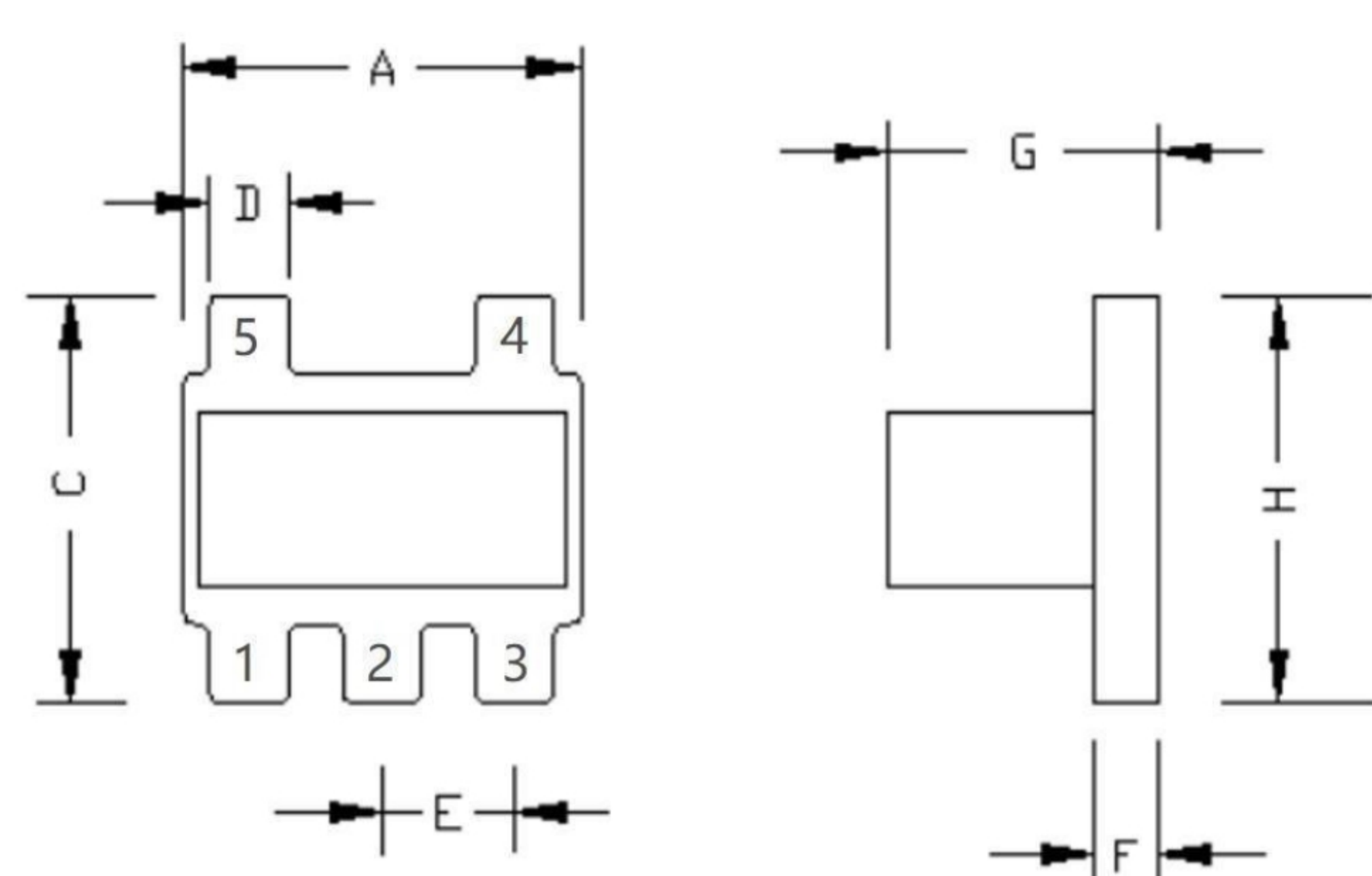
Electrical Specifications at 25°C				
Ω RATIO	FREQUENCY (MHz)	INSERTION LOSS*		
		3 dB MHz	2 dB MHz	1 dB MHz
8	2-500	2-500	5-400	10-100

Maximum Ratings	
Operating Temperature	-20°C to 85°C
Storage Temperature	-55°C to 100°C
RF Power	0.25W
DC Current	30mA
Permanent damage may occur if any of these limits are exceeded.	

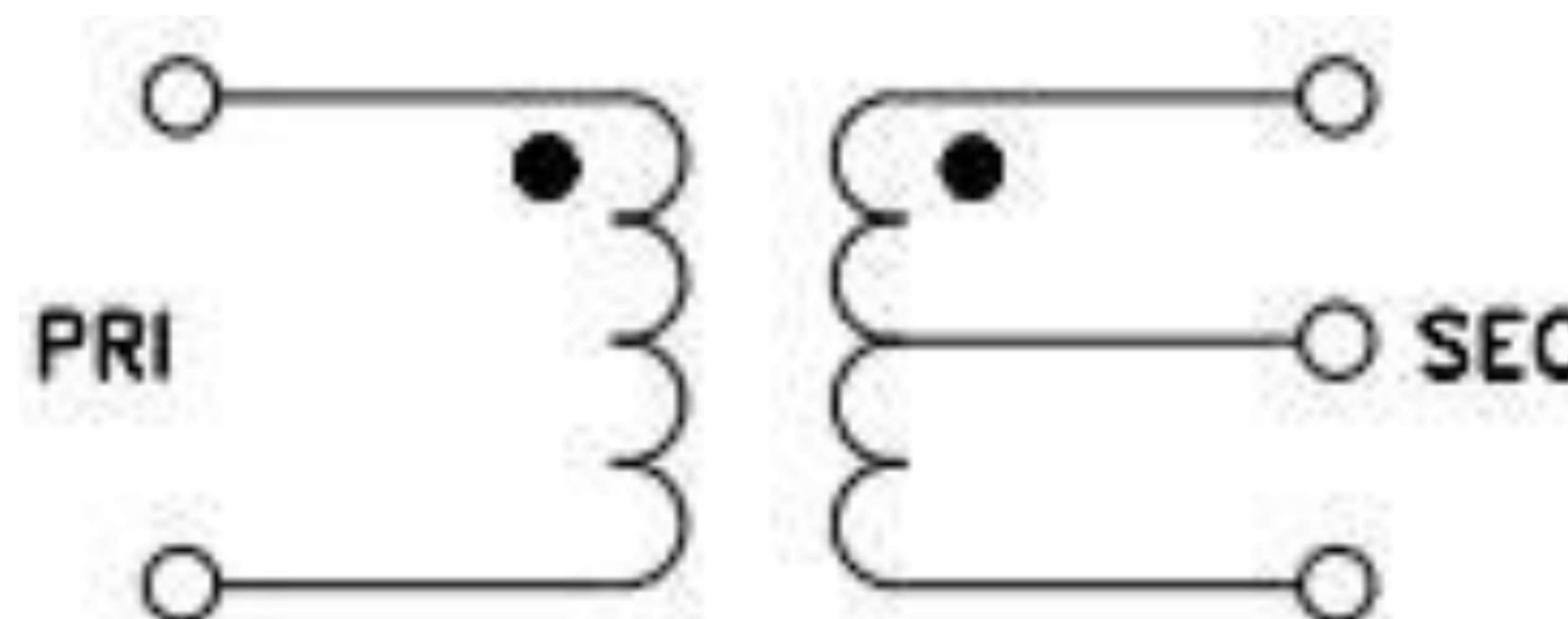
Typical Performance Data at 25° C		
FREQUENCY (MHz)	INSERTION LOSS (dB)	INPUT R. LOSS (dB)
2.00	1.20	10.65
3.00	1.03	12.20
5.00	0.90	14.01
7.50	0.84	15.09
10.00	0.82	15.64
55.00	0.86	15.88
100.00	0.90	15.29
400.00	1.15	9.68
450.00	1.34	9.15
500.00	1.51	8.67

Pin Connections	
PRIMARY DOT	6
PRIMARY	4
SECONDARY DOT	3
	1
	2

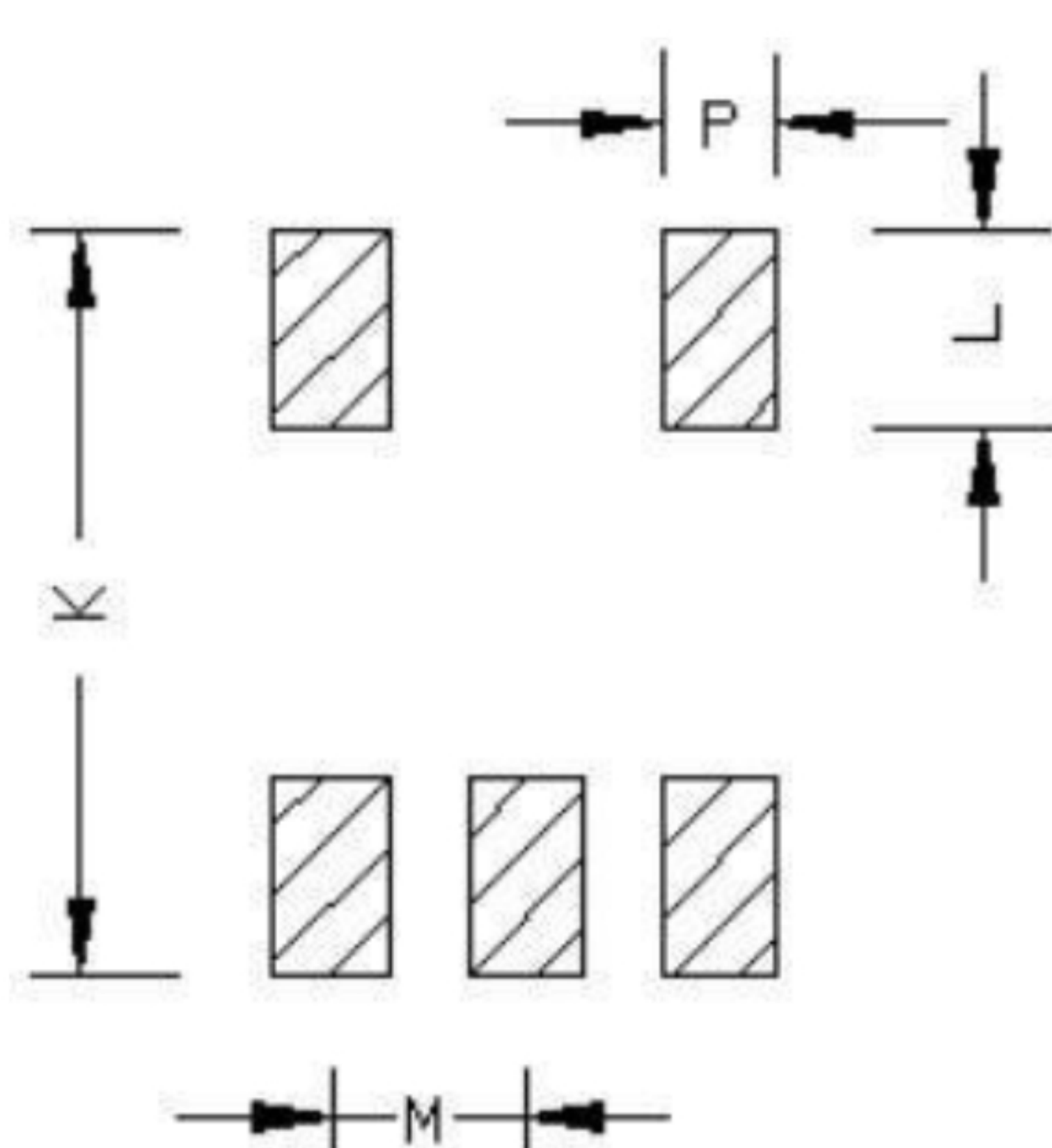
Outline Drawing



Config. A



PCB Land Pattern



Outline Dimensions (mm)			
A	3.81	N	-
B	-	M	1.27
C	3.81	P	0.76
D	0.76	J	-
E	1.27	K	4.81
F	0.61	L	1.30
G	2.71	H	3.81
WT	0.16g		

