

### Features:

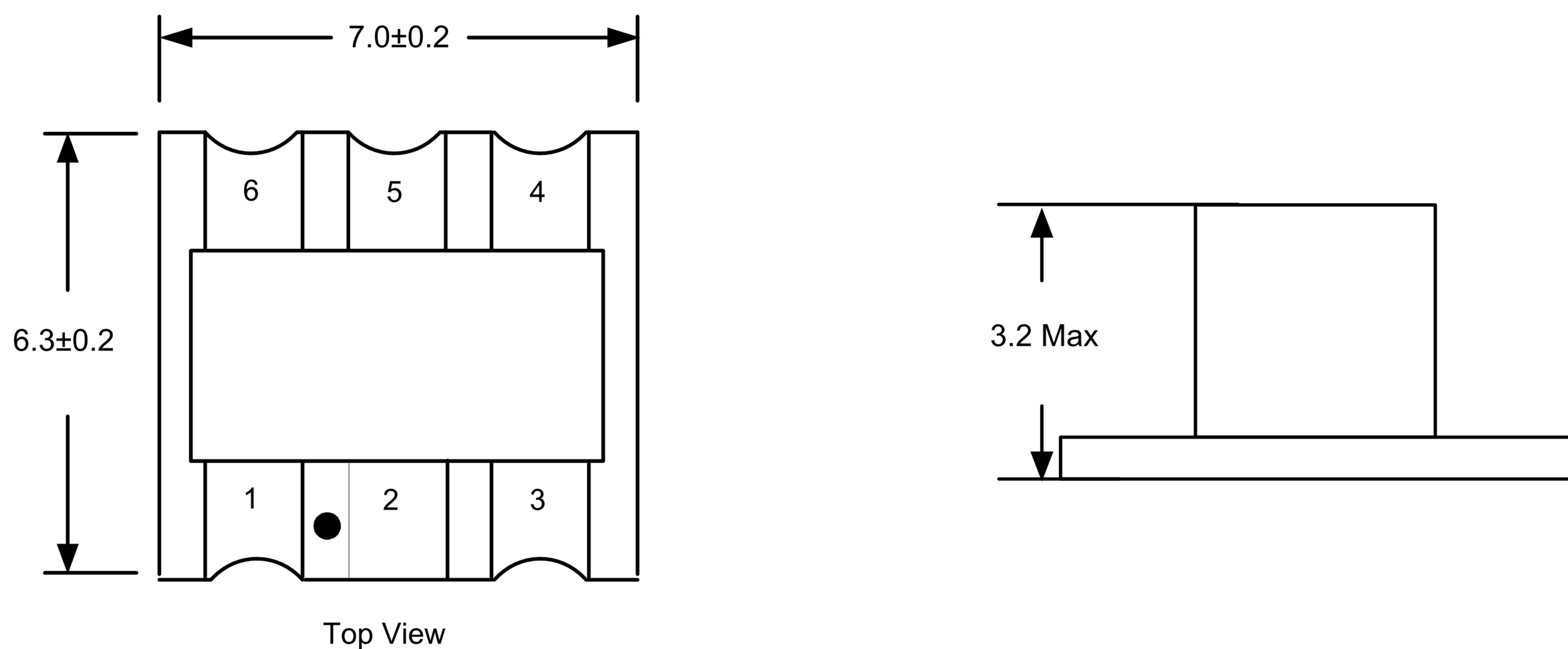
- ◆ Input Power: 500mW Max
- ◆ DC Current: 500 mA Max
- ◆ 260°C reflow compatible
- ◆ RoHS Compliant and Pb free
- ◆ Operating temperature range: -40°C to +85°C
- ◆ Storage temperature range: -55°C to +100°C



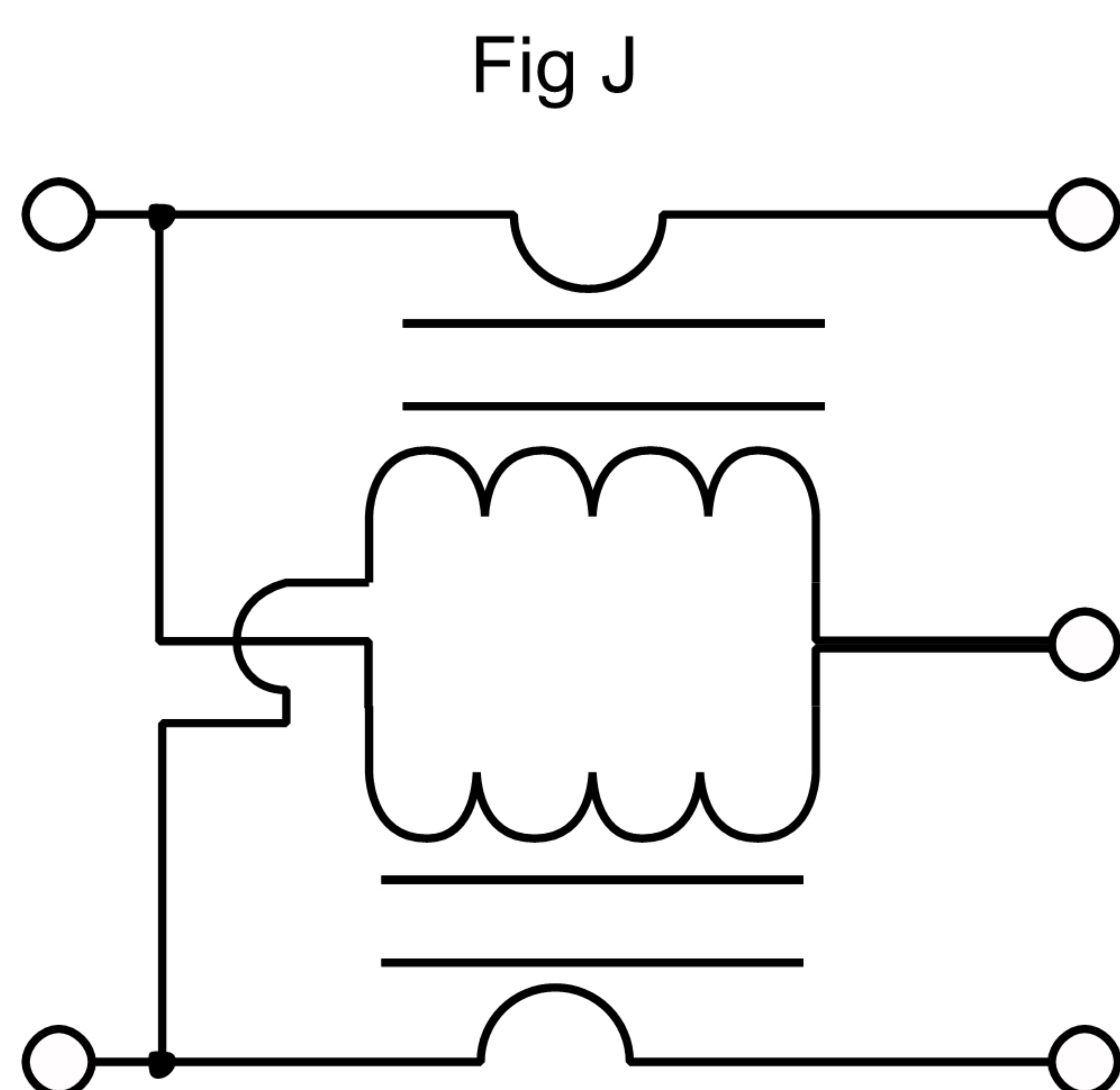
### Applications:

- ◆ For Docsis 3.0 & 3.1 Cable Modem.
- ◆ For Wideband Push-pull Amplifiers.
- ◆ For CATV Amplifiers Module & Set top box.
- ◆ For CATV Optical Receivers and Amplifiers.
- ◆ For VHF/UHF Transmitters and Push-pull Amplifiers.

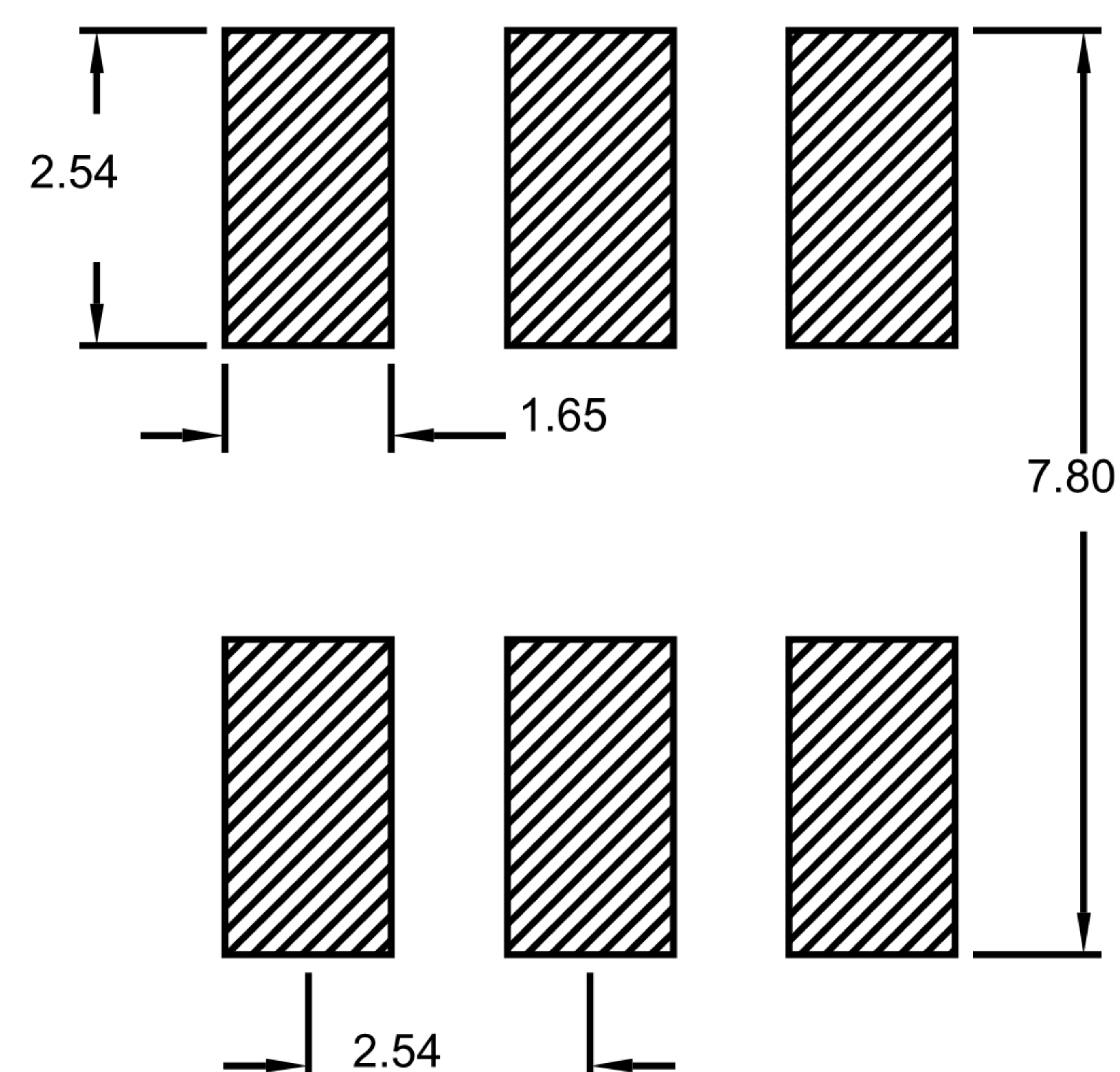
### Dimension diagram (Unit:mm) :



### Electrical structure:



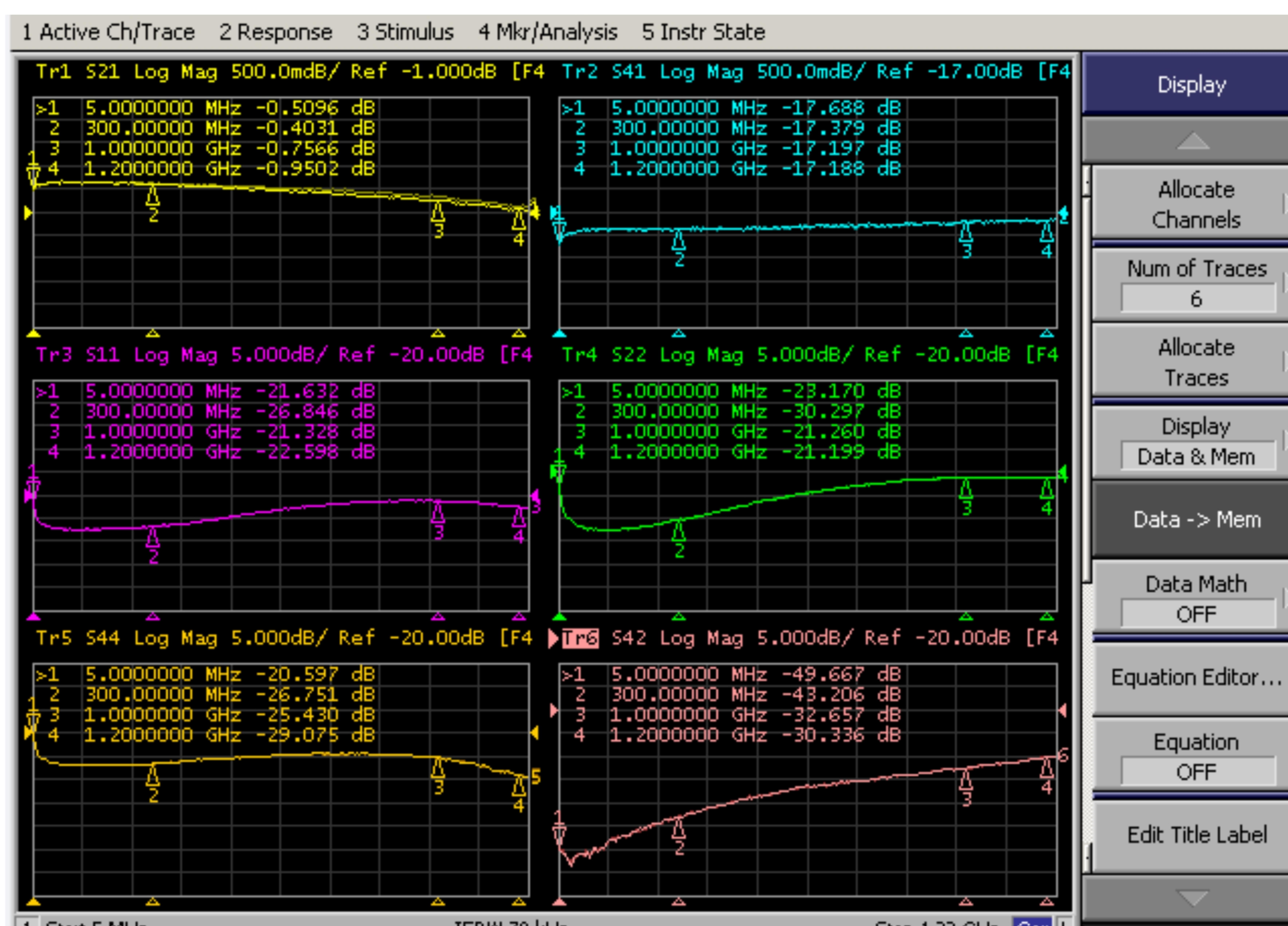
### Recommended layout(mm):



Pin configuration:

Input	1
Coupling	3
Output	6
Ground	2
External 75 Ω	4

Sample Test Data Sheet :



Electrical Specifications:  $T_A=25^{\circ}\text{C}$   $Z_0=75\Omega$

Parameter	Test Conditions	Units	Min	Typ	Max
Main line Loss(S21)	5-1250MHz	dB	—	0.75	1.5
Coupling(S41)	5-1250MHz	dB	16.3	17.3	18.3
Input Return Loss(S11)	5-1250MHz	dB	18.0	25.0	—
Output Return Loss(S22)	5-1250MHz	dB	16.0	30.0	—
Coupling Return Loss(S44)	5-1250MHz	dB	18.0	25.0	—
Isolation(S42)	5-1250MHz	dB	30.0	45.0	—