

# 黑土微HTW-011002

75Ω 2 Way-0° Power Splitter

5-1600 MHz

## Features:

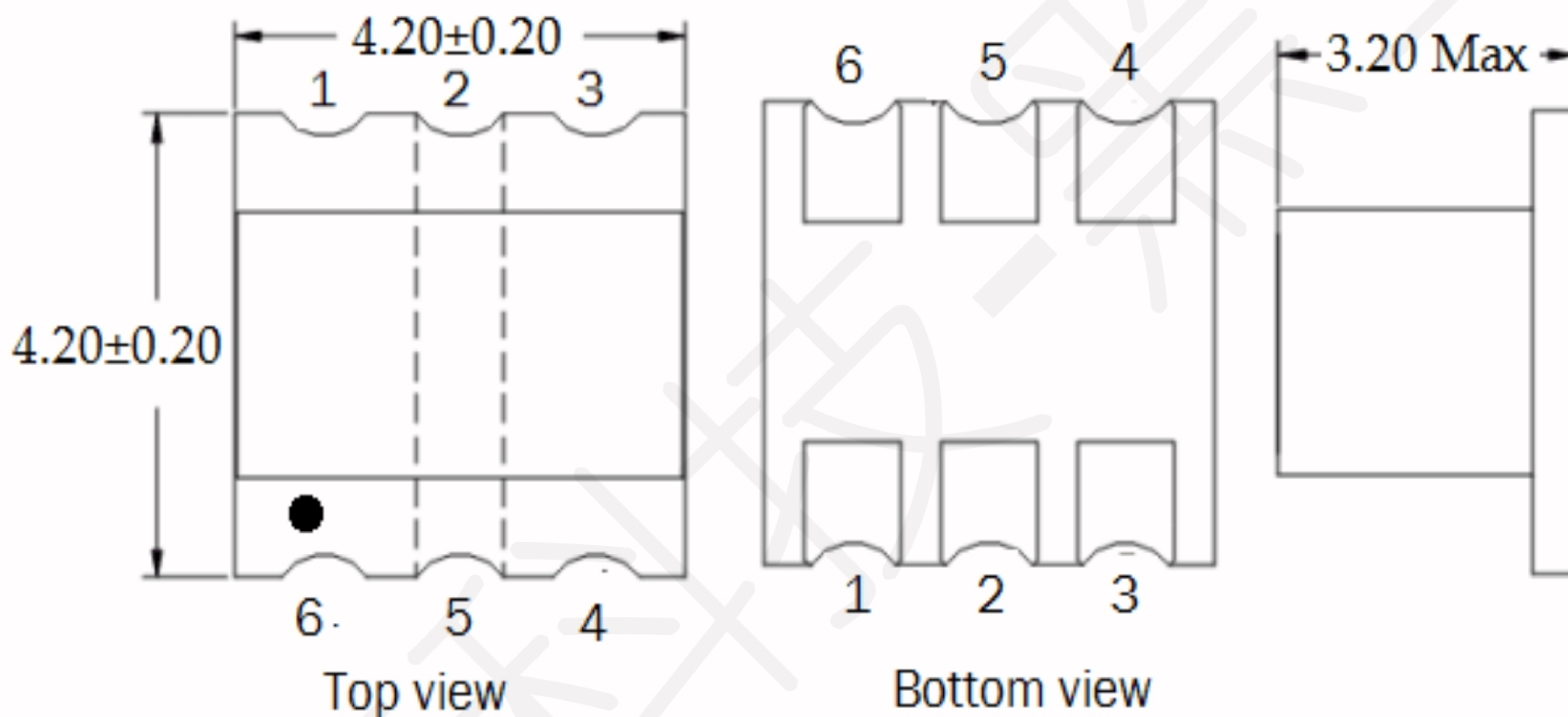


- ◆ Way-0° Power Splitter/Combiner
- ◆ 75Ω Characteristic Impedance
- ◆ Power Input(as a splitter): 0.50W Max
- ◆ DC current: 30mA
- ◆ Operating temperature range: -40°C to +85°C
- ◆ Storage temperature range: -55°C to +100°C



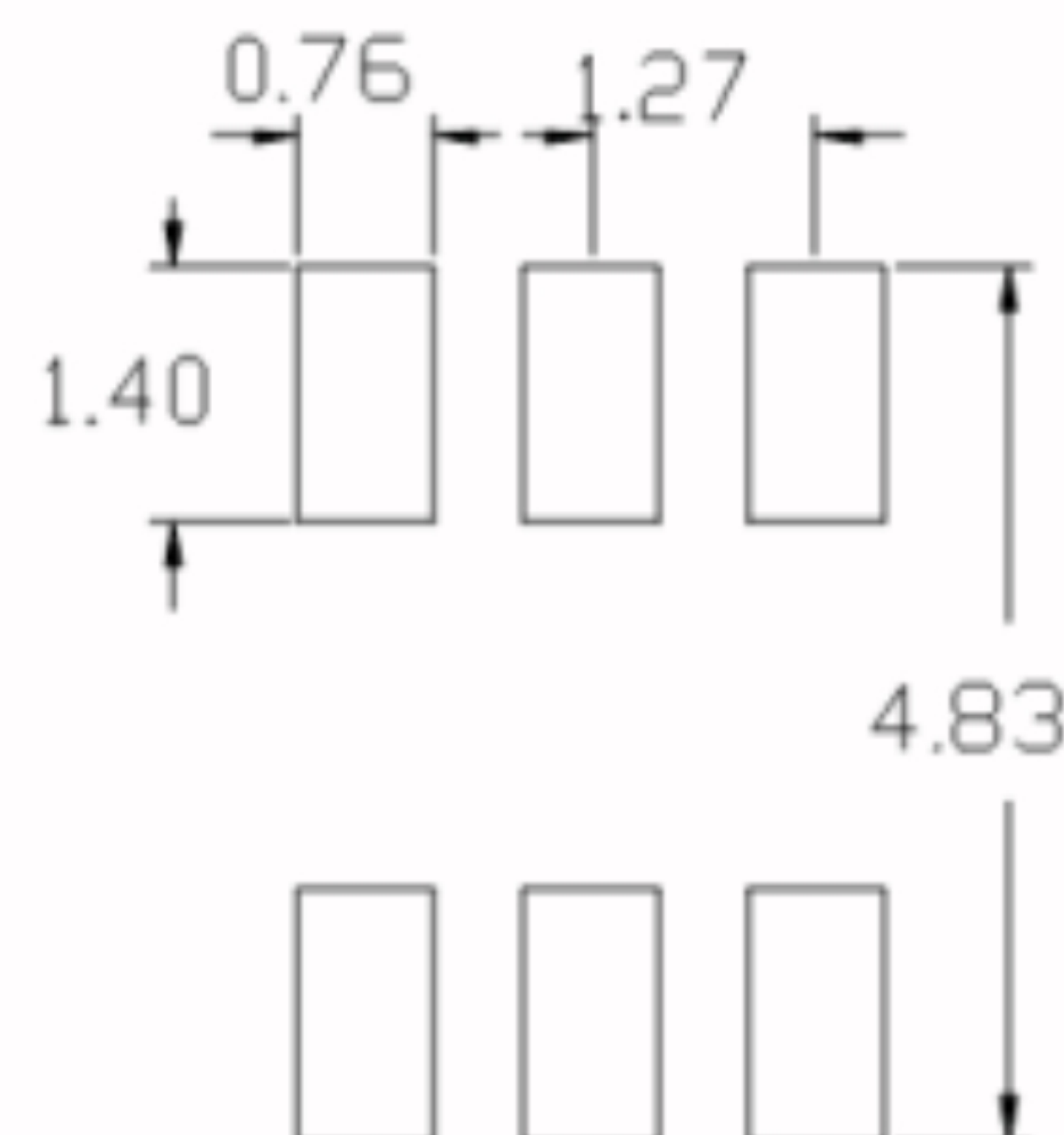
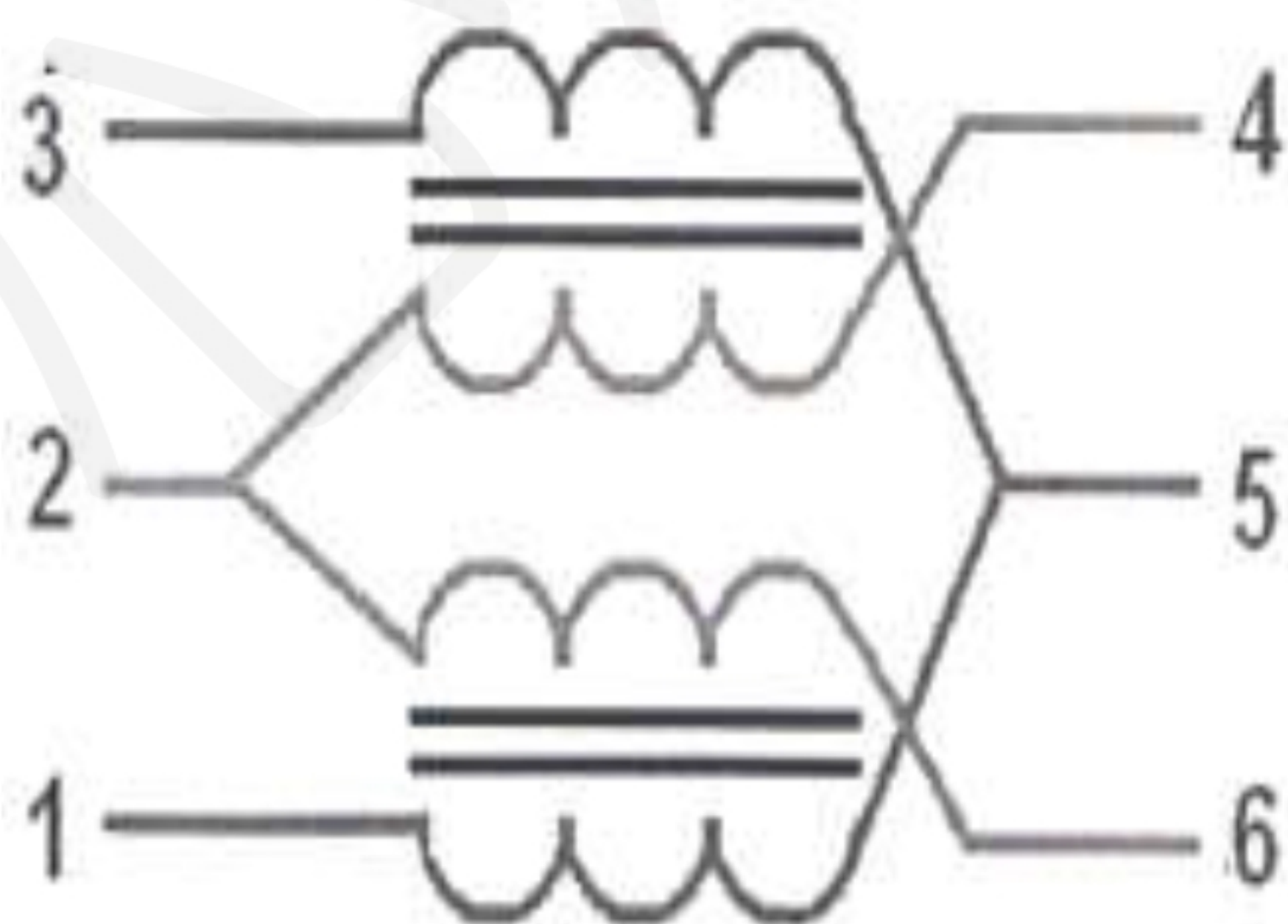
## Applications:

- ◆ For broadband and wireless communications
- ◆ For VHF/UHF receivers/transmitters and push-pull amplifiers



## Electrical structure:

## Recommended layout (mm) :

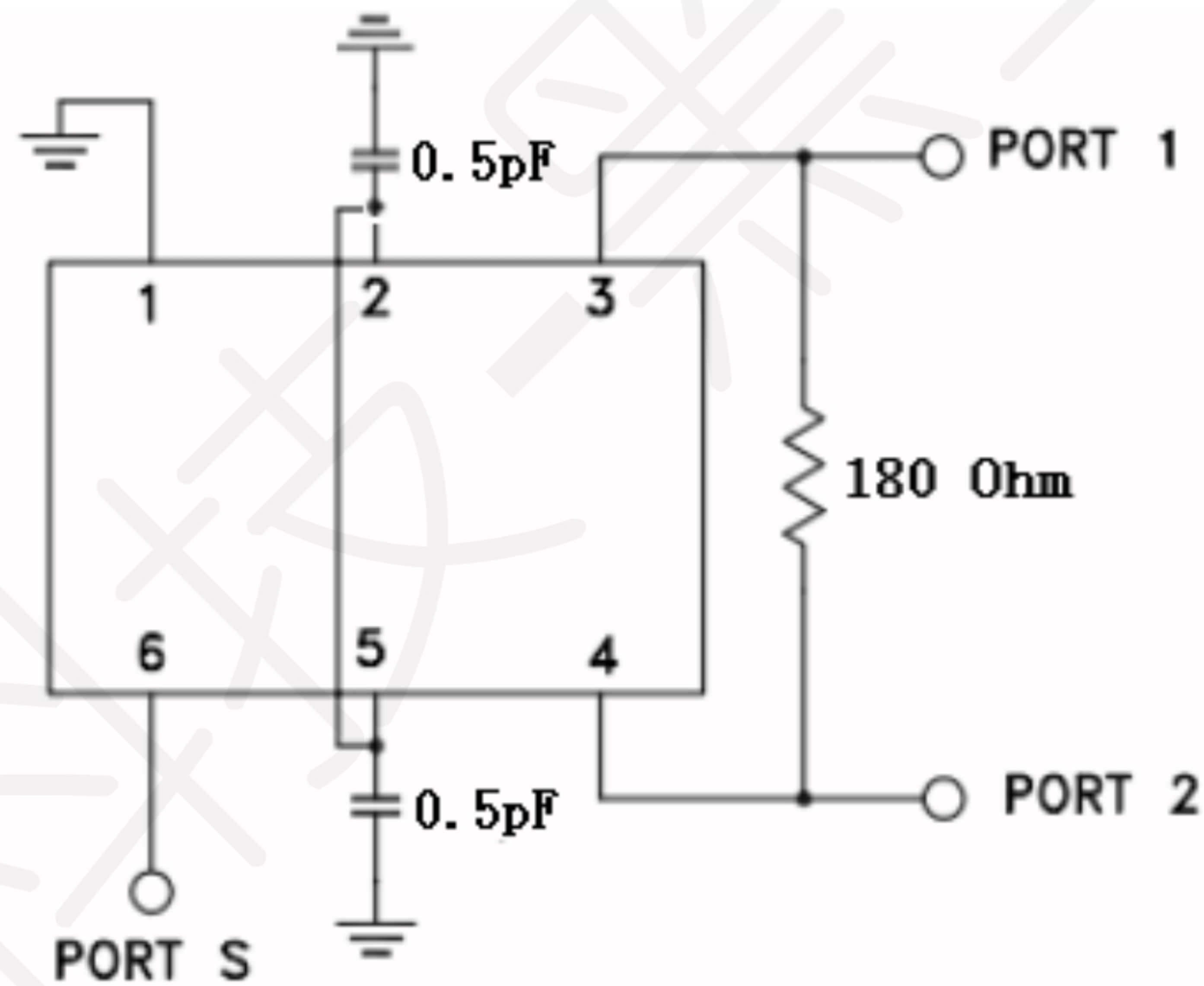


## Pin configuration:



Pin No.	Function
1	Ground
2	External 0.5pF Capacitor
3	Output 2
4	Output 1
5	External 0.5pF Capacitor
6	Input

## Application circuit :

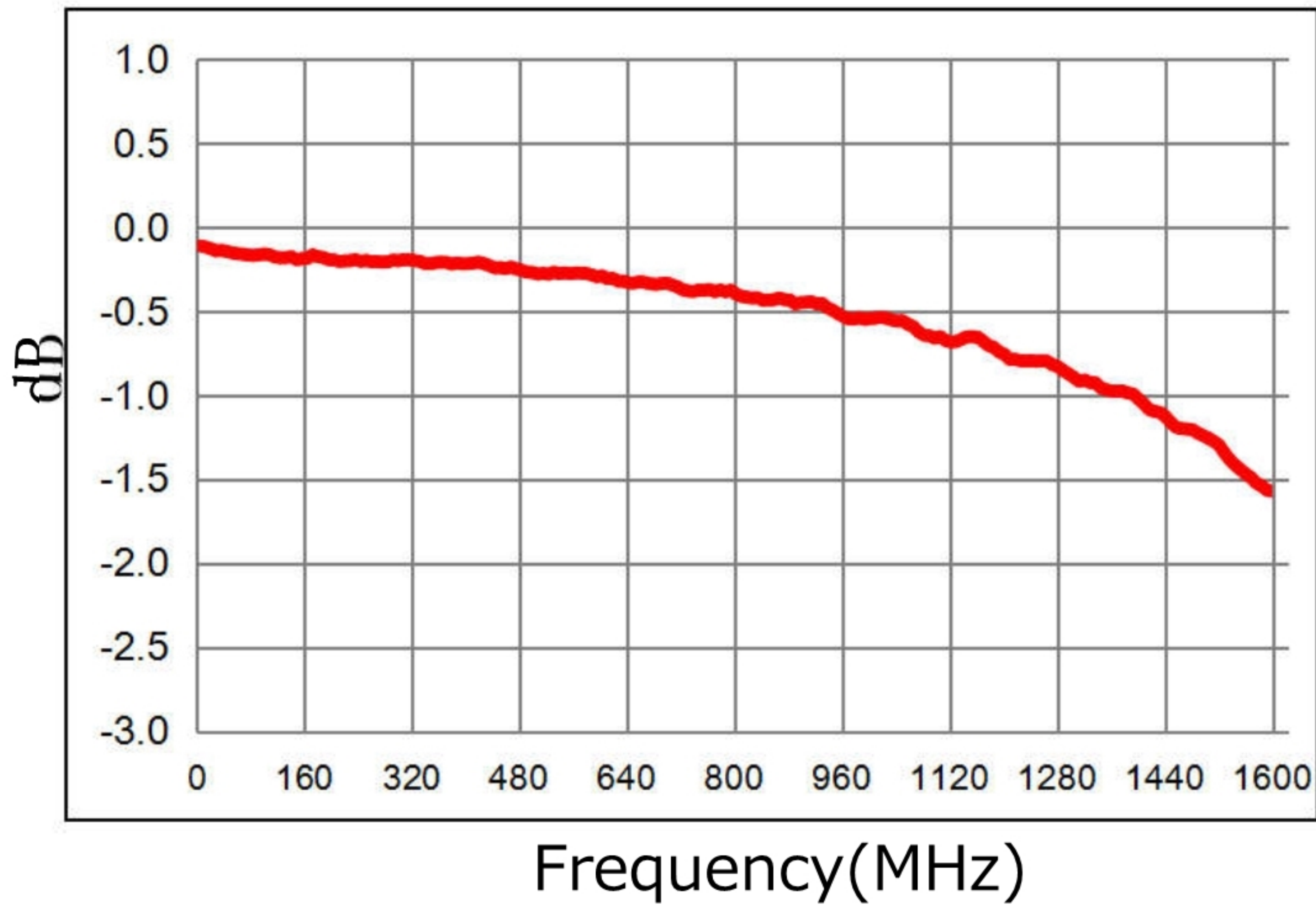


## Electrical Specifications: TA=25°C , 0dBm,Z0=75Ω

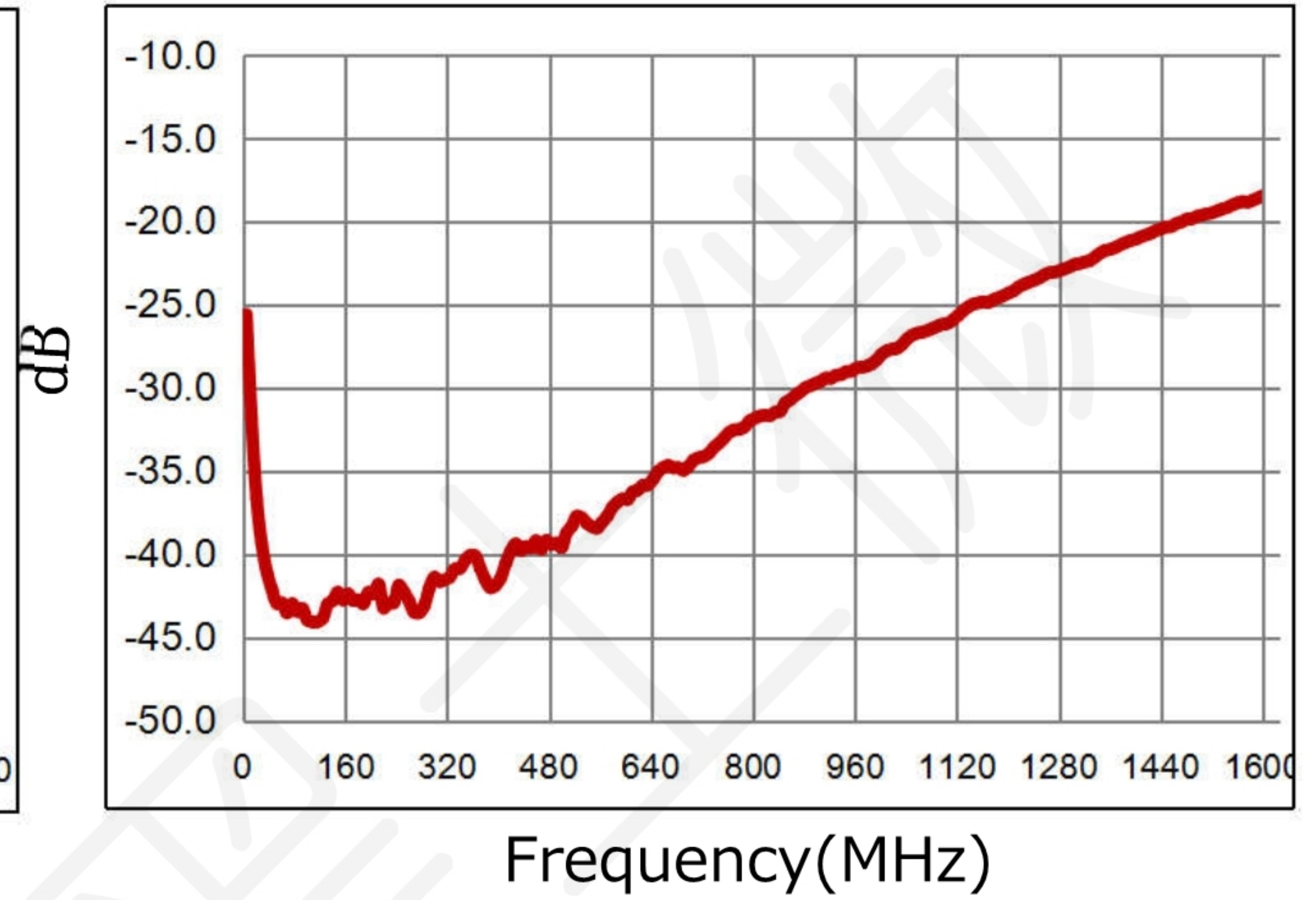
Parameter	Test Conditions	Units	Min	Typ	Max
Main line Loss(out1)	5-1250MHz	dB	—	0.4	1.2
	1250-1600MHz	dB	—	1.4	2.0
Main line Loss(out2)	5-1250MHz	dB	—	0.6	1.5
	1250-1600MHz	dB	—	2.0	3.0
Input Return Loss	5-1250MHz	dB	16.0	26.0	—
	1250-1600MHz	dB	9.0	18.0	—
Output 1 Return Loss	5-1250MHz	dB	16.0	30.0	—
	1250-1600MHz	dB	12.0	17.0	—
Output 2 Return Loss	5-1250MHz	dB	15.0	25.0	—
	1250-1600MHz	dB	10.0	12.0	—
Isolation	5-1600MHz	dB	20.0	35.0	—
	5-1600MHz	dB	16.0	20.0	—



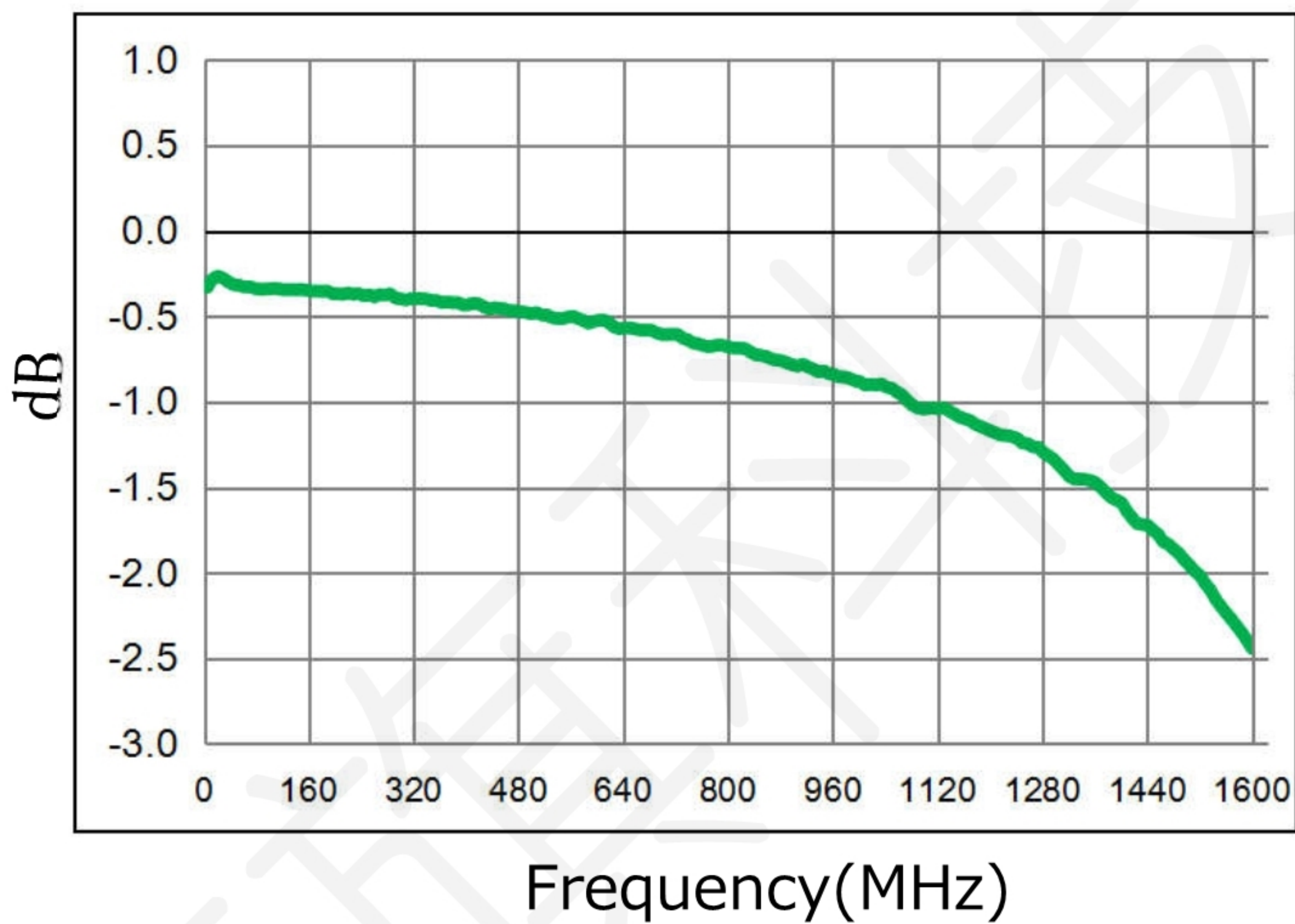
### Main line Loss(Pin6-4)



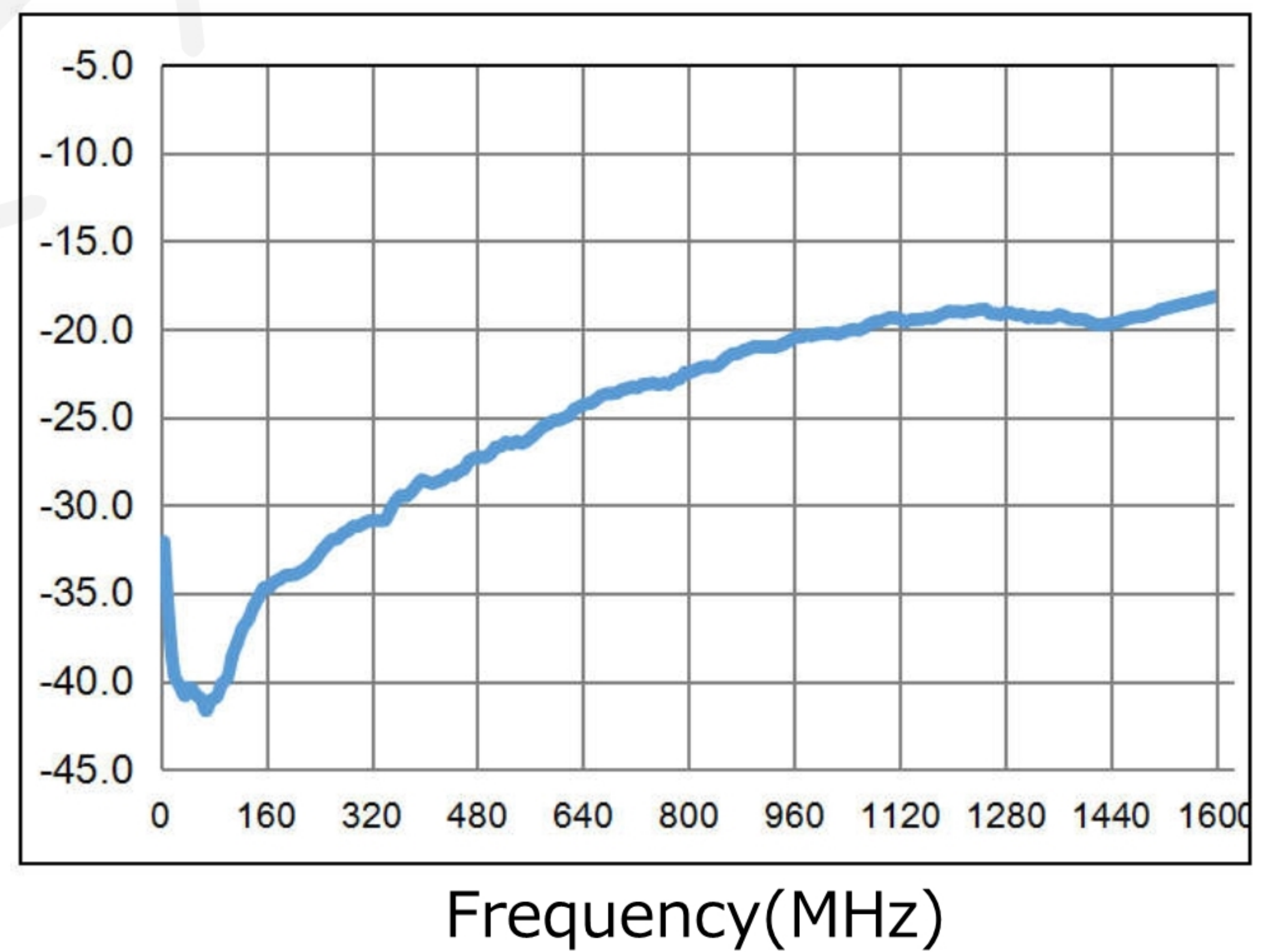
### Isolation(Pin4-3)



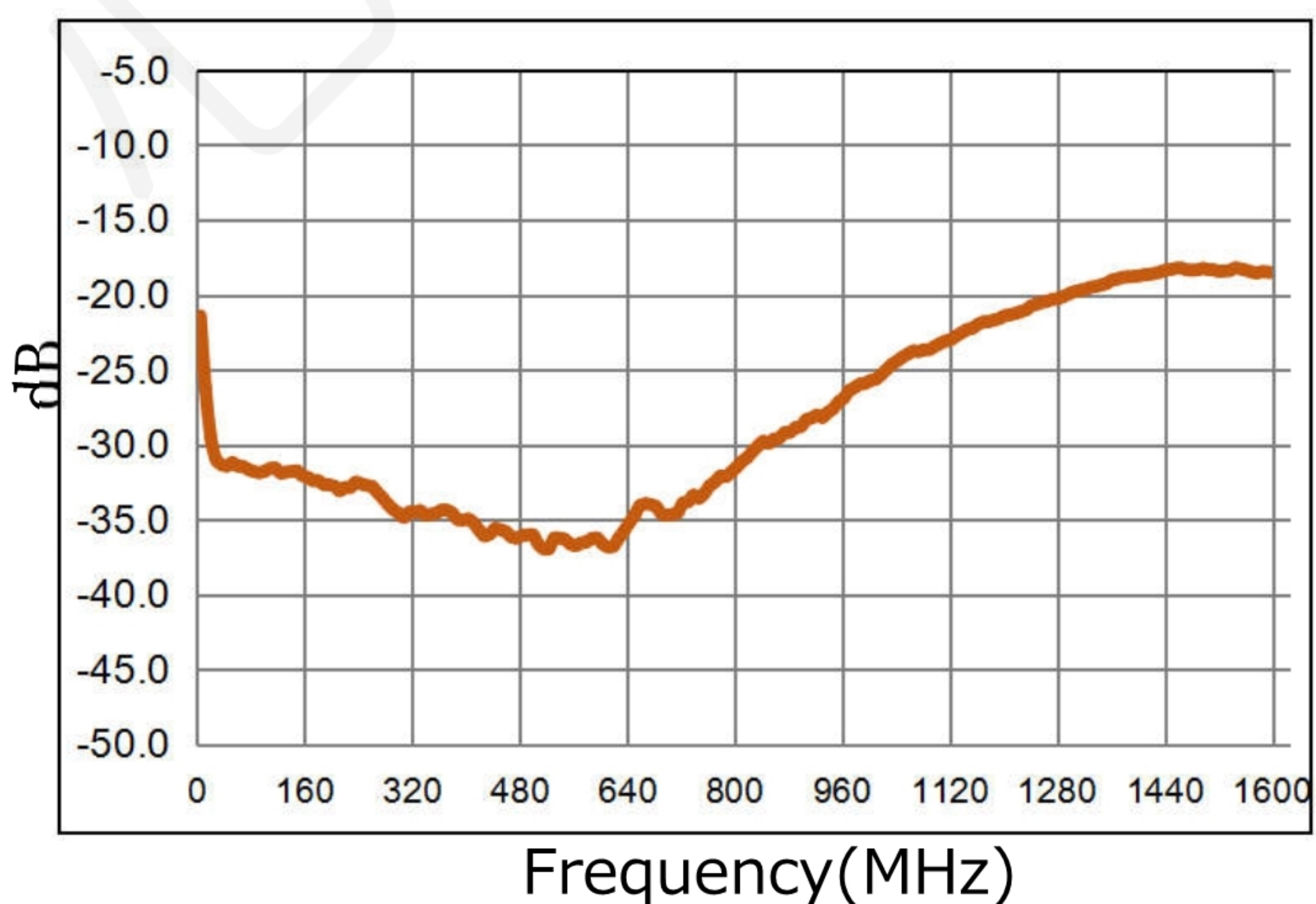
### Main line Loss(Pin6-3)



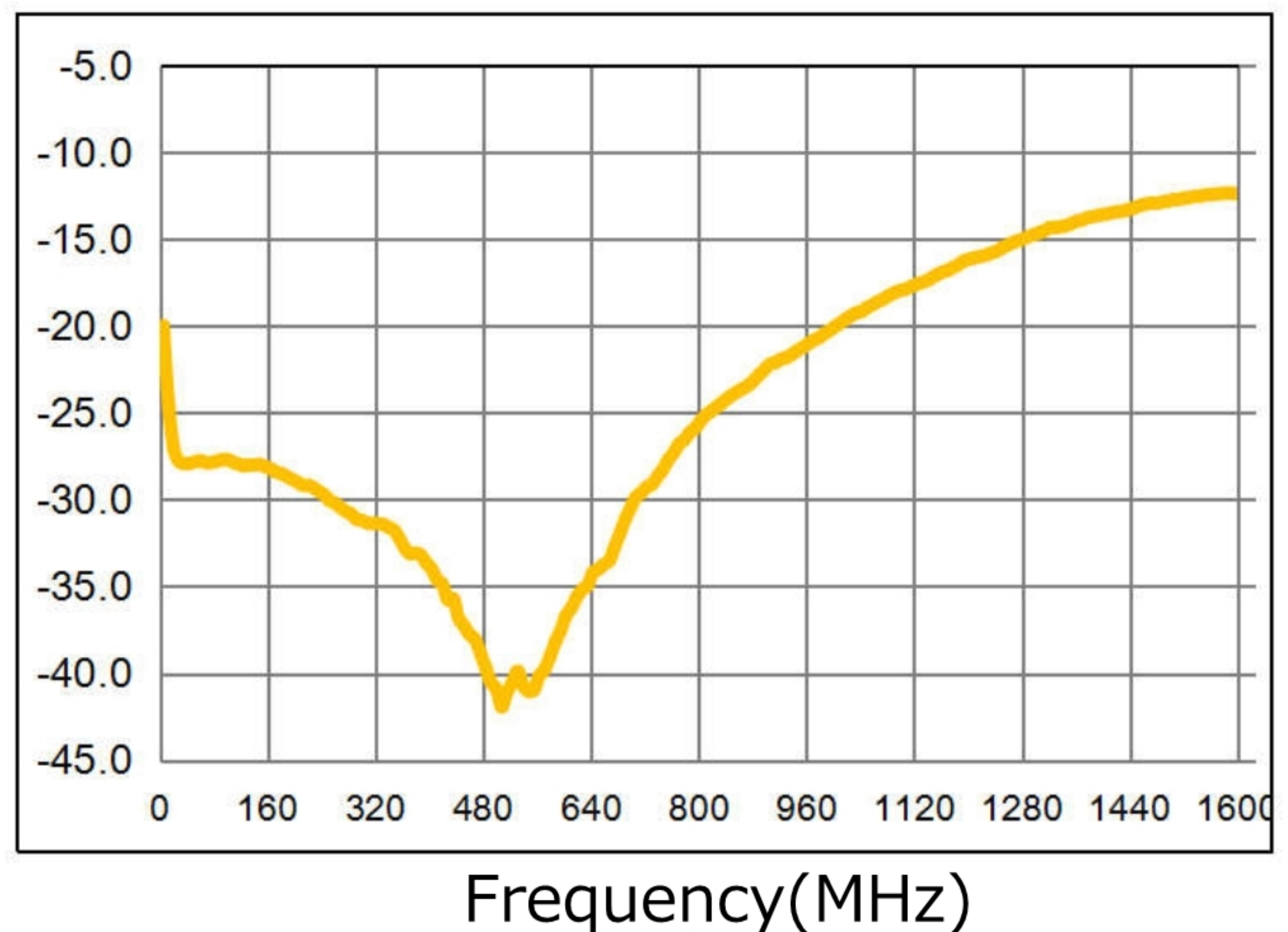
### Input Return Loss(Pin6)



### Output 1 Return Loss(Pin4)



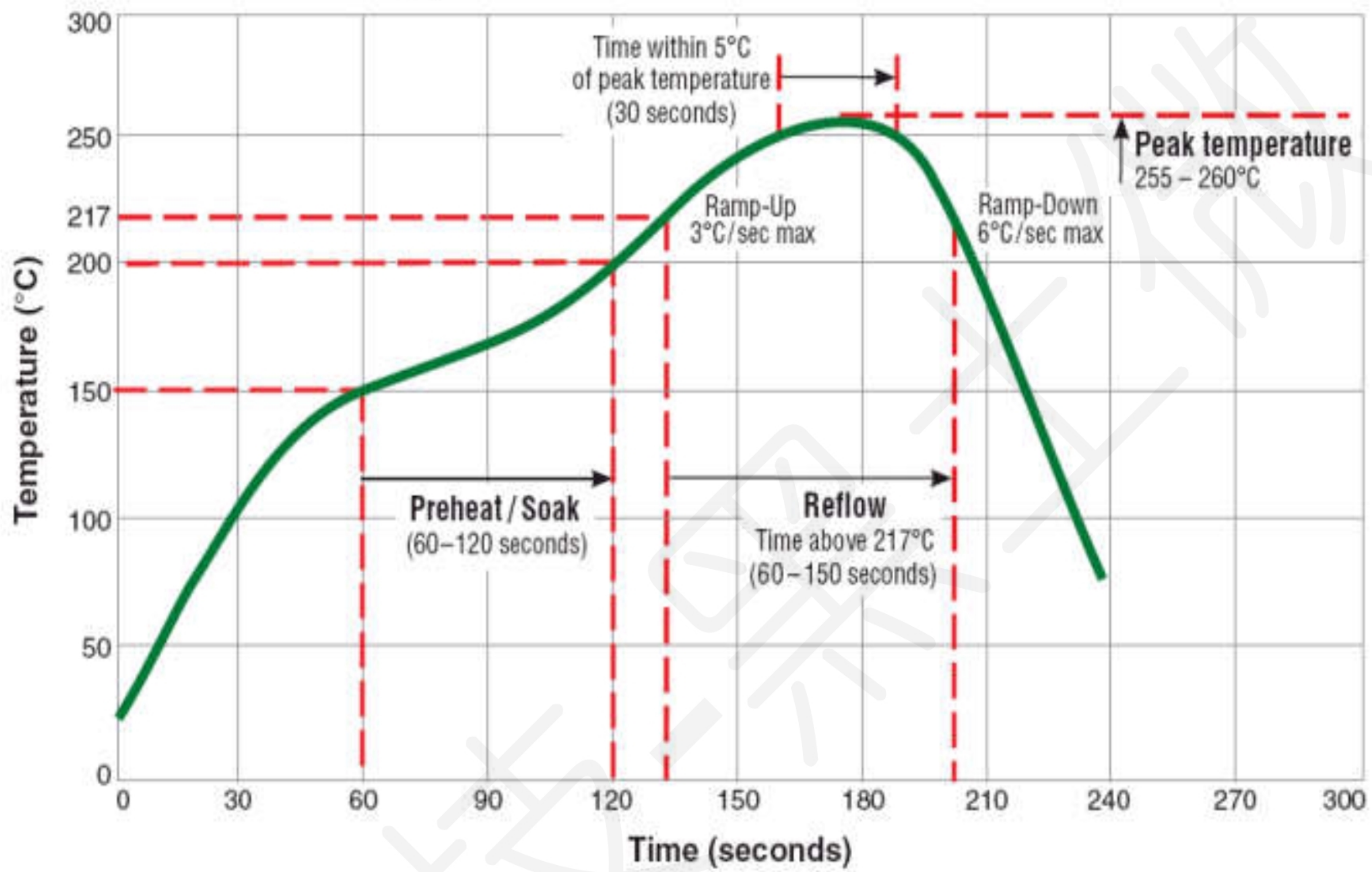
### Output 2 Return Loss (Pin3)



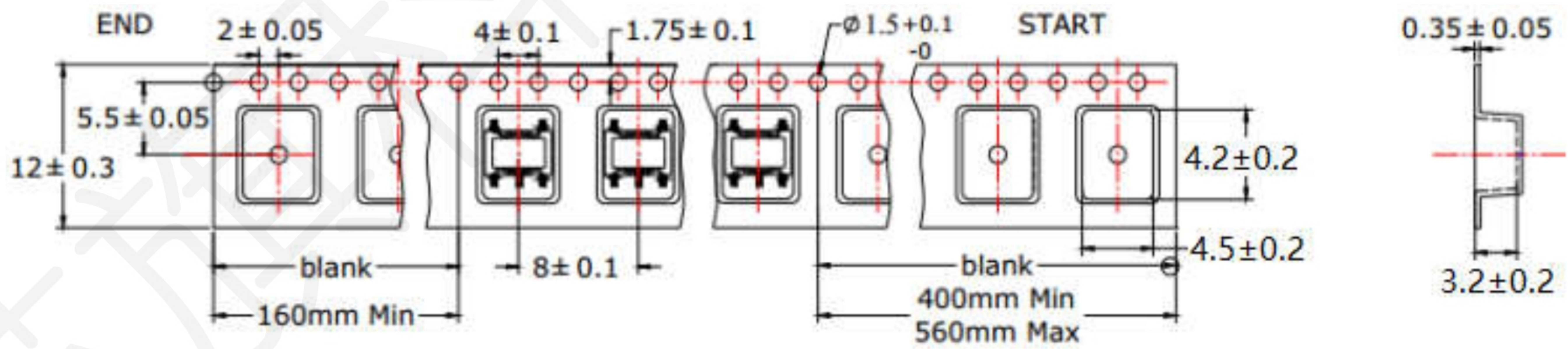
## Recommended Soldering Temperature Graph:



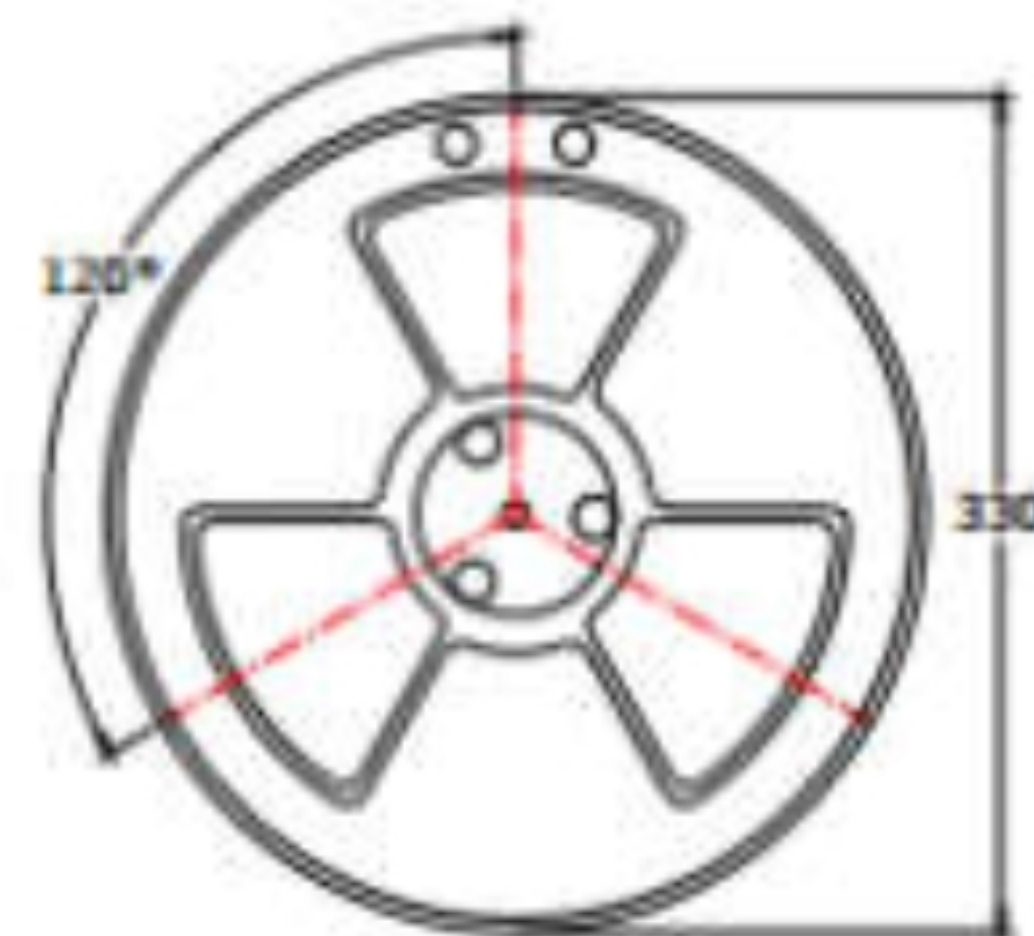
### Typical RoHS Reflow Profile



## Packing Dimension For Caeier Tape(UNIT:mm):



QUANTITY
2000PCS/Reel
4 Reels/Middle Carton Middle Carton:
4 Middle Cartons/Big Carton
32000PCS/ Big Carton



SPEC	8	12	16	24
DIM A $\pm 0.1$	8.5	12.5	16.5	24.5
DIM B $\pm 0.1$	2.3	2.3	2.3	2.3
DIM C $\pm 0.1$	100	100	100	100

