

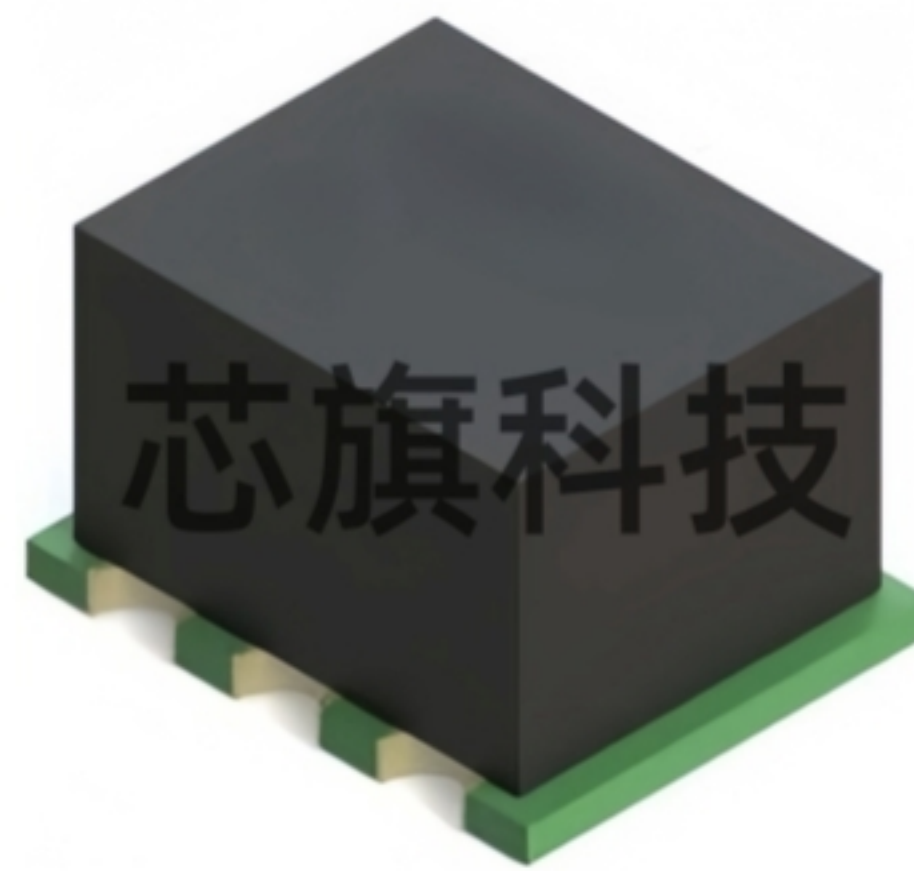
Power Splitter/Combiner

HTW-008108-055

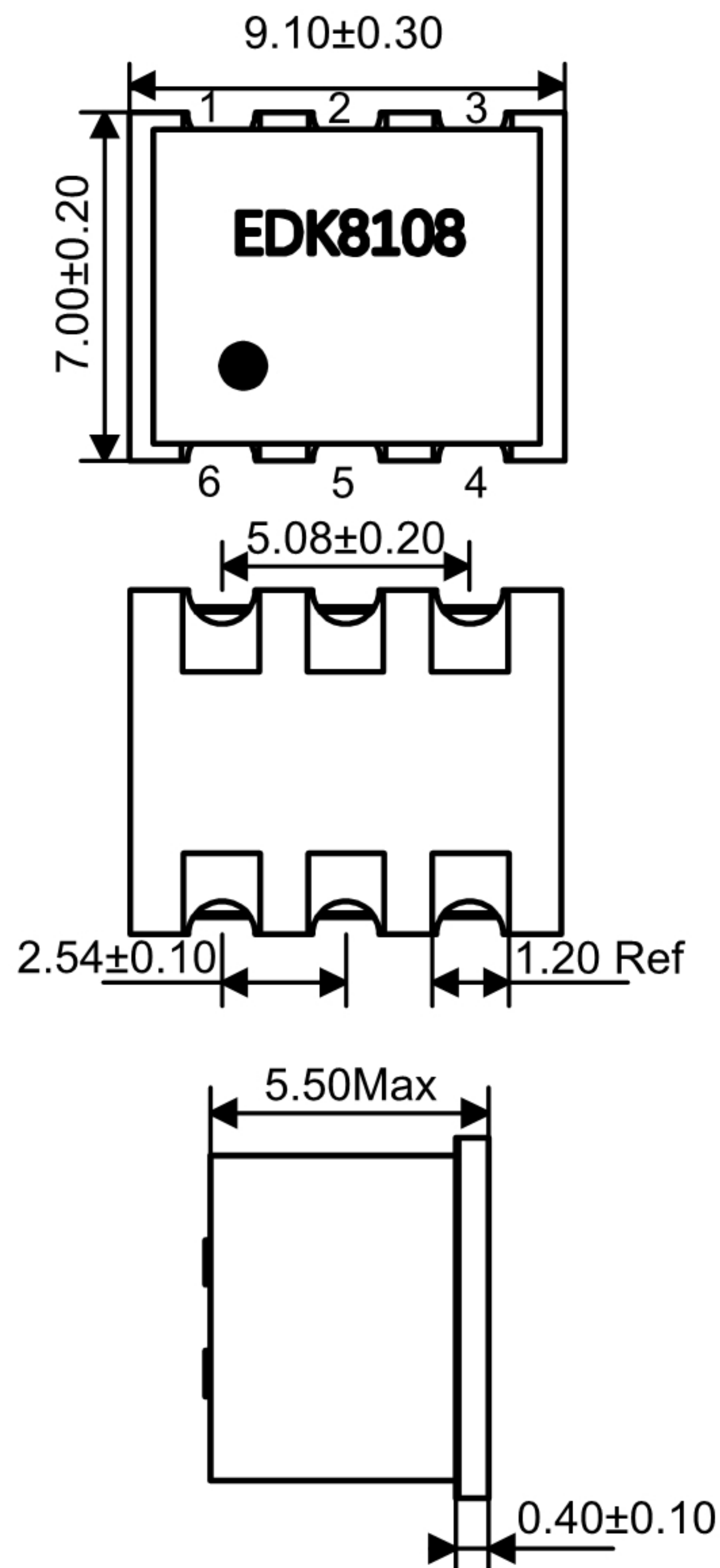


75Ω 2 Way-0° Power Divider

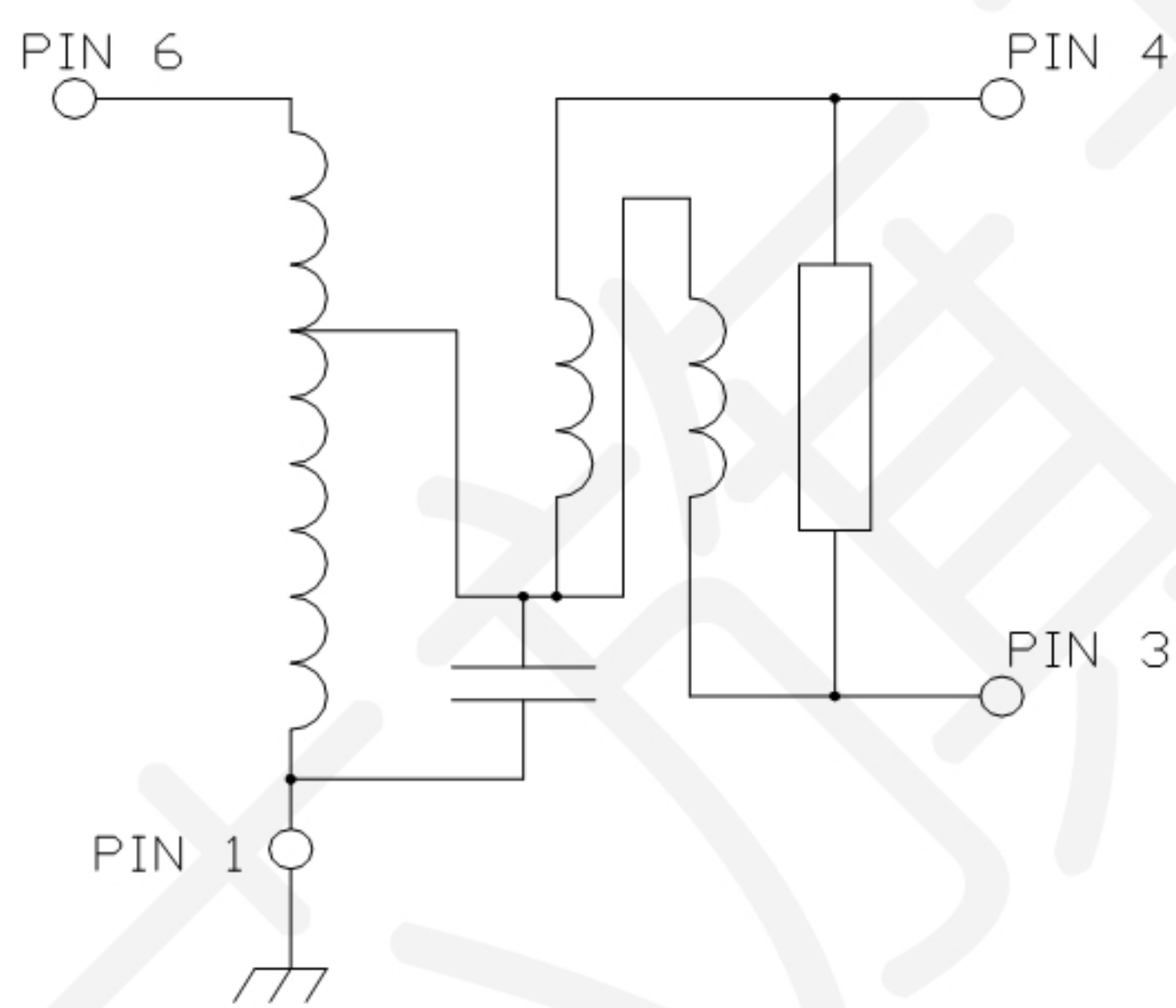
5-1000 MHz



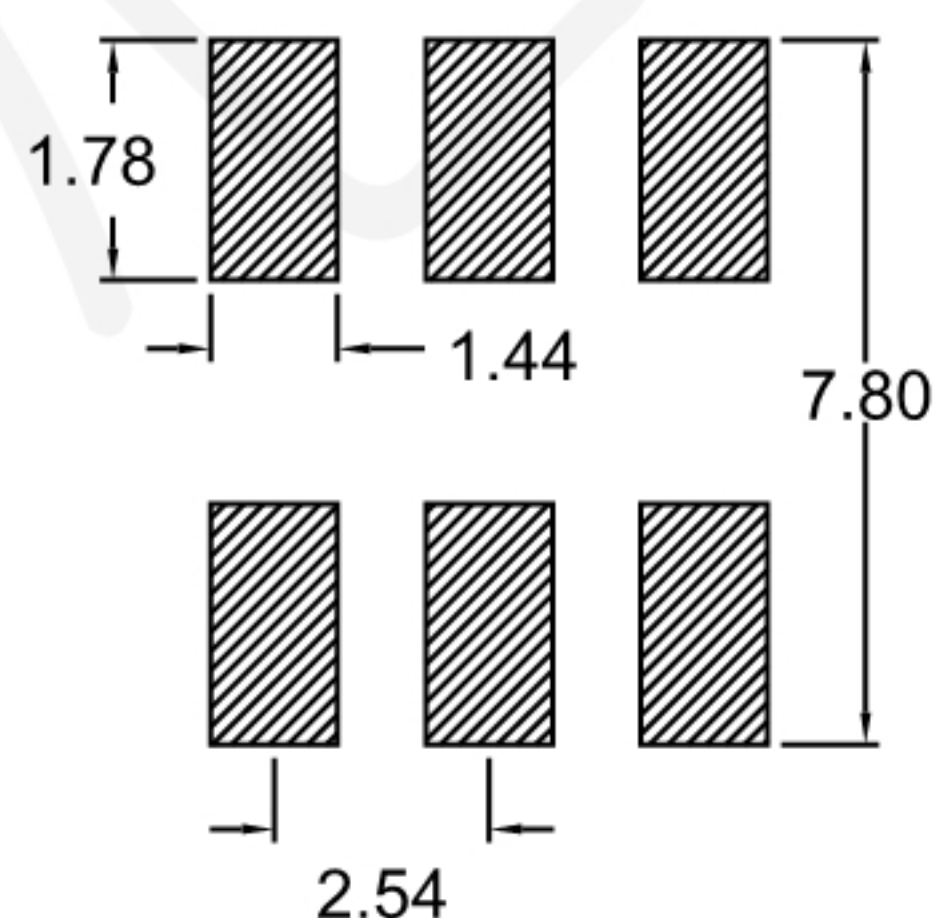
Outline Drawing(mm)



Schematic



Recommended layout(mm)



Pin Connections

Input Port	6
Output Port 1	4
Output Port 2	3
Ground	1
Not connected	2,5

Features

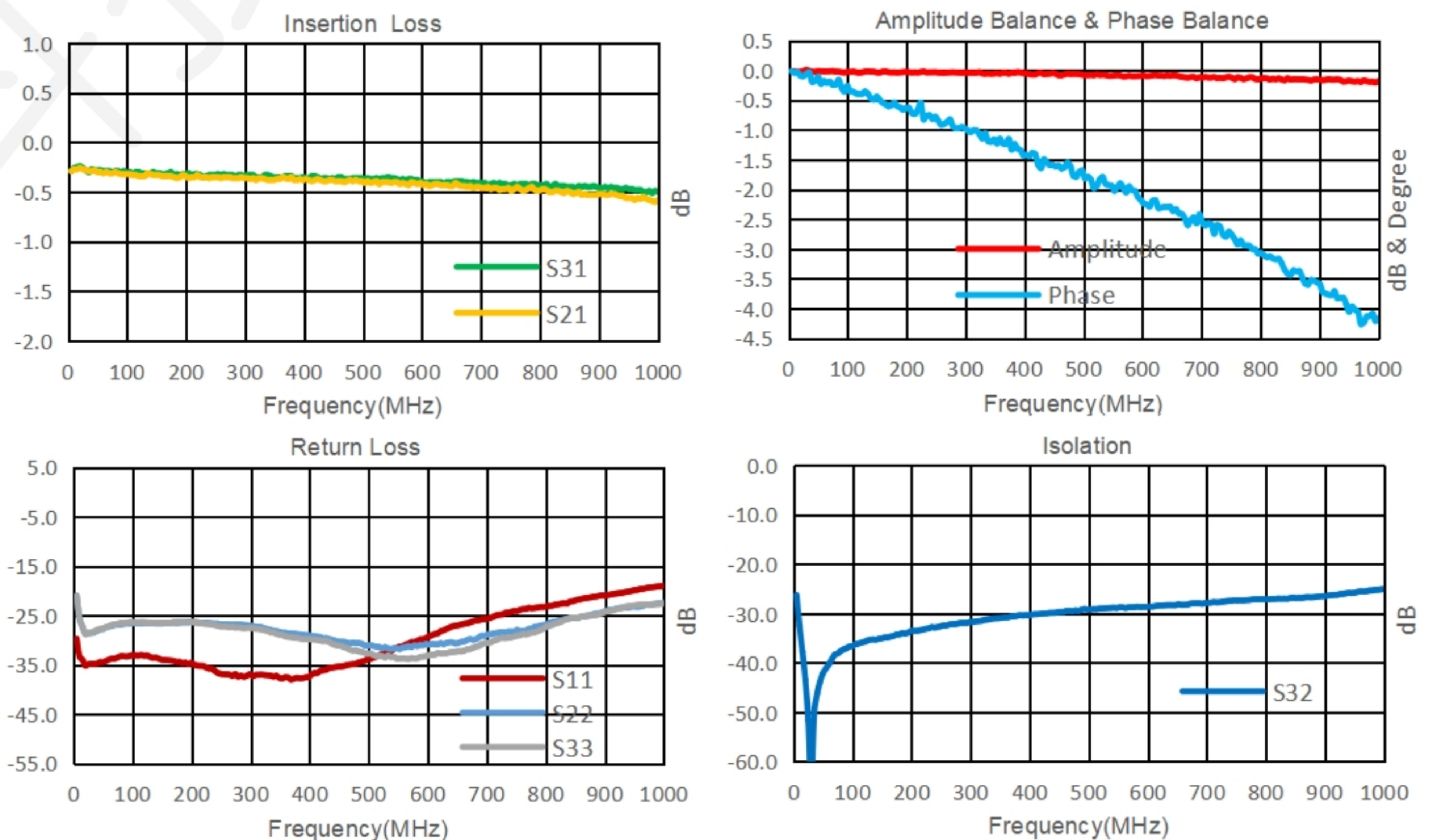
- RF Power: 1.0W
- DC current:240mA
- 2 Way, 0 Degree
- RoHS* Compliant
- 260°C Reflow Compatible
- Operating temperature range: -40°C to +85°C
- Storage temperature range: -55°C to +100°C

Applications

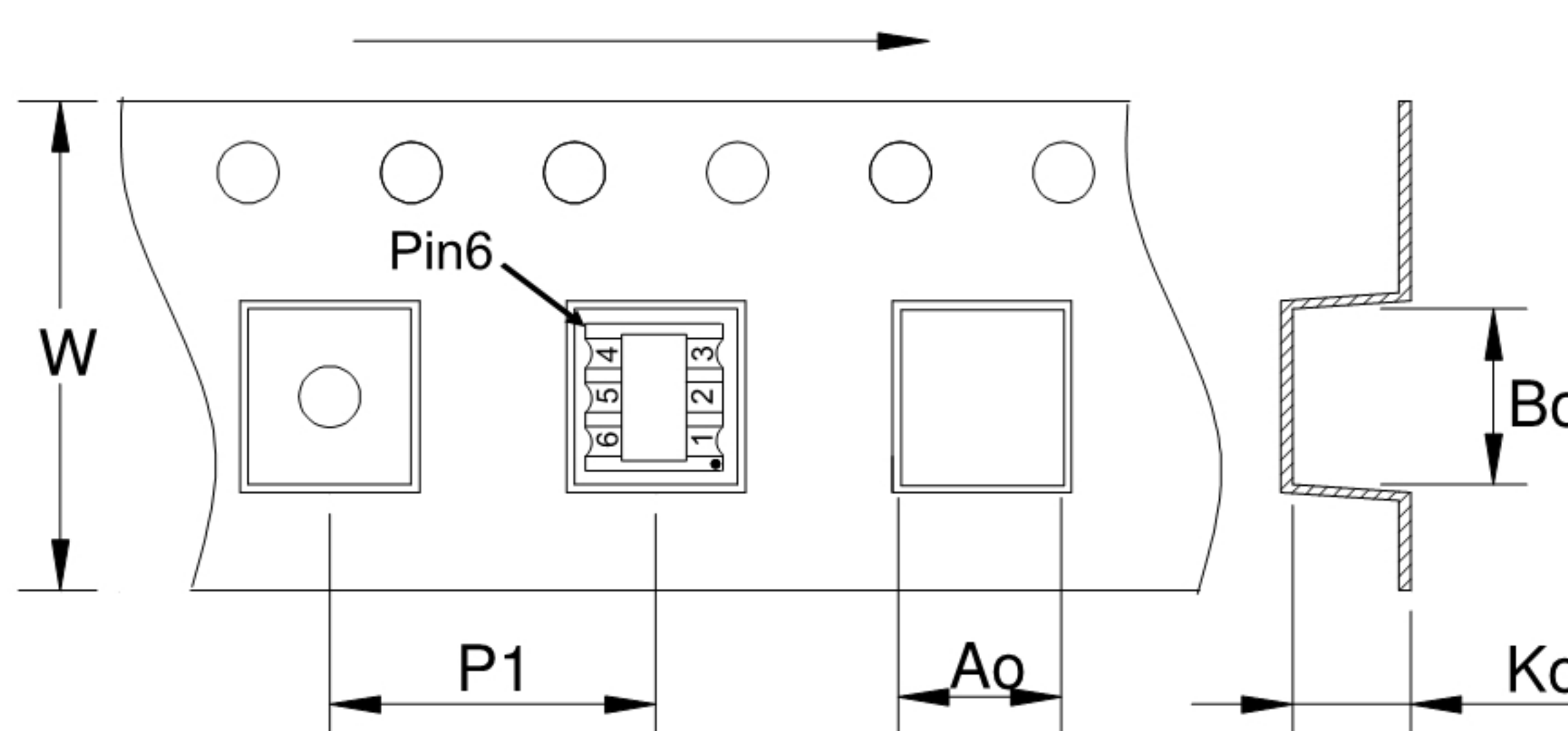
- For Docsis 3.0 & 3.1 Cable Modem.
- For Wideband Push-pull Amplifiers.
- For CATV Amplifiers Module & Set top box.
- For CATV Optical Receivers and Amplifiers.
- For VHF/UHF Transmitters and Push-pull Amplifiers.

Electrical Specifications:TA=25°C, 0dBm, Z0=75Ω

Parameter	Test Conditions	Units	Min	Typ	Max
Port 1 Loss(S21)	5-1000MHz	dB	—	0.40	1.20
Port 2 Loss(S31)	5-1000MHz	dB	—	0.30	1.00
Amplitude Unbalance	5-1000MHz	dB	—	0.20	0.60
Phase Unbalance	5-1000MHz	°	—	—	6.00
Input Return Loss(S11)	5-1000MHz	dB	16.0	35.0	—
Port1 Return Loss(S22)	5-1000MHz	dB	16.0	26.0	—
Port2 Return Loss(S33)	5-1000MHz	dB	16.0	26.0	—
Isolation(S32)	5-1000MHz	dB	18.0	30.0	—



Carrier Tape Orientation



Tape & Reel Information

Parameter	Units	Value
Qty per reel	PCS	700
Reel Size	mm	330
Tape Width	mm	24.00
Pitch	mm	12.00
Ao	mm	9.20
Bo	mm	8.10
Ko	mm	5.50