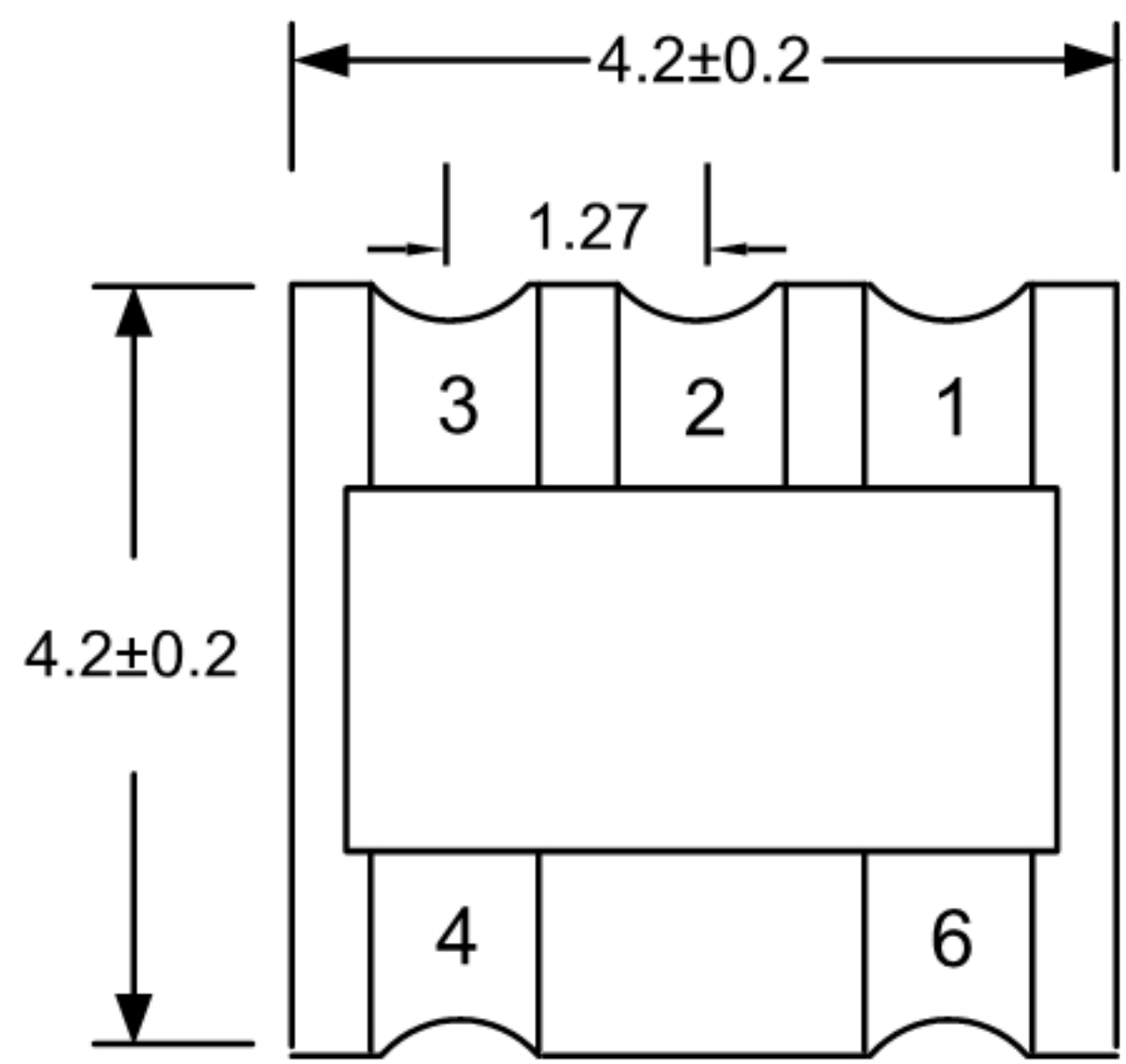


# RF Balun Transformer HTW-0040-33

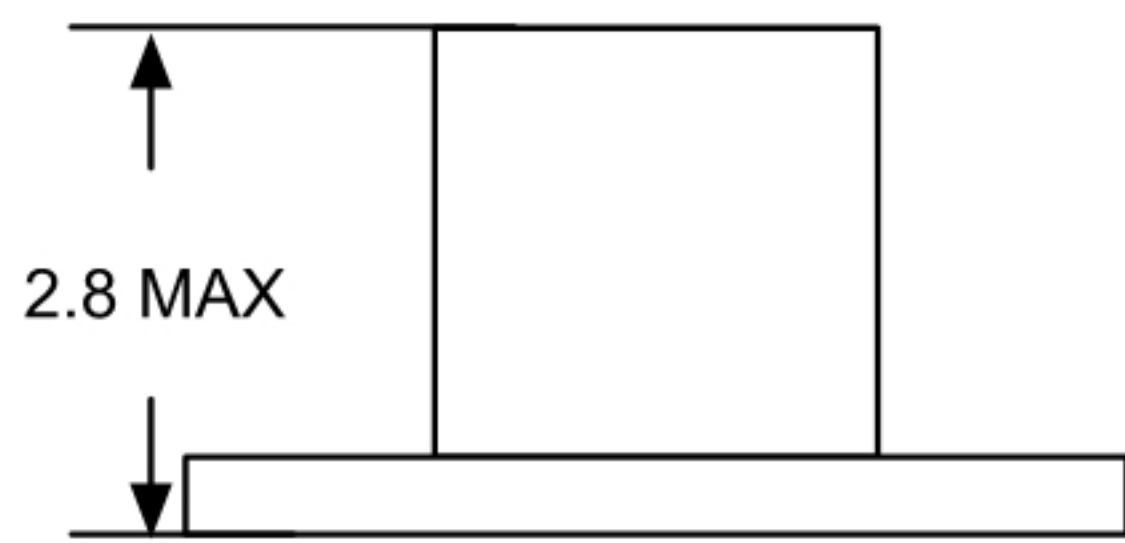
75Ω 1:1 Transmission Line Transformer 5-1250 MHz



## Outline Drawing(mm)

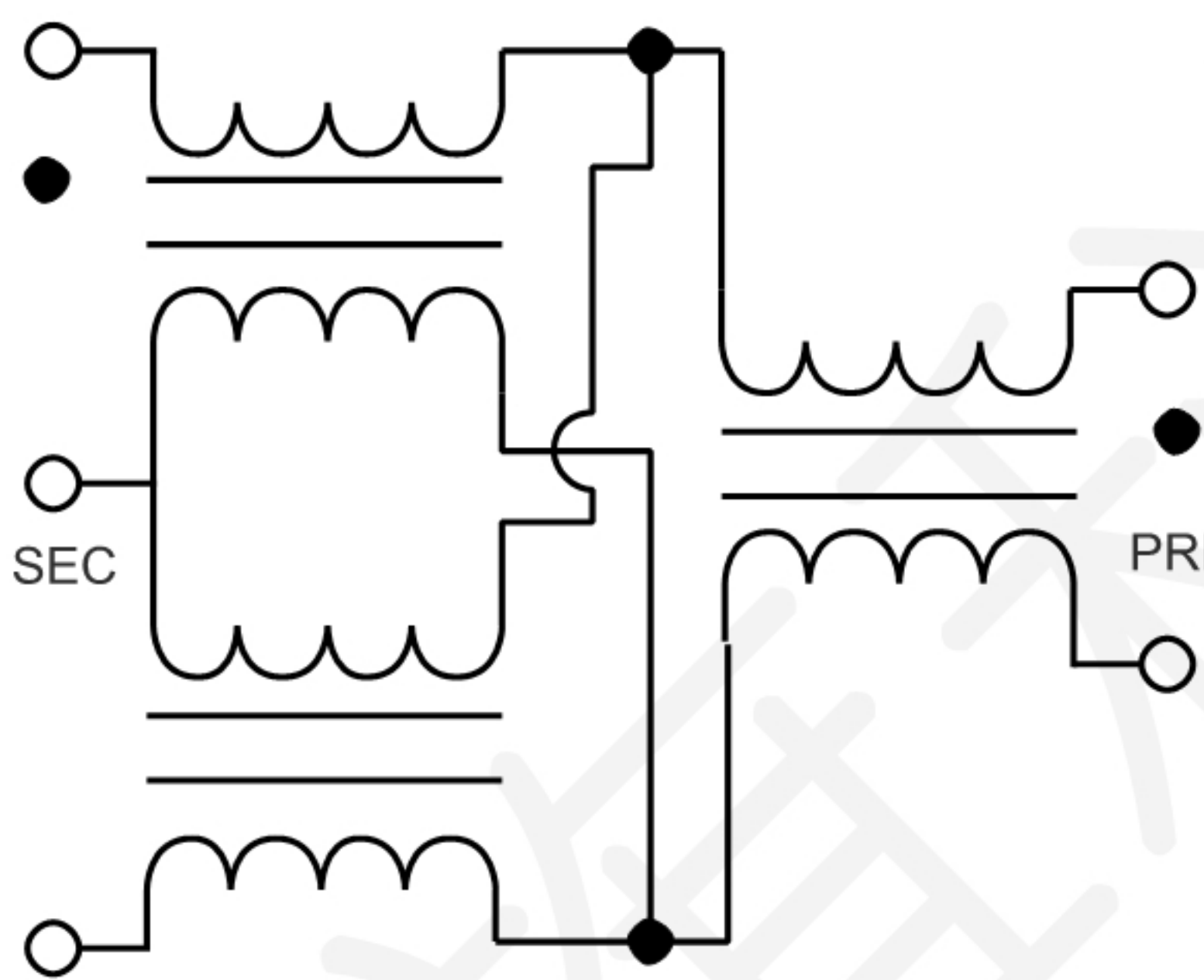


Top View

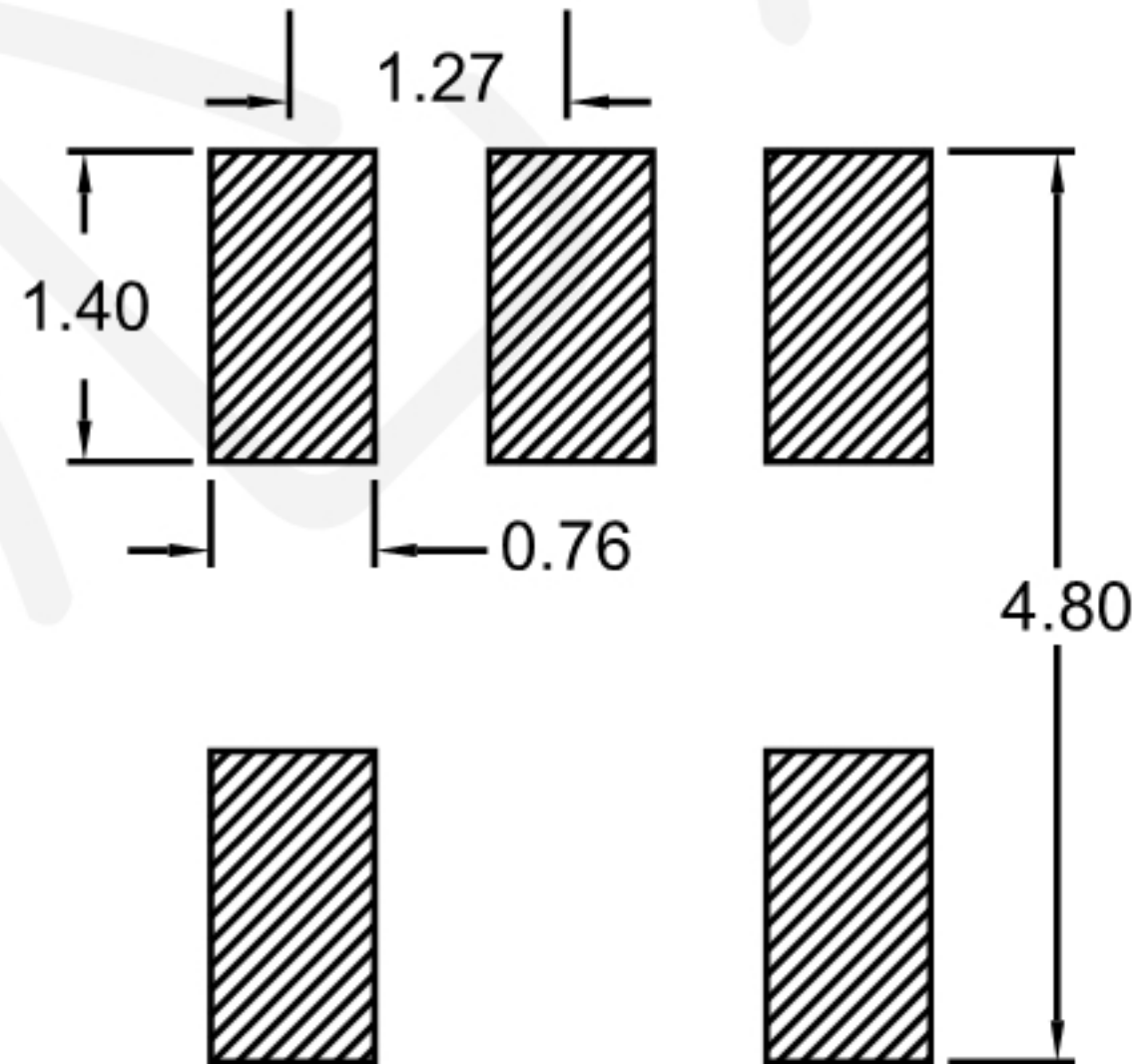


## Electrical structure

Fig 1



## Recommended layout(mm)



## Pin Connections

Input	4
Output 1	3
Output 2	1
Ground	2,6

## Features

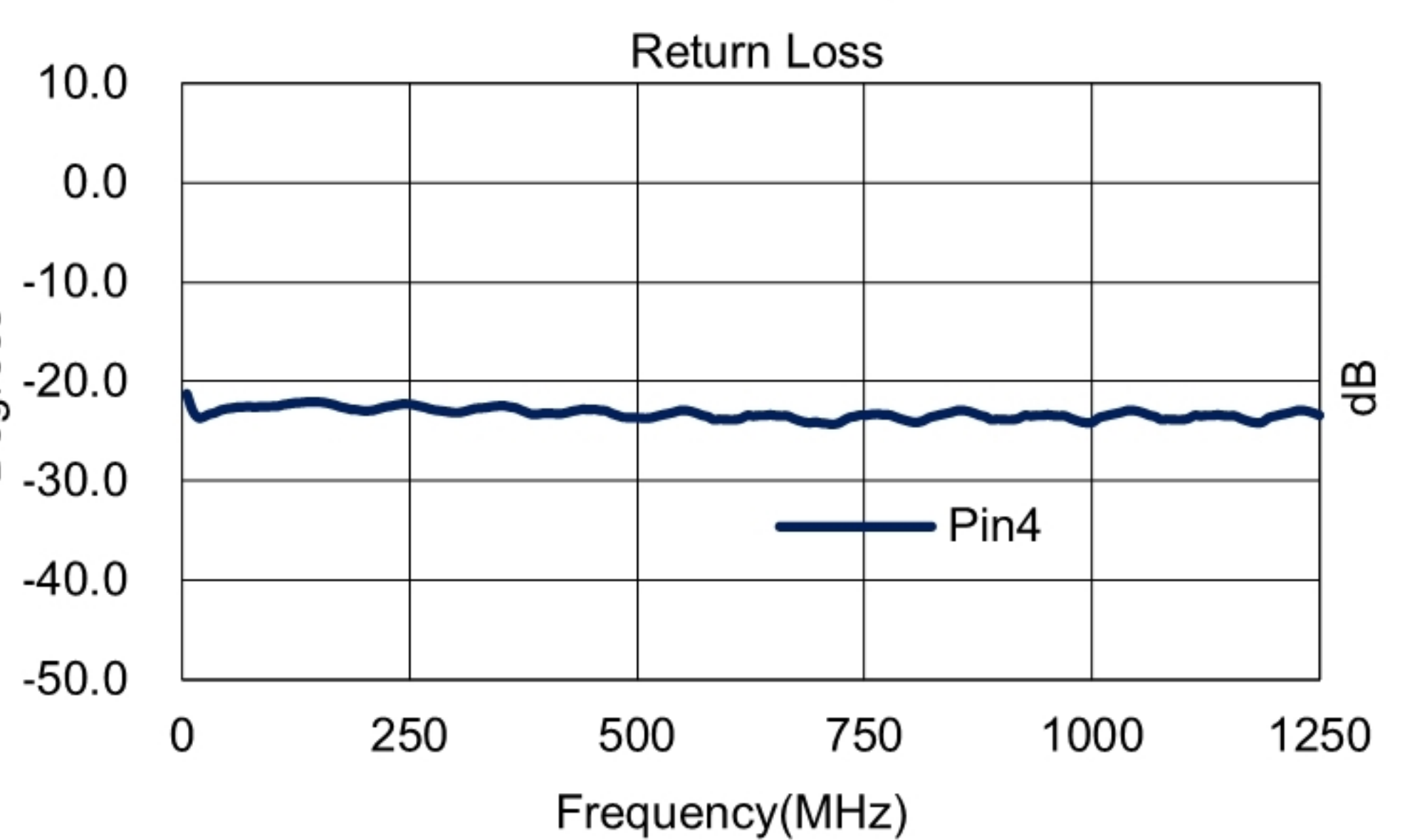
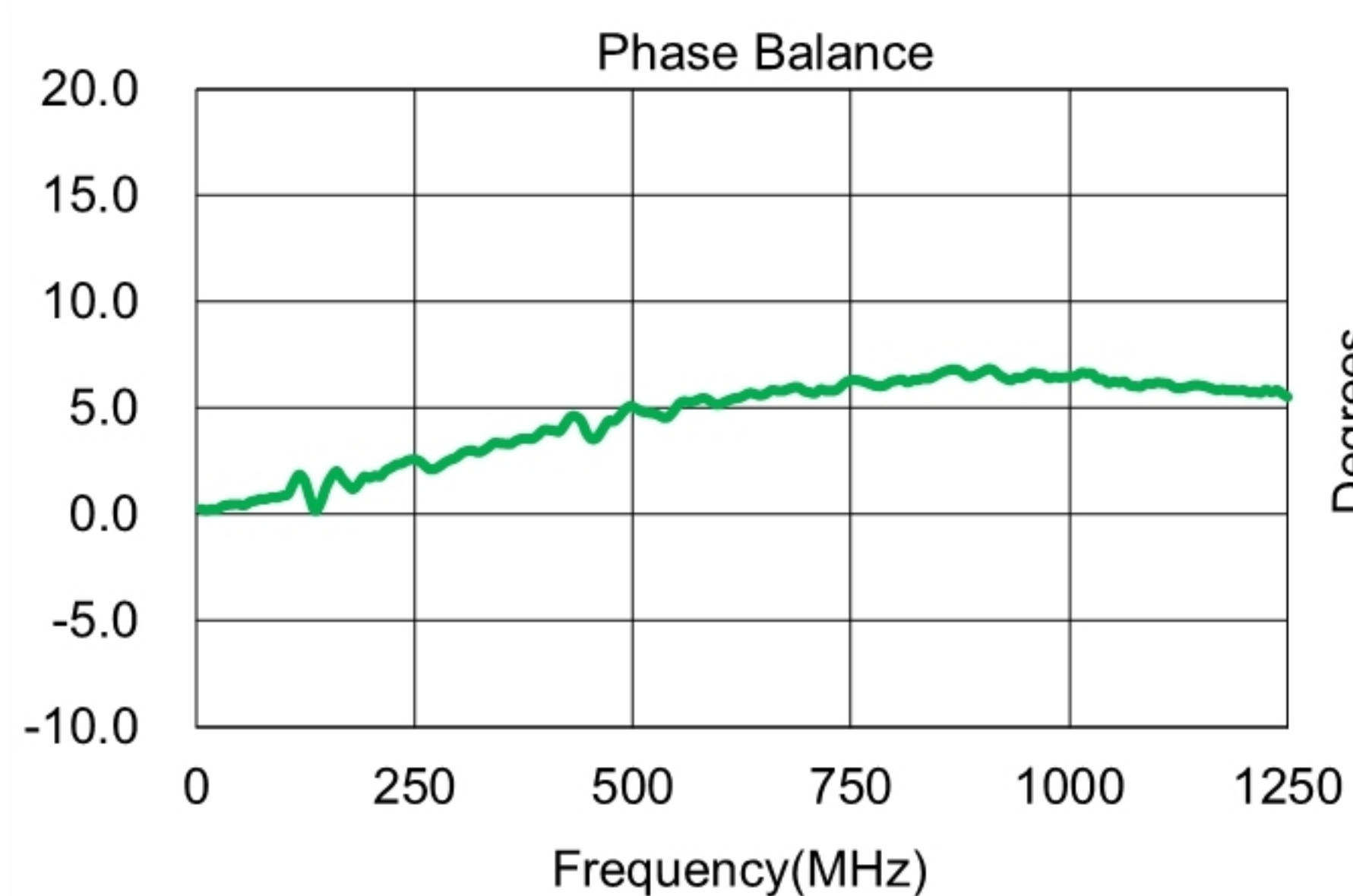
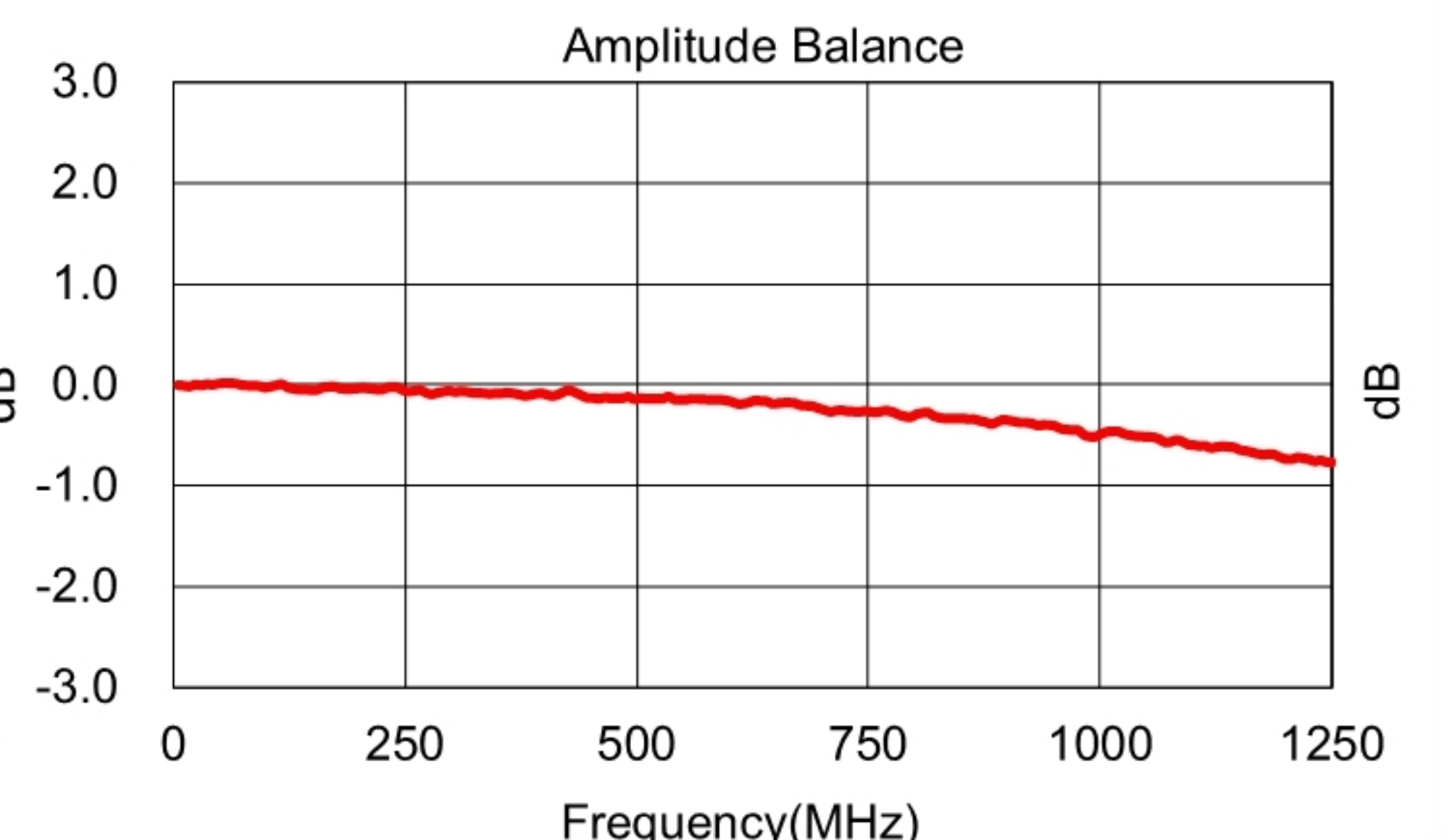
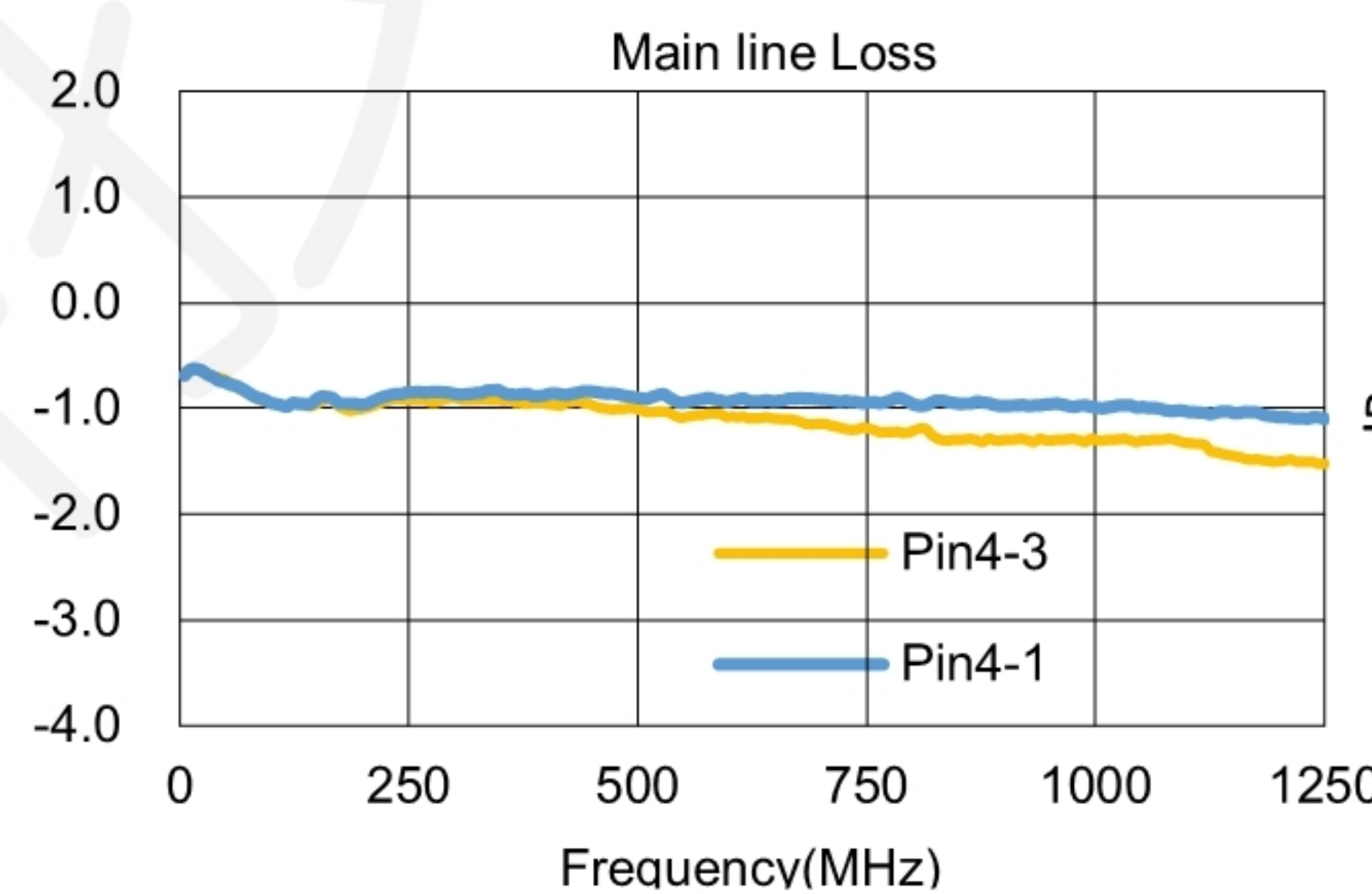
- Operating temperature range: -40°C to +85°C
- Storage temperature range: -55°C to +100°C
- 260°C Reflow Compatible
- RoHS compliant and lead free
- Input Power: 500mW Max
- DC Current: 500mA Max

## Applications

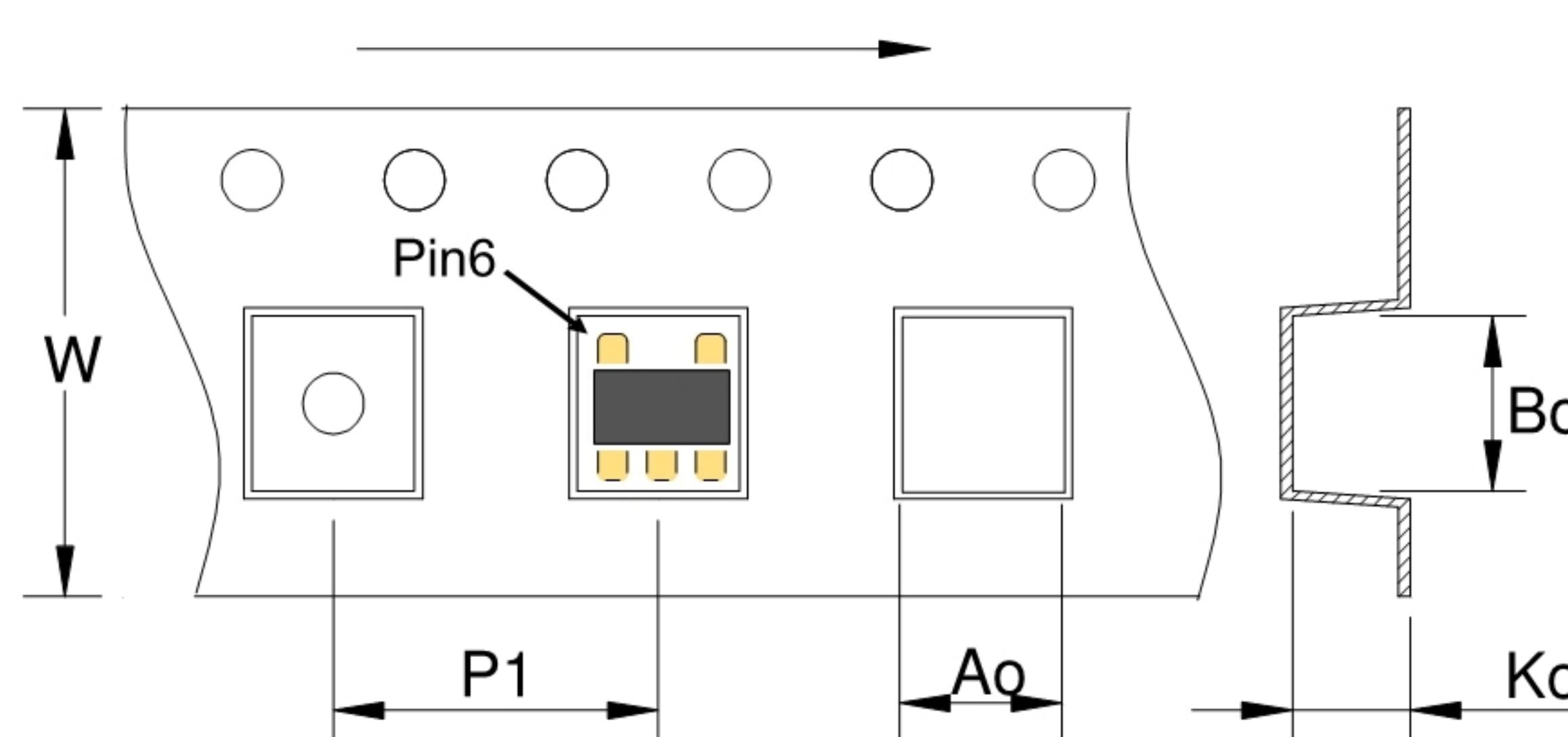
- For Docsis 3.0 & 3.1 Cable Modem.
- For Wideband Push-pull Amplifiers.
- For CATV Amplifiers Module & Set top box.
- For CATV Optical Receivers and Amplifiers.
- For VHF/UHF Transmitters and Push-pull Amplifiers.

## Electrical Specifications: TA=25°C, 0dBm, Z0=75Ω

Parameter	Test Conditions	Units	Min	Typ	Max
Main line Loss (Pin4-3)	5-1250MHz	dB	—	1.4	1.8
Main line Loss (Pin4-1)	5-1250MHz	dB	—	1.0	1.6
Amplitude Balance	5-1250MHz	dB	0.0	0.5	1.0
Phase Balance	5-1250MHz	°	0.0	6.0	12.0
Input Return Loss(pin4)	5-1250MHz	dB	16.0	22.0	—



## Carrier Tape Orientation



## Tape & Reel Information

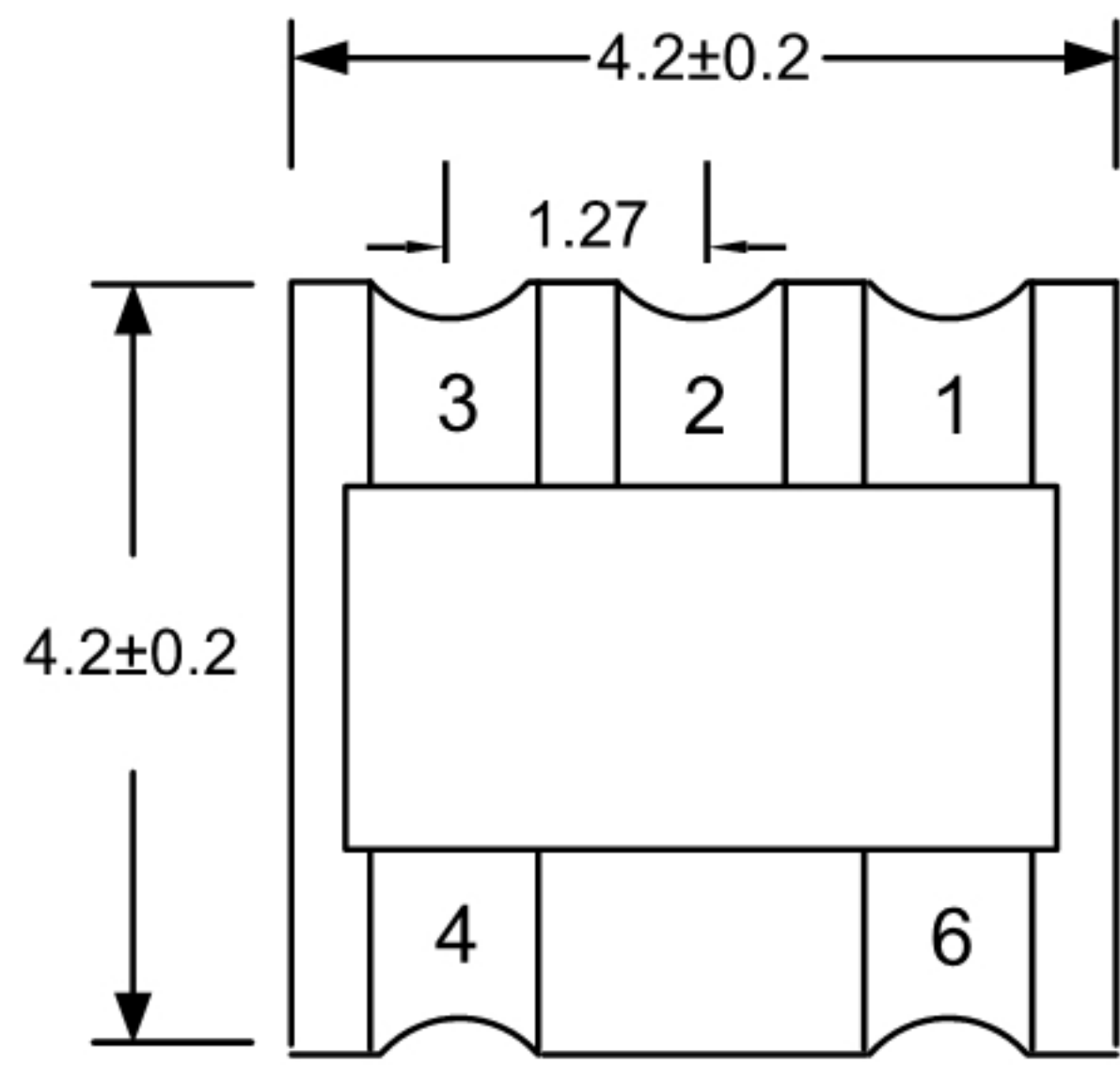
Parameter	Units	Value
Qty per reel	PCS	2000
Reel Size	mm	330
Tape Width	mm	12.00
Pitch	mm	8.00
Ao	mm	4.50
Bo	mm	4.50
Ko	mm	3.20

# RF Balun Transformer HTW-0040-33

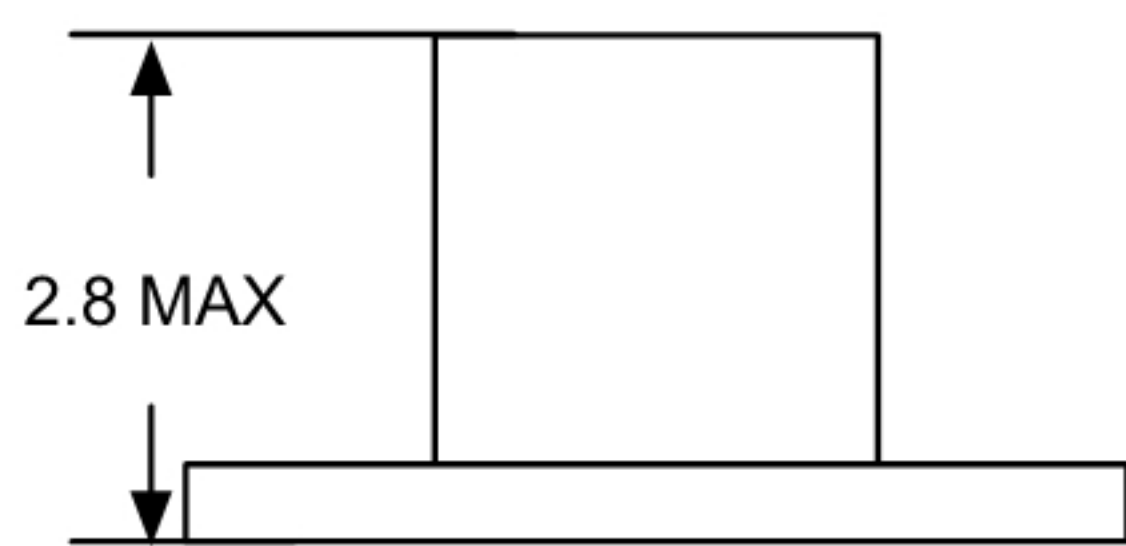
50Ω 1:1 Transmission Line Transformer 5-1500 MHz



## Outline Drawing(mm)

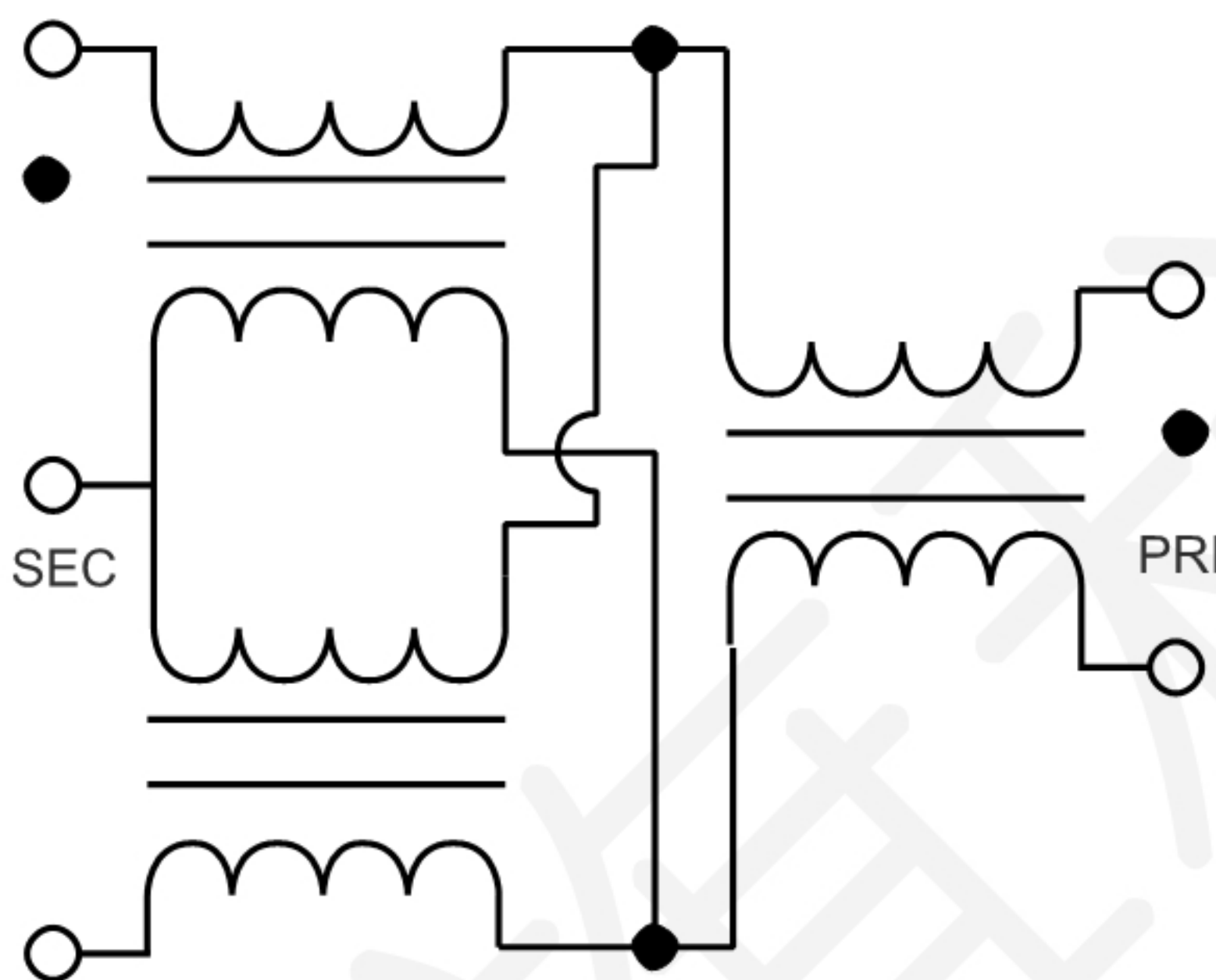


Top View

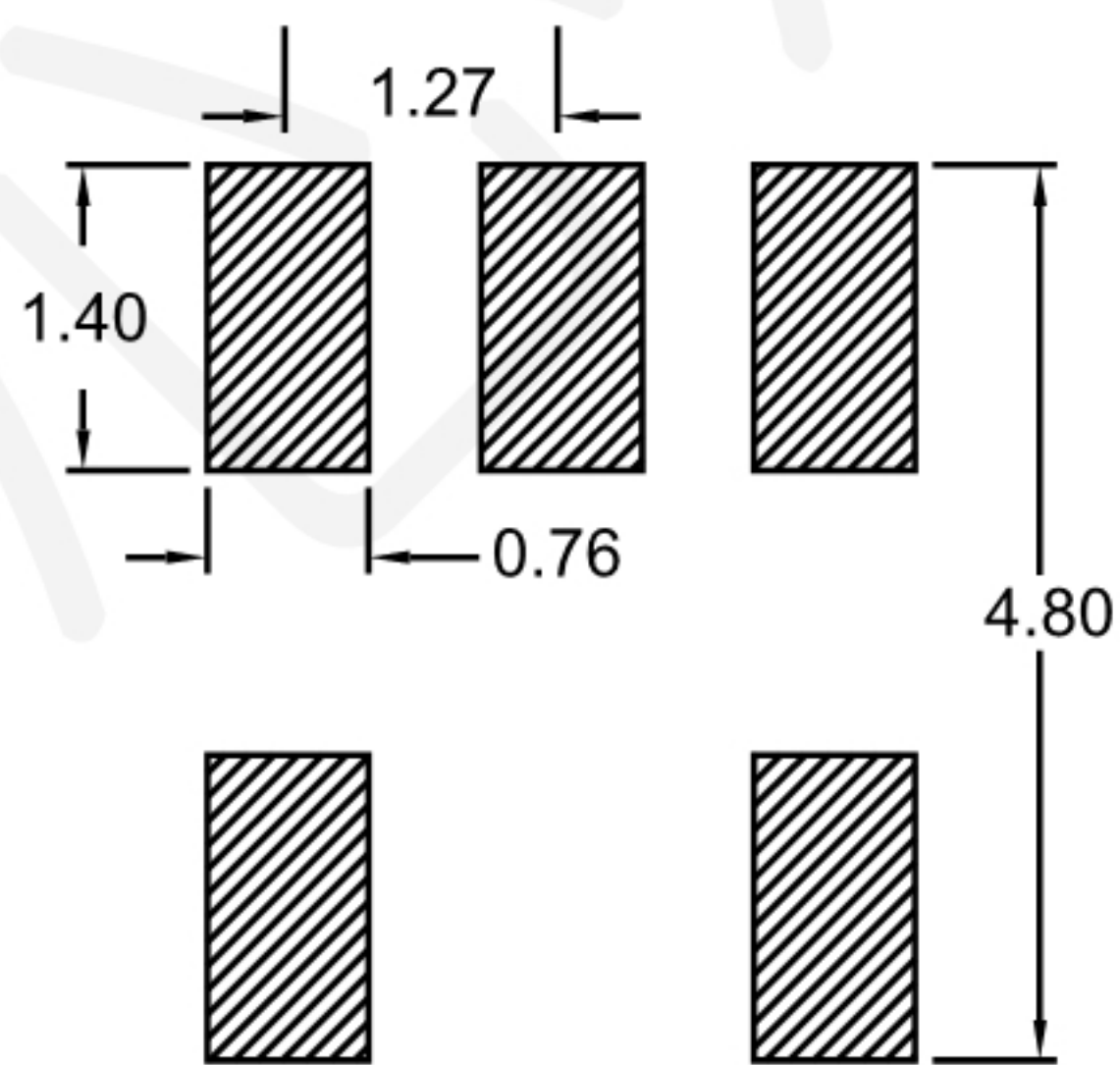


## Electrical structure

Fig I



## Recommended layout(mm)



## Pin Connections

Input	4
Output 1	3
Output 2	1
Ground	2,6

## Features

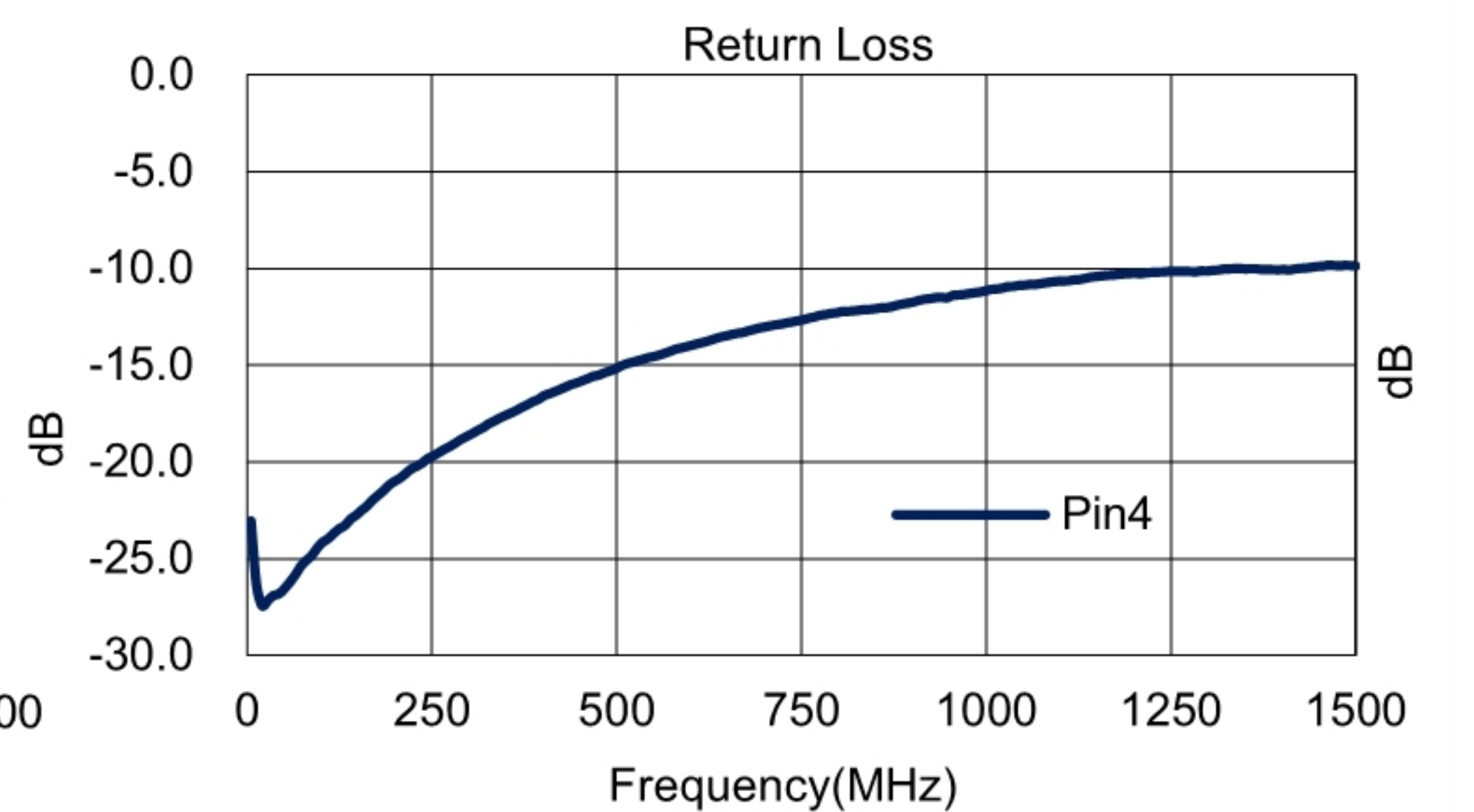
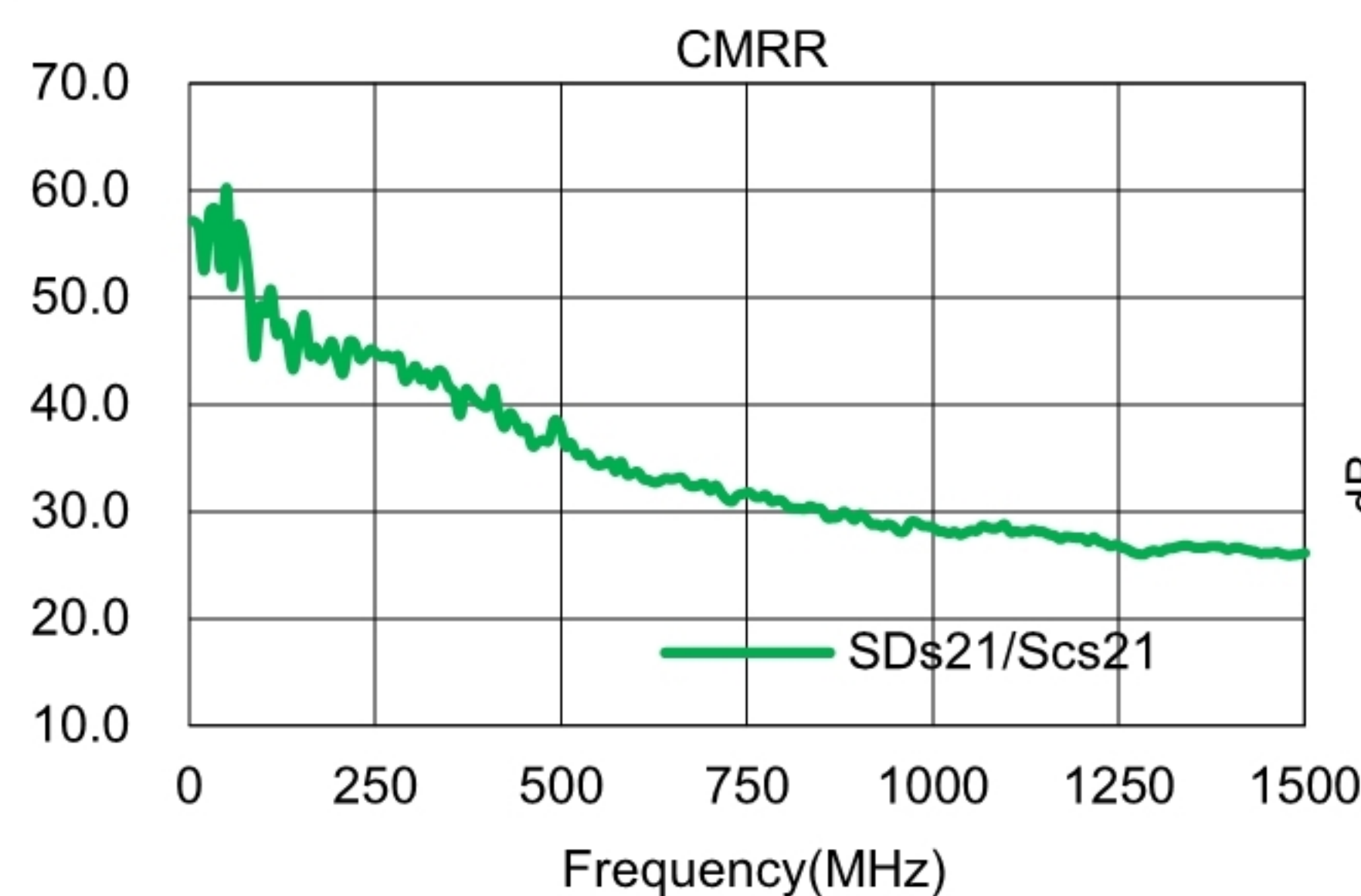
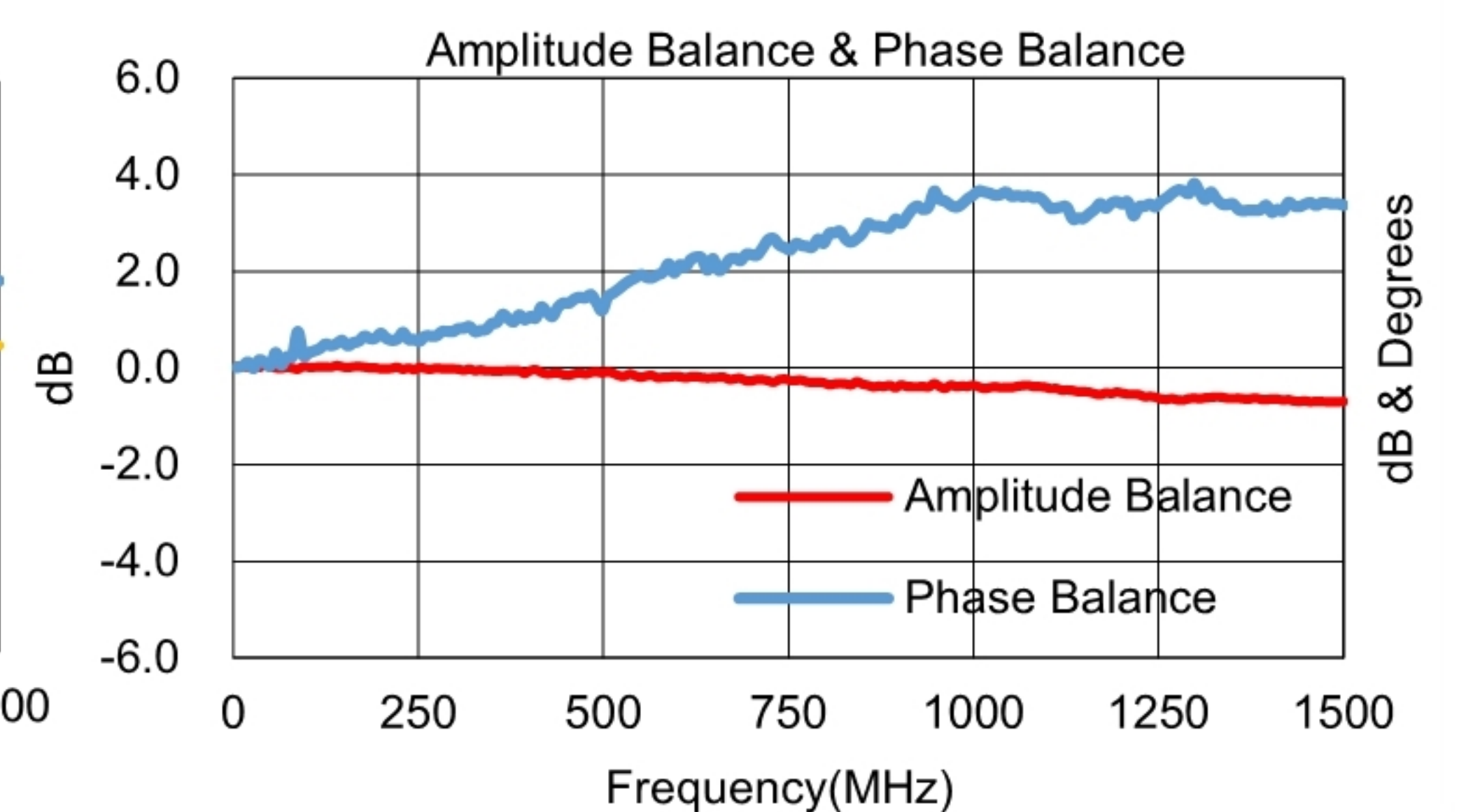
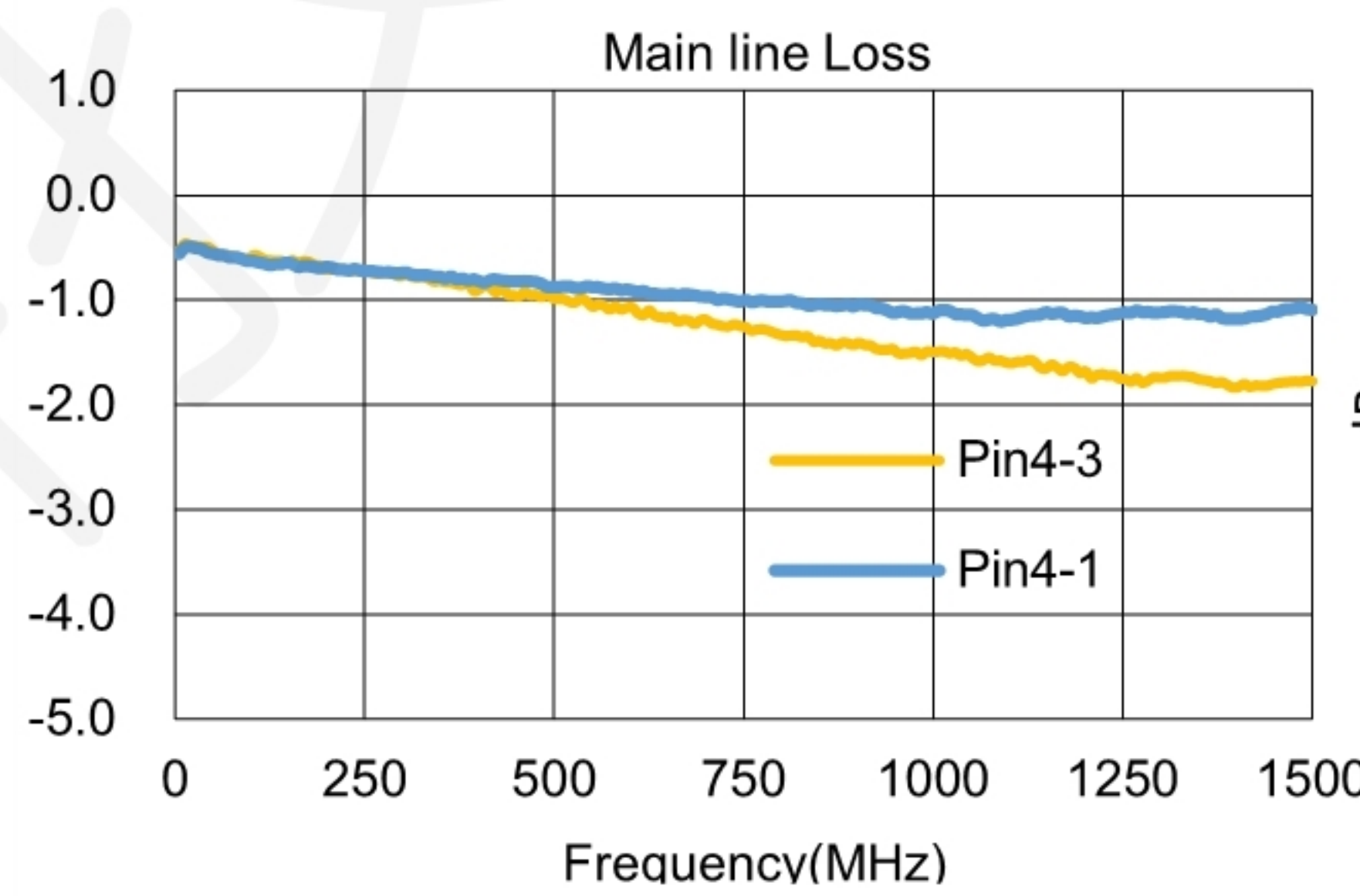
- Operating temperature range: -40°C to +85°C
- Storage temperature range: -55°C to +100°C
- 260°C Reflow Compatible
- RoHS compliant and lead free
- Input Power: 500mW Max
- DC Current: 500mA Max

## Applications

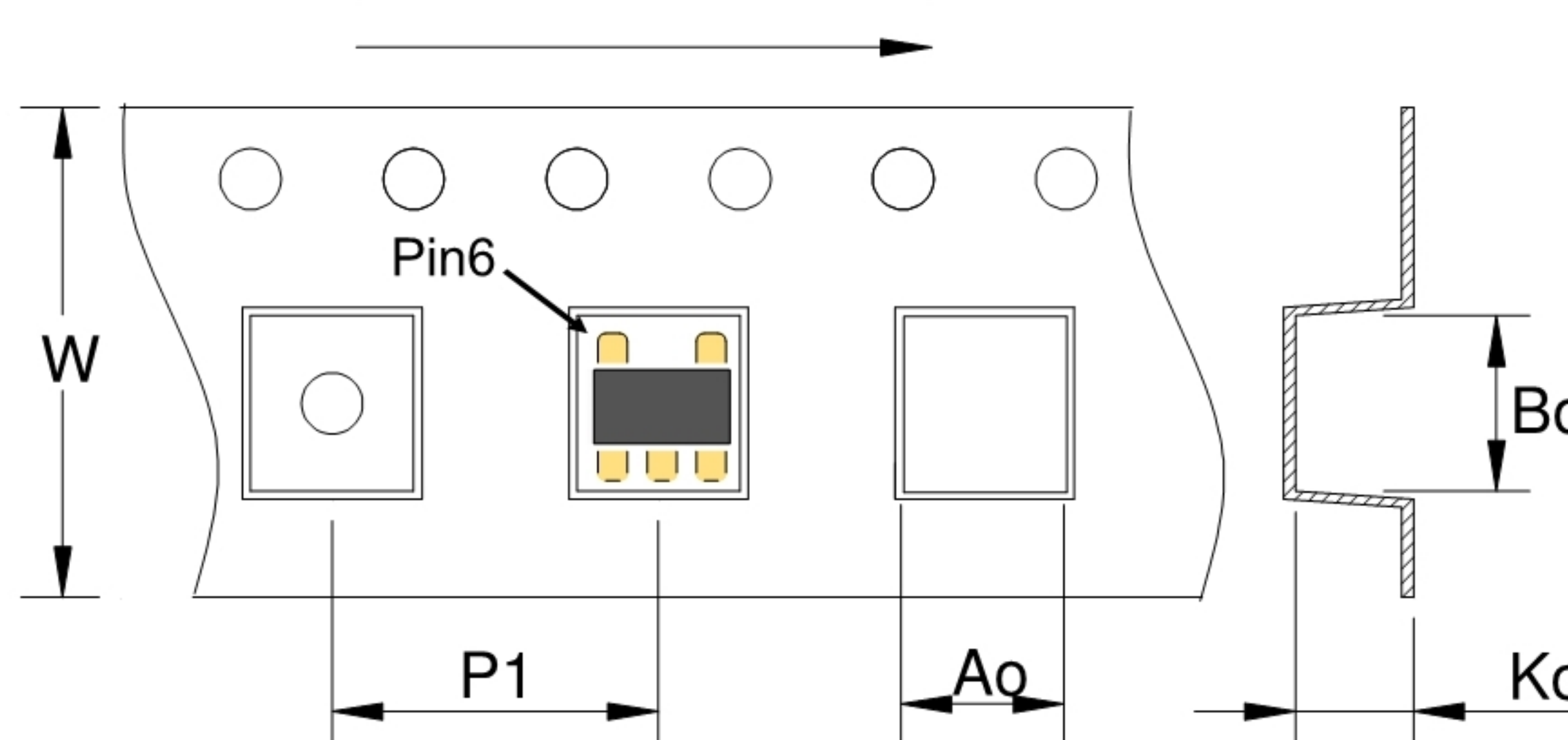
- For Motorola Walkie-talkie.
- For Car Streaming Media Rearview Mirror.
- For Broadband and Wireless Communications.
- For Wireless Microphone & Marine Communications.
- For Ideally Suited LTE, Cellular, UMTS, WiFi, WiMAX.
- For Differential Modulator/demodulator and Active Mixers.

## Electrical Specifications: TA=25°C, 0dBm, Z0=50Ω

Parameter	Test Conditions	Units	Min	Typ	Max
Main line Loss (Pin4-3)	5-1500MHz	dB	—	1.8	2.5
Main line Loss (Pin4-1)	5-1500MHz	dB	—	1.0	1.6
Amplitude Balance	5-1500MHz	dB	0.0	0.5	1.8
Phase Balance	5-1500MHz	°	0.0	3.5	10.0
Input Return Loss(pin4)	5-1500MHz	dB	7.0	12.0	—
CMRR	5-1500MHz	dB	20.0	28.0	—



## Carrier Tape Orientation



## Tape & Reel Information

Parameter	Units	Value
Qty per reel	PCS	2000
Reel Size	mm	330
Tape Width	mm	12.00
Pitch	mm	8.00
Ao	mm	4.50
Bo	mm	4.50
Ko	mm	3.20