

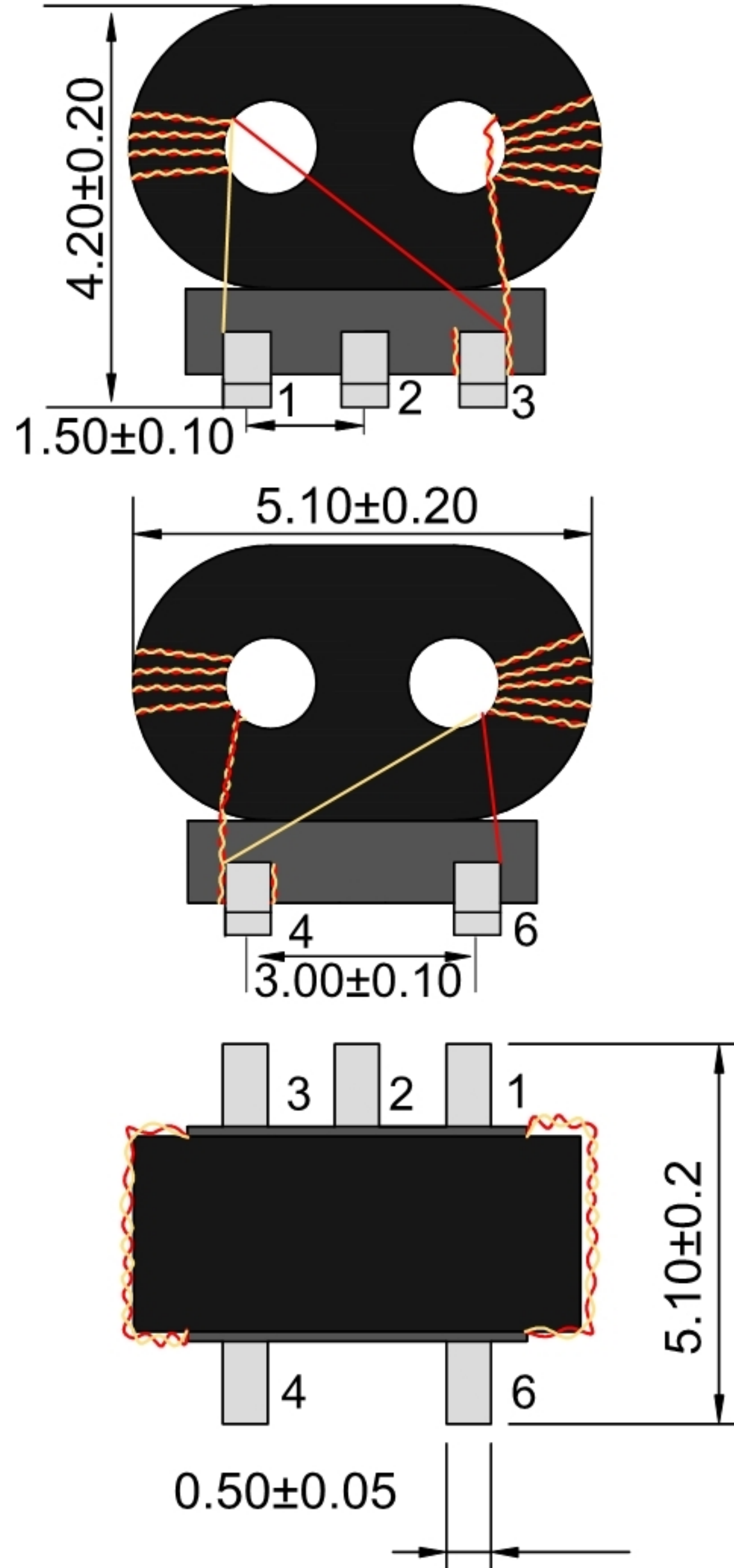
RF Balun Transformer HTW-069-2500



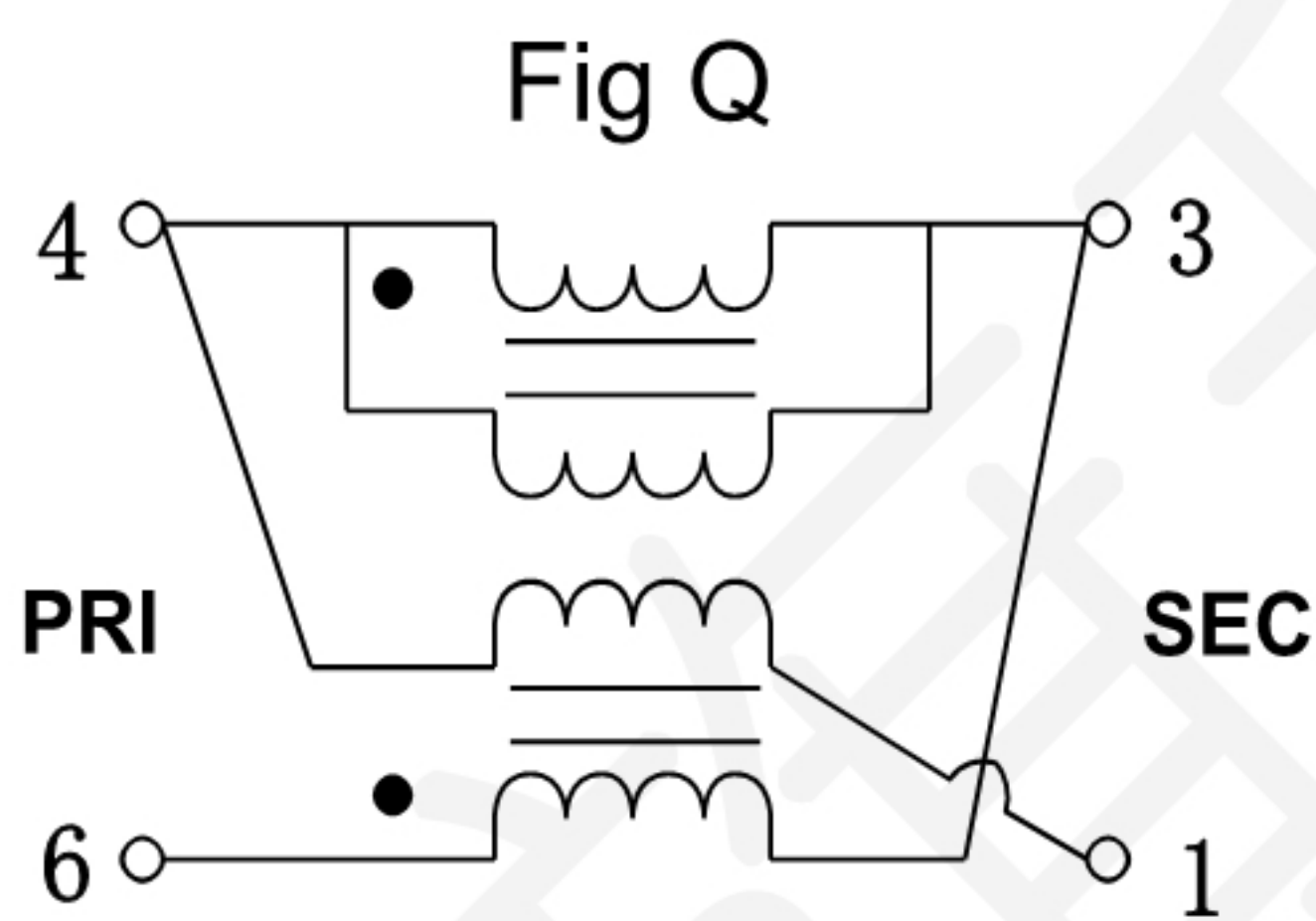
75Ω 1:1 Transmission Line Transformer 50-1250 MHz



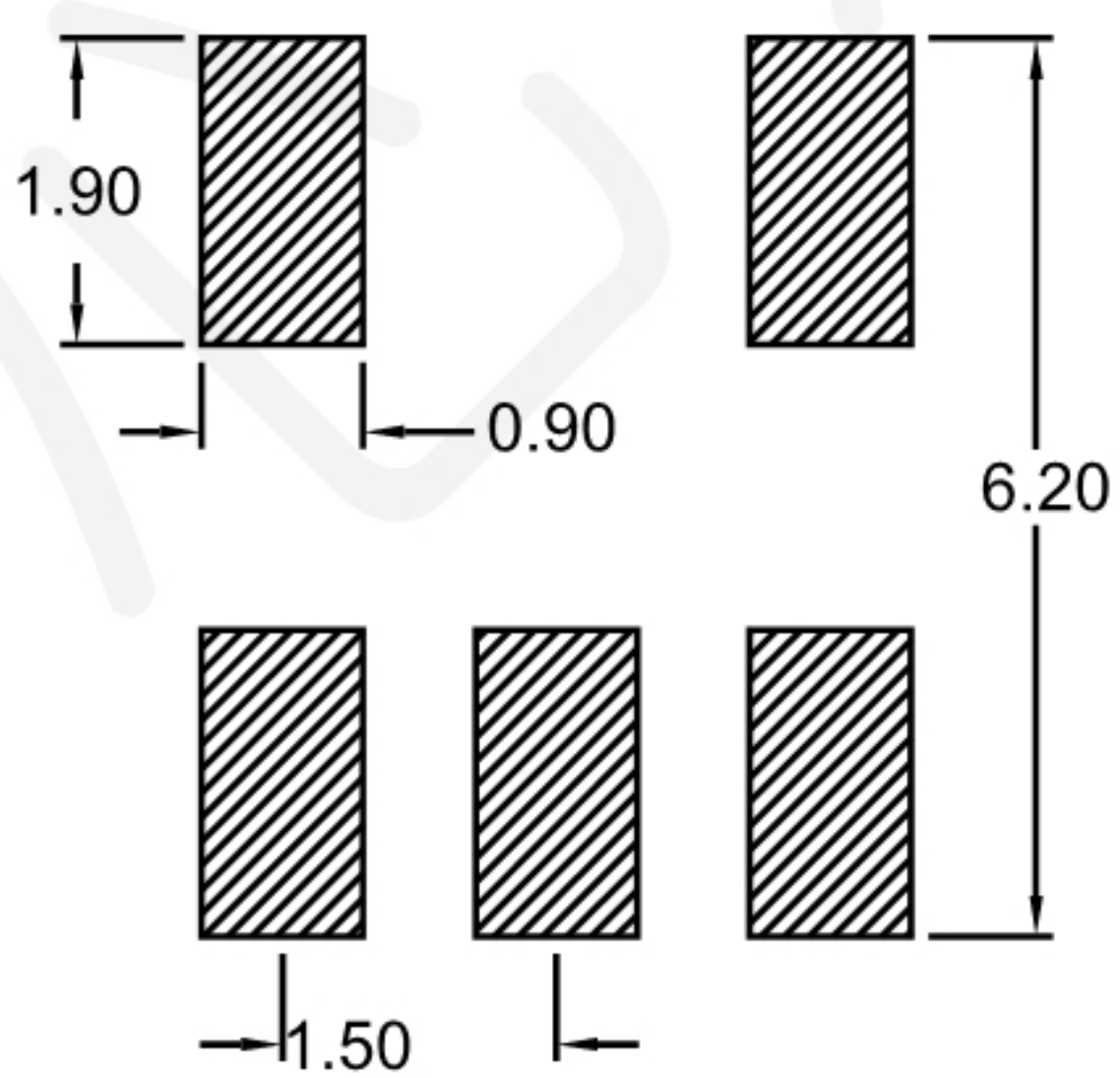
Outline Drawing(mm)



Electrical structure



Recommended layout(mm)



Pin Connections

Input	6
Output 1	1
Output 2	3
Ground	4
Not Used	2

Features

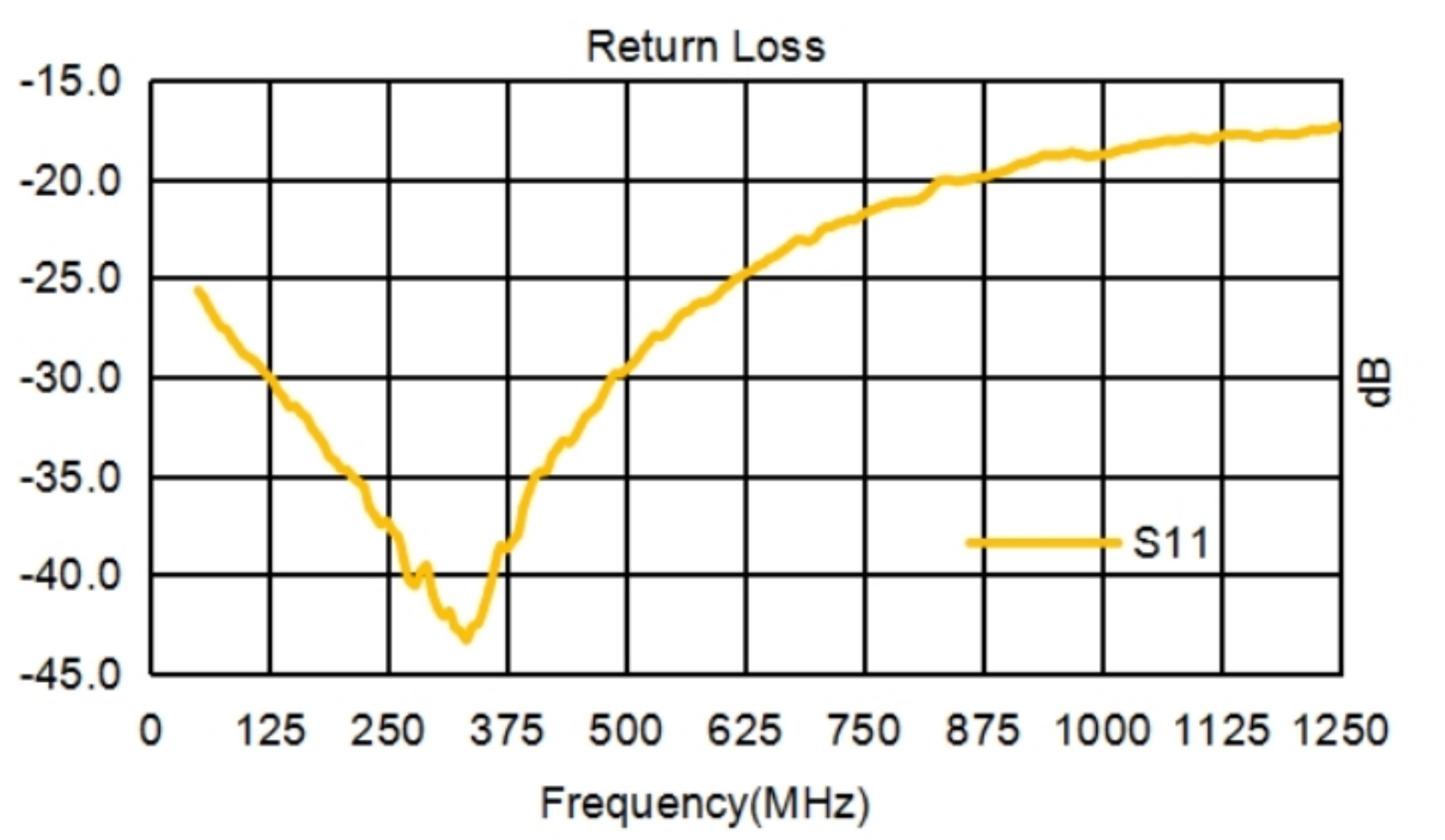
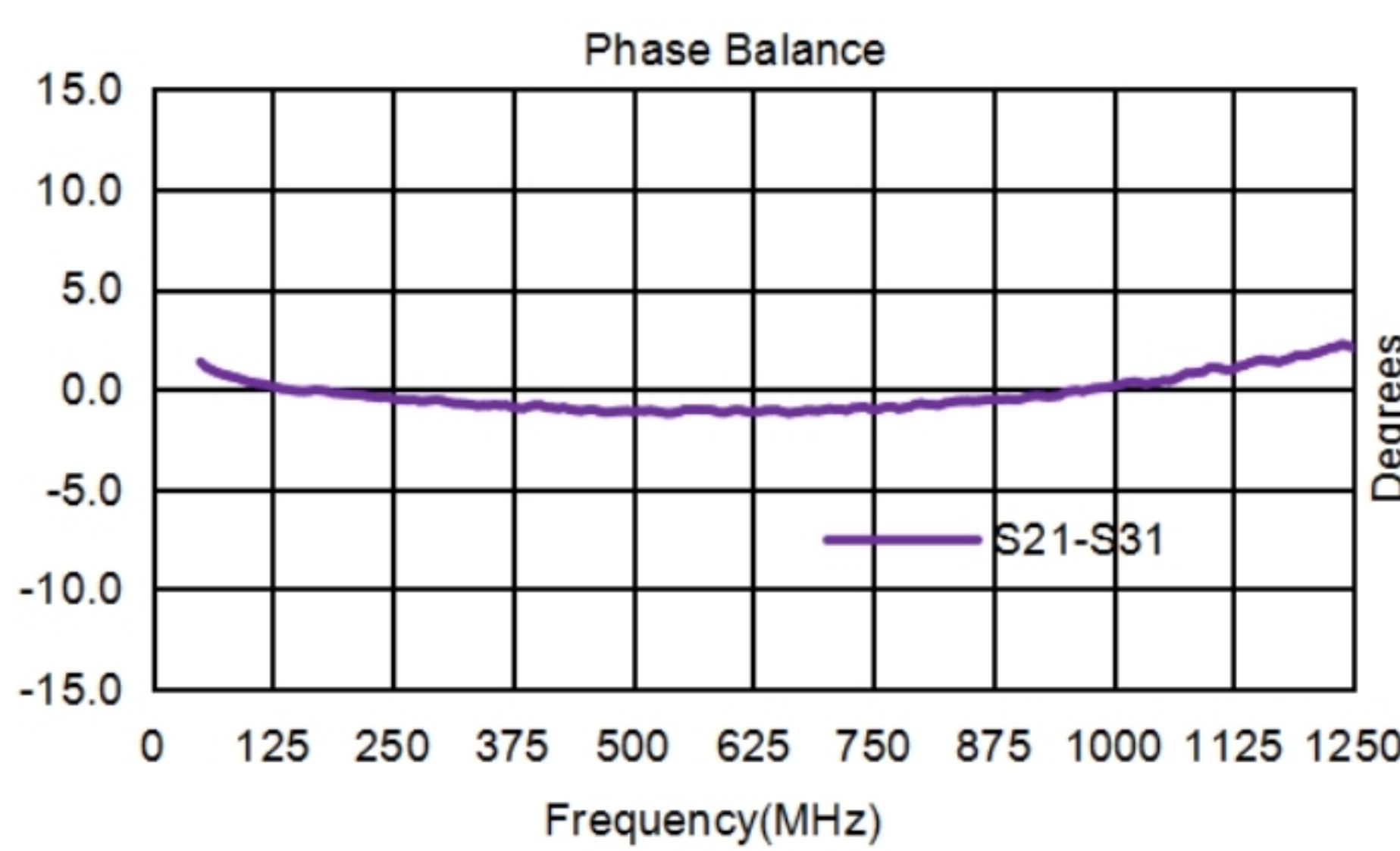
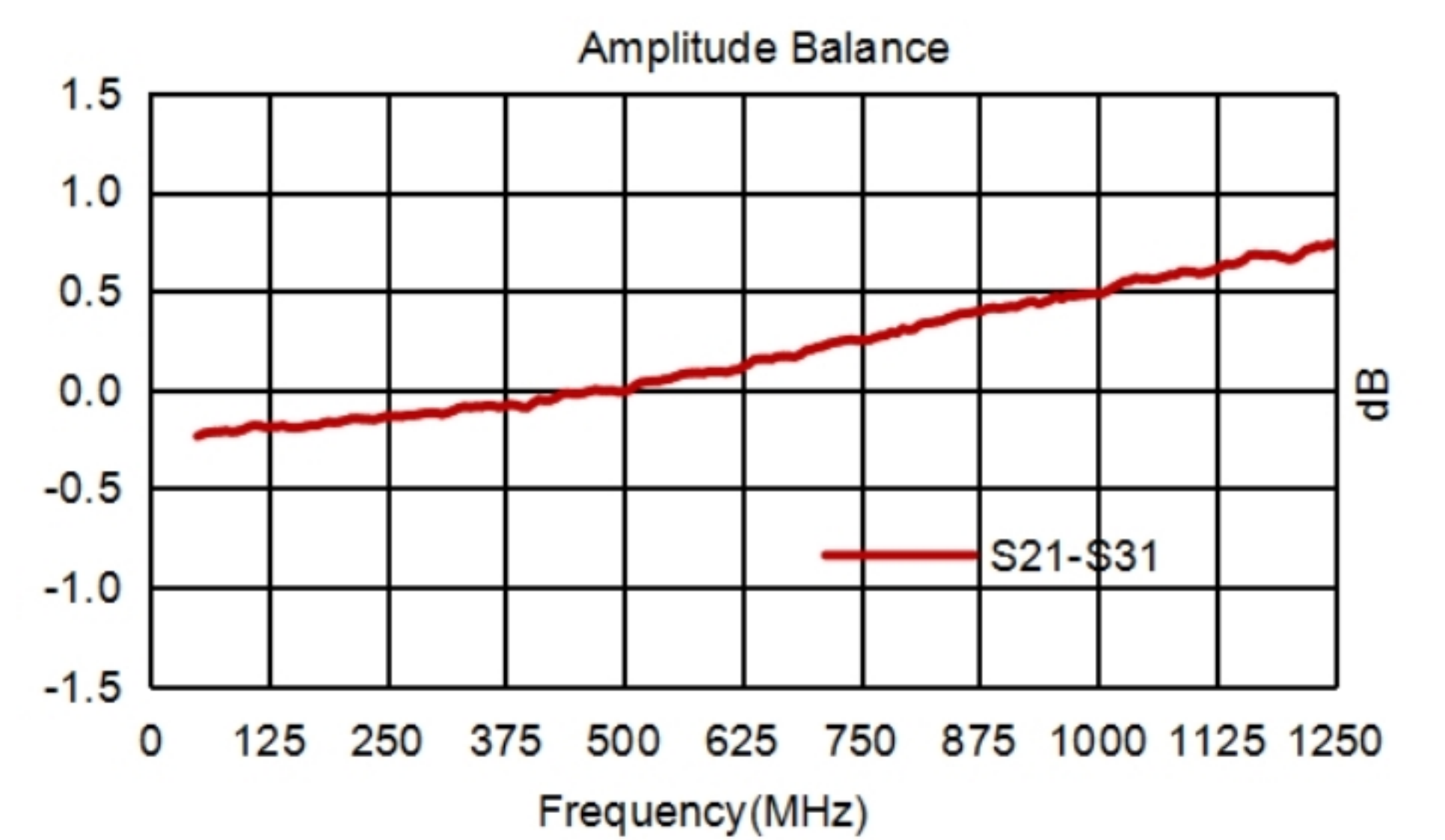
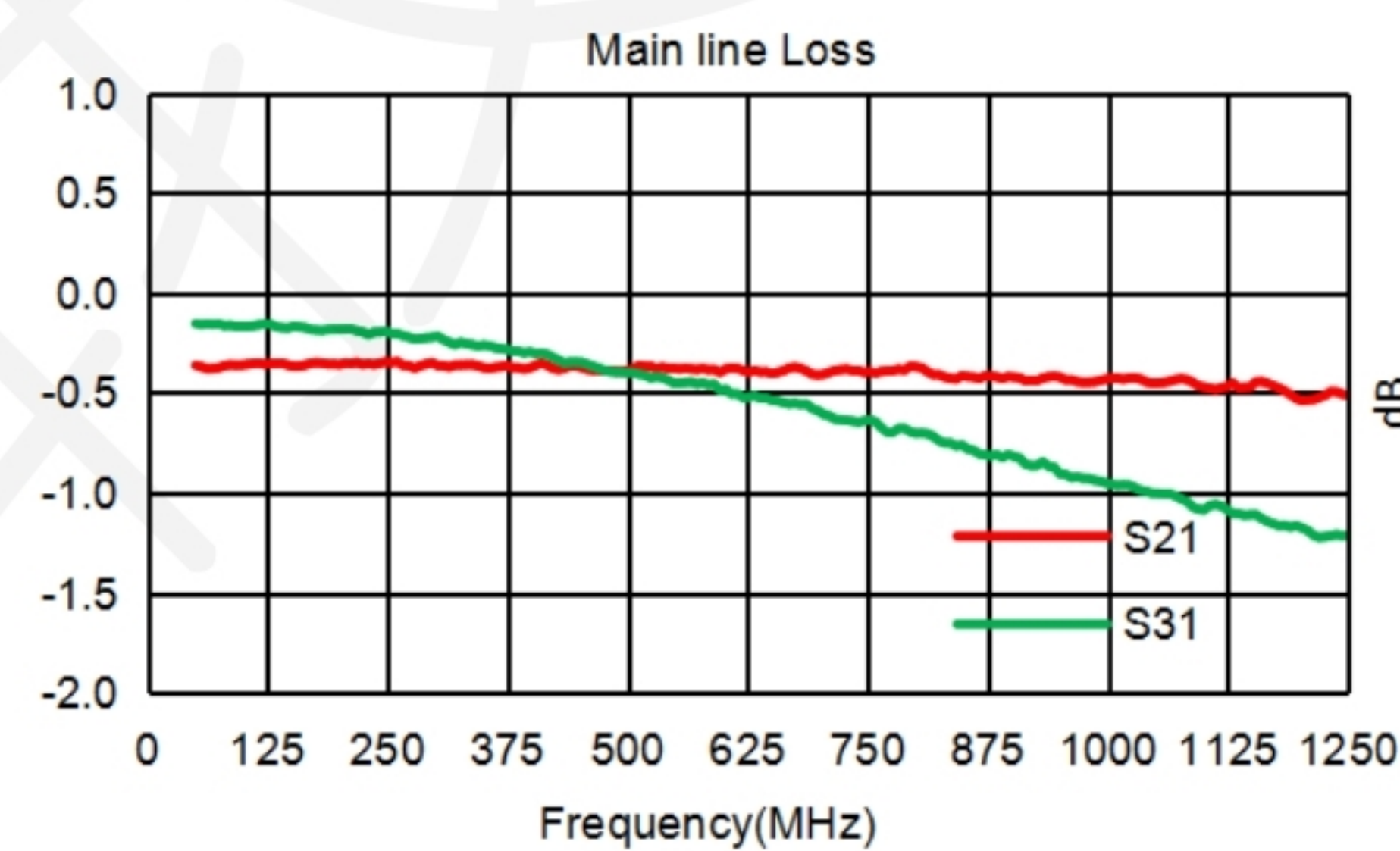
- RF power: 0.50W Max
- DC current:300mA Max
- Operating temperature range:-40℃ to+85℃
- Storage temperature range: -55℃ to +100℃

Applications

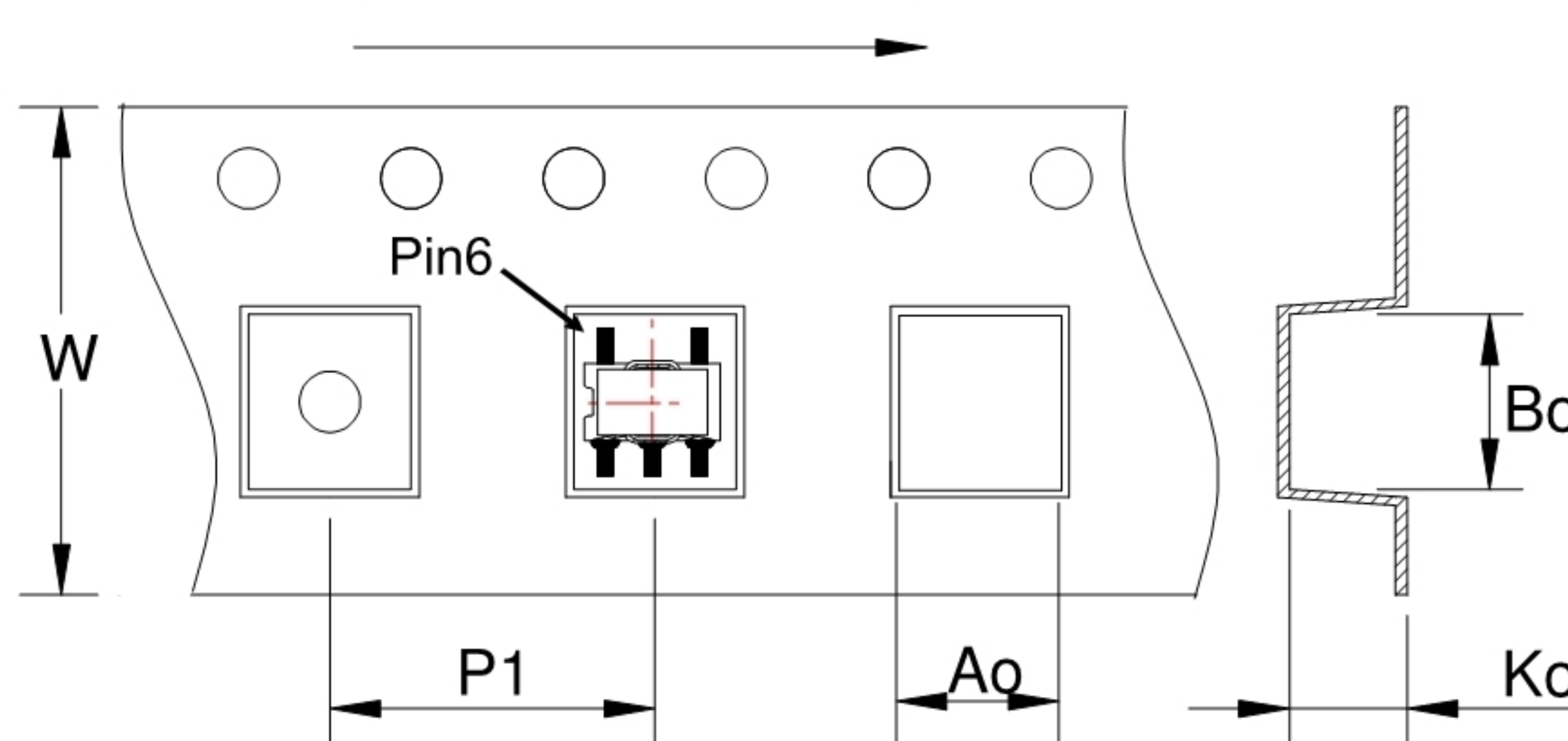
For Docsis 3.0 & 3.1 Cable Modem.
 For Wideband Push-pull Amplifiers.
 For CATV Amplifiers Module & Set top box.
 For CATV Optical Receivers and Amplifiers.
 For VHF/UHF Transmitters and Push-pull Amplifiers.

Electrical Specifications:TA=25℃, 0dBm, Z0=75Ω

Parameter	Test Conditions	Units	Min	Typ	Max
Main line Loss (Pin6-1)	50-1250MHz	dB	—	0.4	1.0
Main line Loss (Pin6-3)	50-1250MHz	dB	—	1.2	1.5
Amplitude Balance	50-1250MHz	dB	0.0	0.5	1.2
Phase Balance	50-1250MHz	°	0.0	2.0	15.0
Input Return Loss(Pin4)	50-1250MHz	dB	12.0	17.0	—



Carrier Tape Orientation



Tape & Reel Information

Parameter	Units	Value
Qty per reel	PCS	2000
Reel Size	mm	330
Tape Width	mm	12.00
Pitch	mm	8.00
Ao	mm	5.50
Bo	mm	4.50
Ko	mm	3.90