

Features:

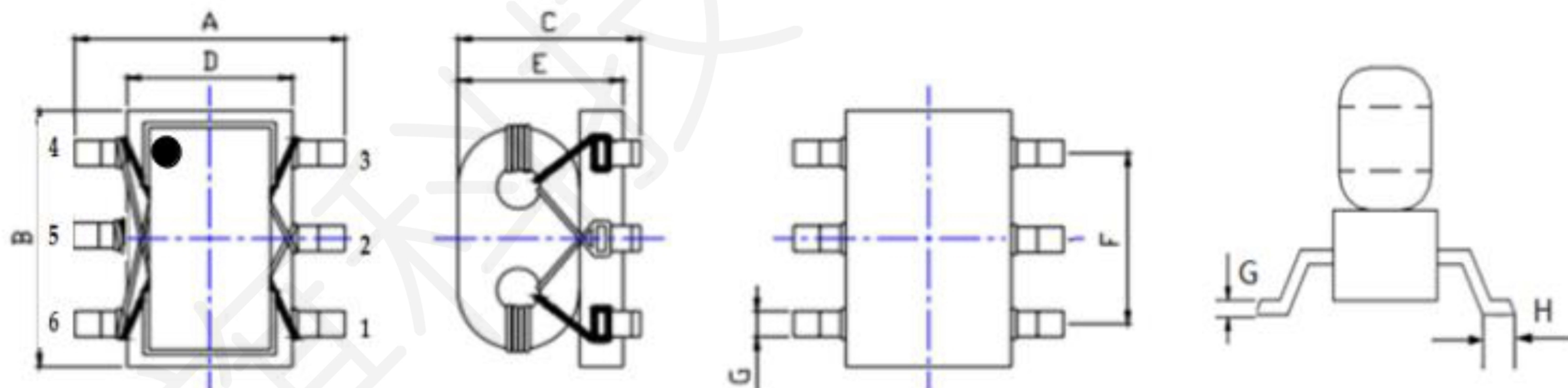
- ◆ 1:4 Impedance
- ◆ 50Ω Characteristic Impedance
- ◆ Frequency: 0.3to 800 MHz
- ◆ RF power: 0.50W
- ◆ DC current: 30mA
- ◆ Operating temperature range: -40°C to +85°C
- ◆ Storage temperature range: -55°C to +100°C



Applications:

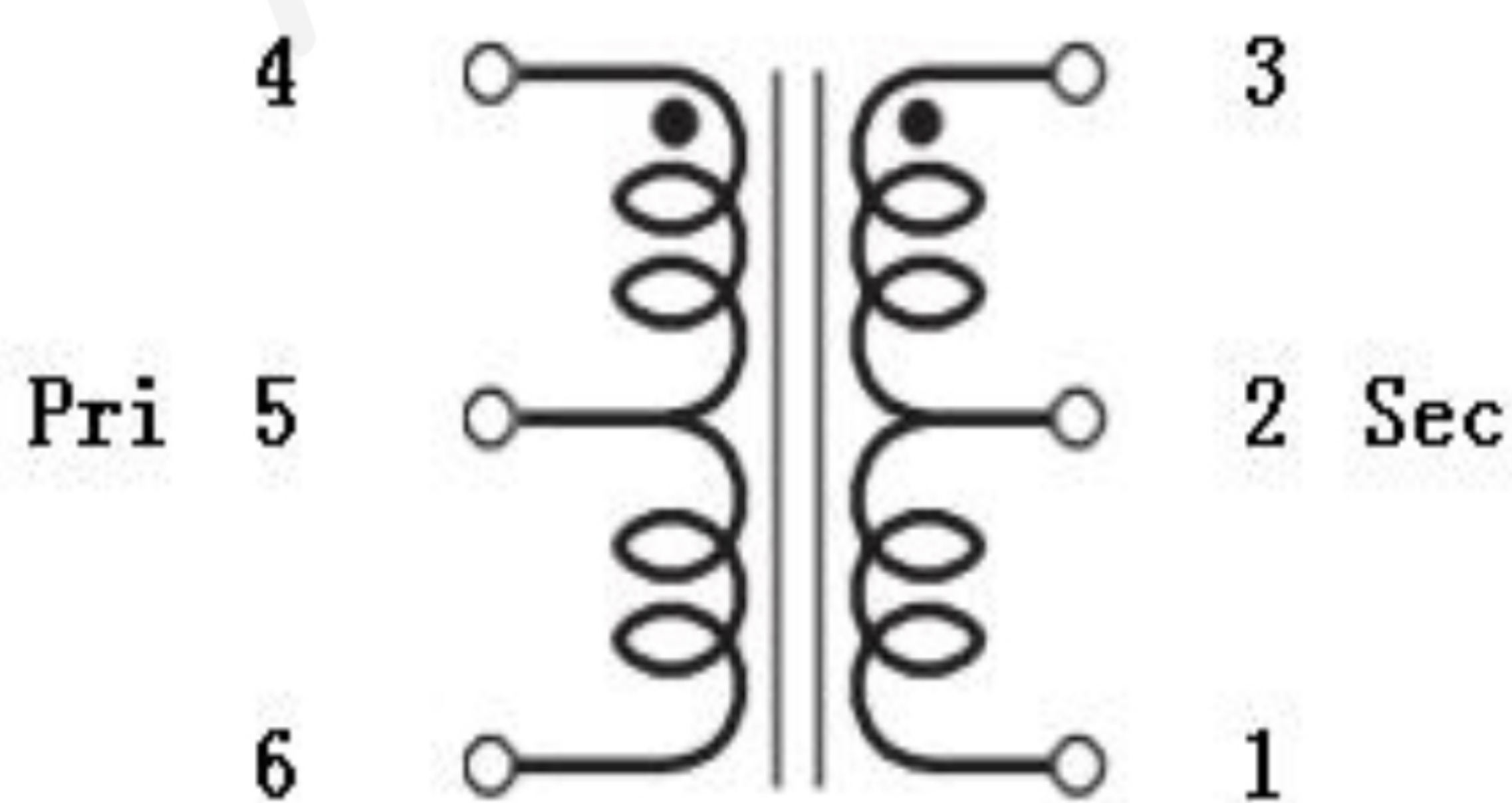
- ◆ For broadband and wireless communications
- ◆ For VHF/UHF receivers/transmitters and push-pull amplifiers

Dimension Diagram (Unit:mm) :

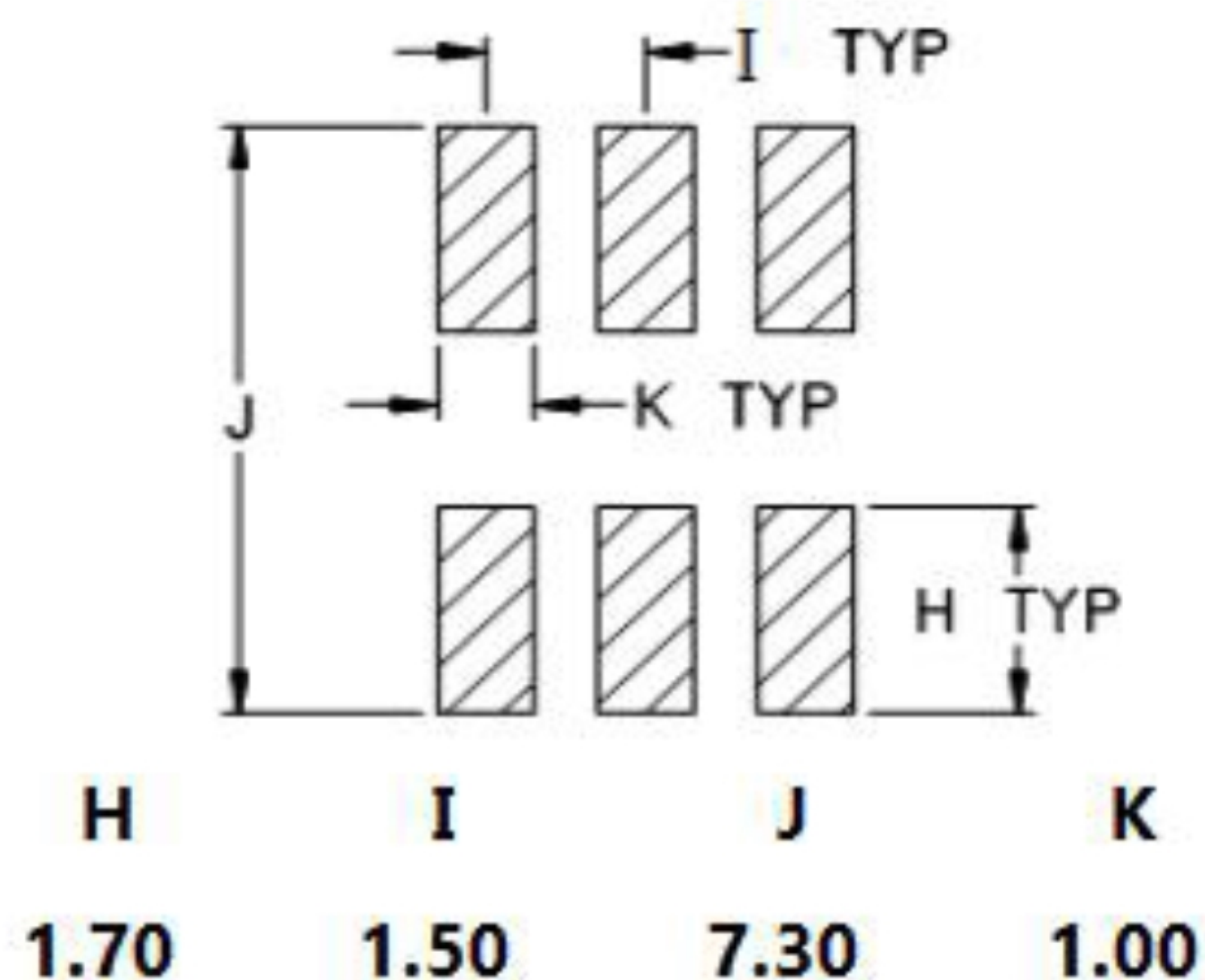


A=5.10±0.20 B=4.30±0.20 C=3.50Max D=2.60±0.20 E=0.50±0.05 F=3.00±0.10 G=0.25±0.05 H=0.60±0.10

Electrical structure:



Recommended layout:

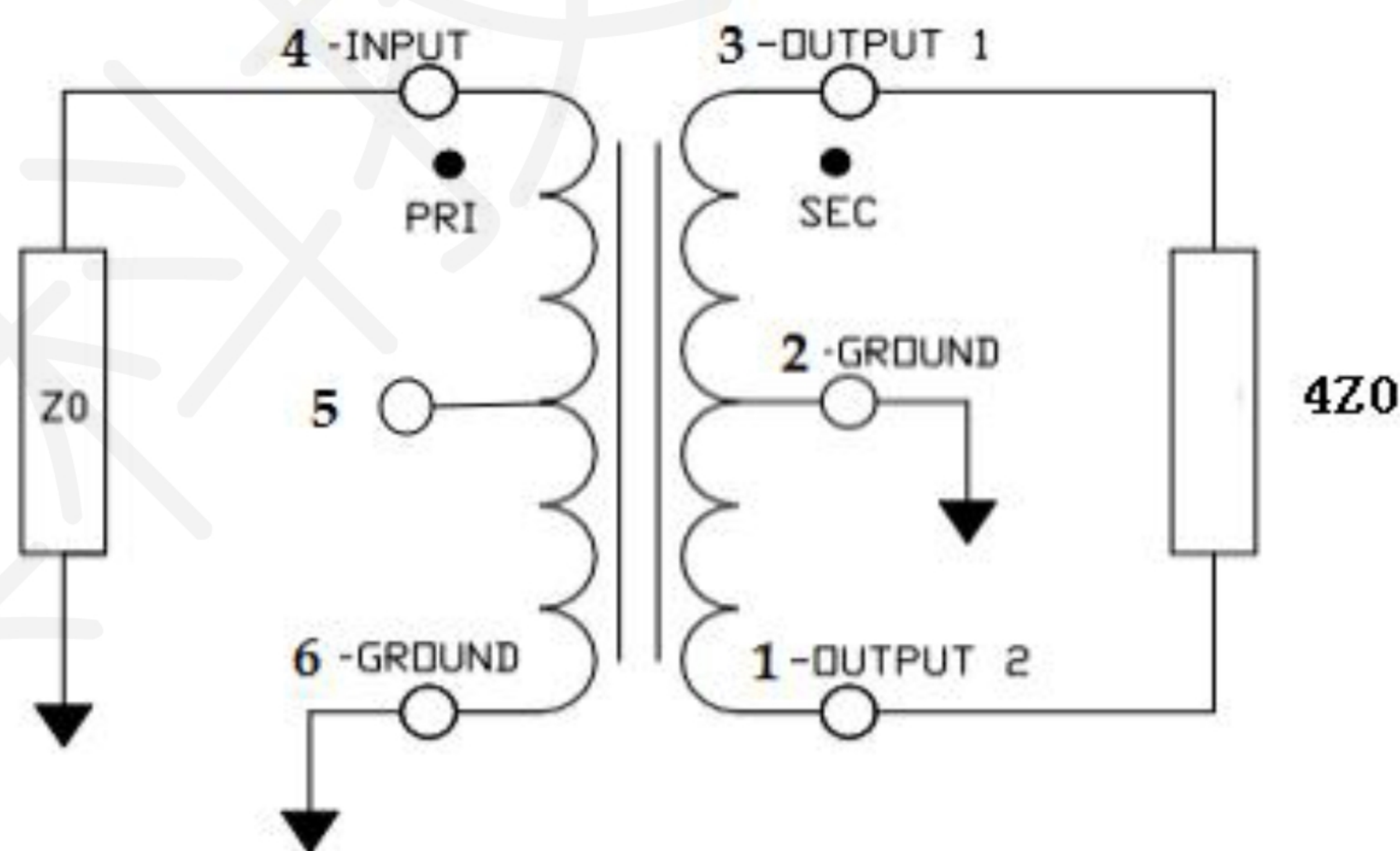


Pin configuration



Pin no	Function
1	Secondary (Output 2)
2	Centre tap(Ground)
3	Secondary dot (Output 1)
4	Primary dot(Input)
5	Centre tap(NOT USE)
6	Primary (Ground)

Application circuit :

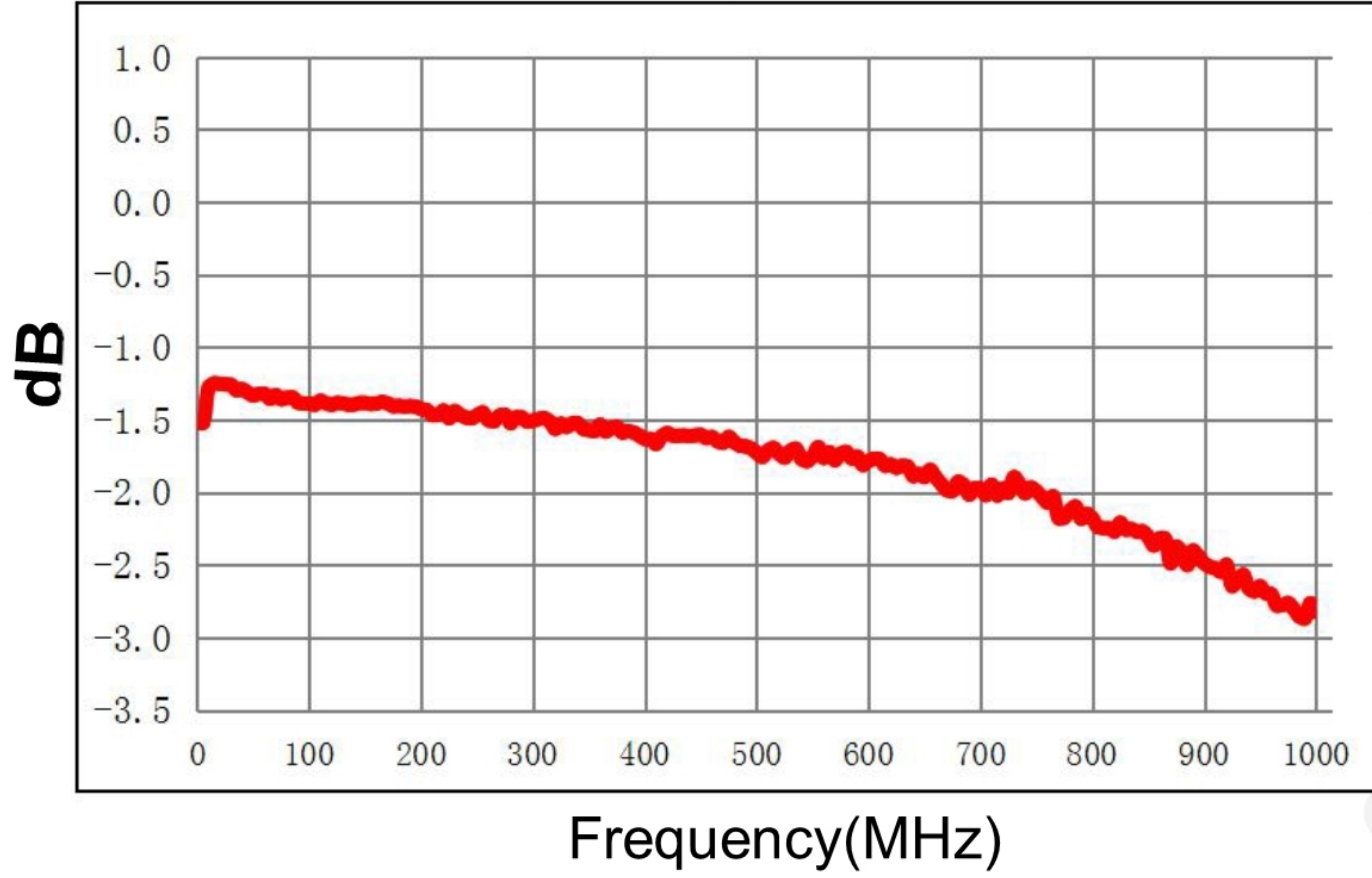


Electrical Specifications: $T_A = 25^\circ\text{C}$ $Z_0 = 50\Omega$,

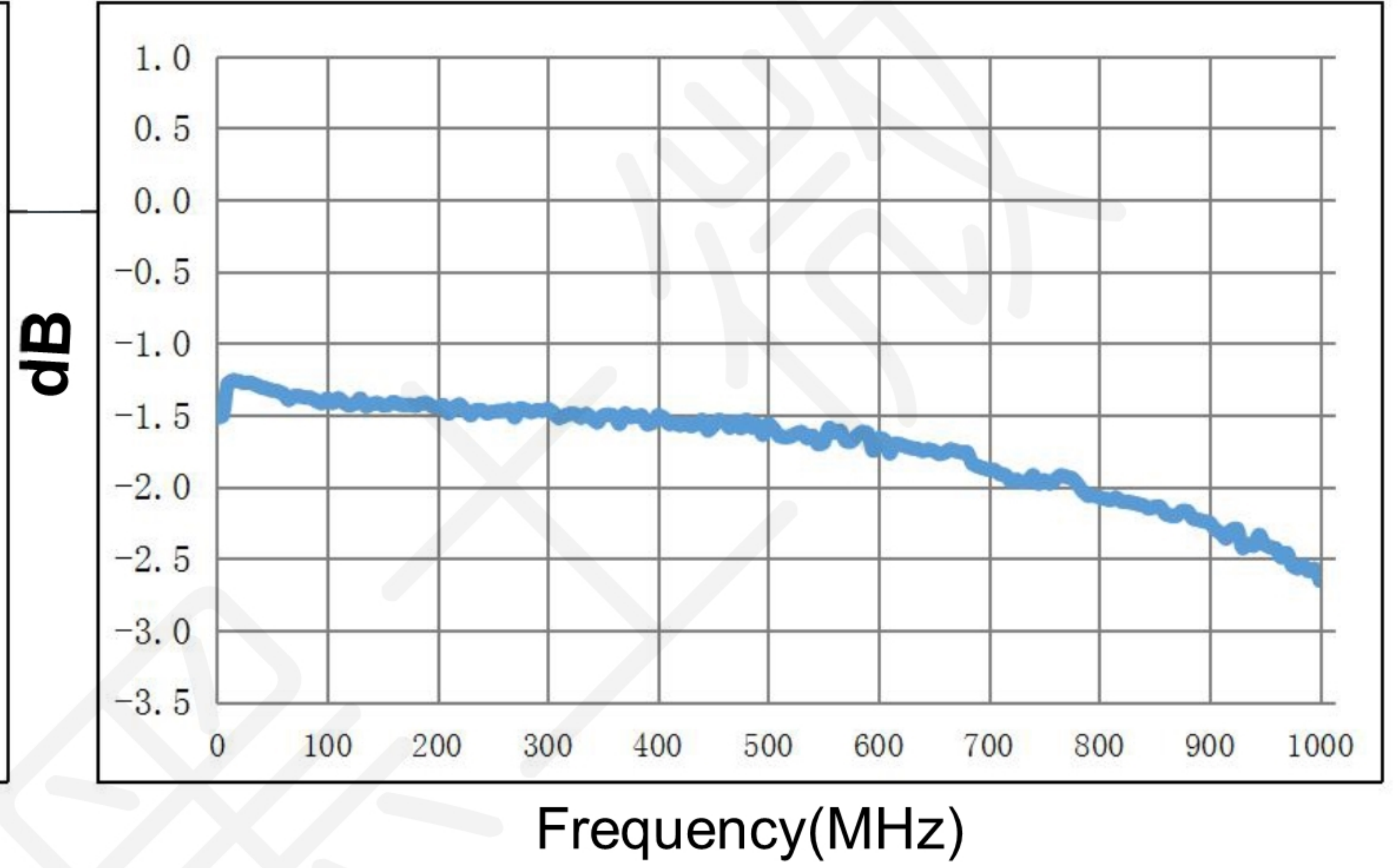
Parameter	Test Conditions	Units	Min	Typ	Max
Main line Loss(out1)	0.3-800MHz	dB	—	1.5	3.5
Main line Loss(out2)	0.3-800MHz	dB	—	1.5	3.5
Amplitude Balance	0.3-800MHz	dB	—	0.5	±1.0
Phase Balance	0.3-800MHz	Degrees	—	±10	±12



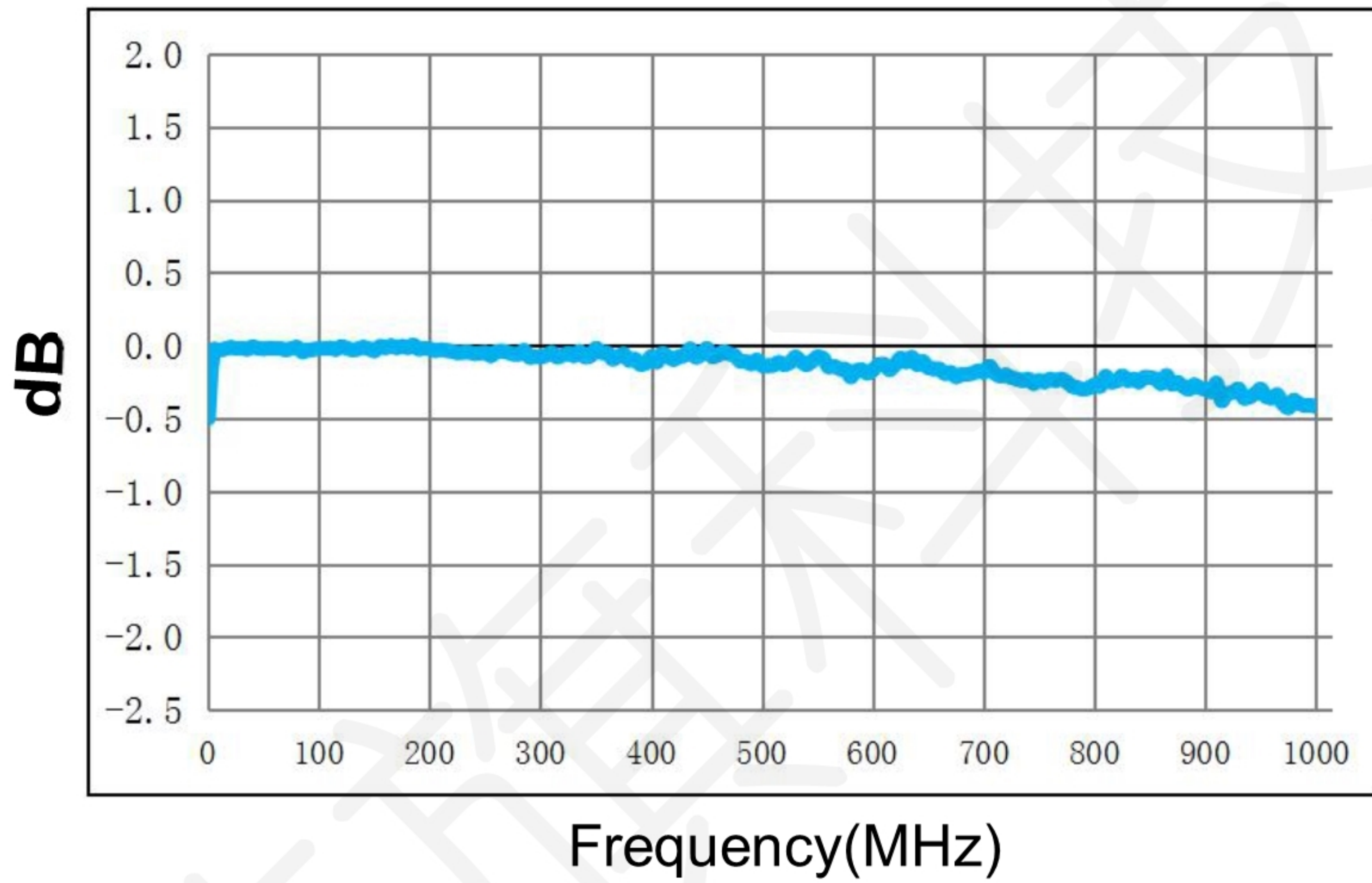
Main line Loss(out1)



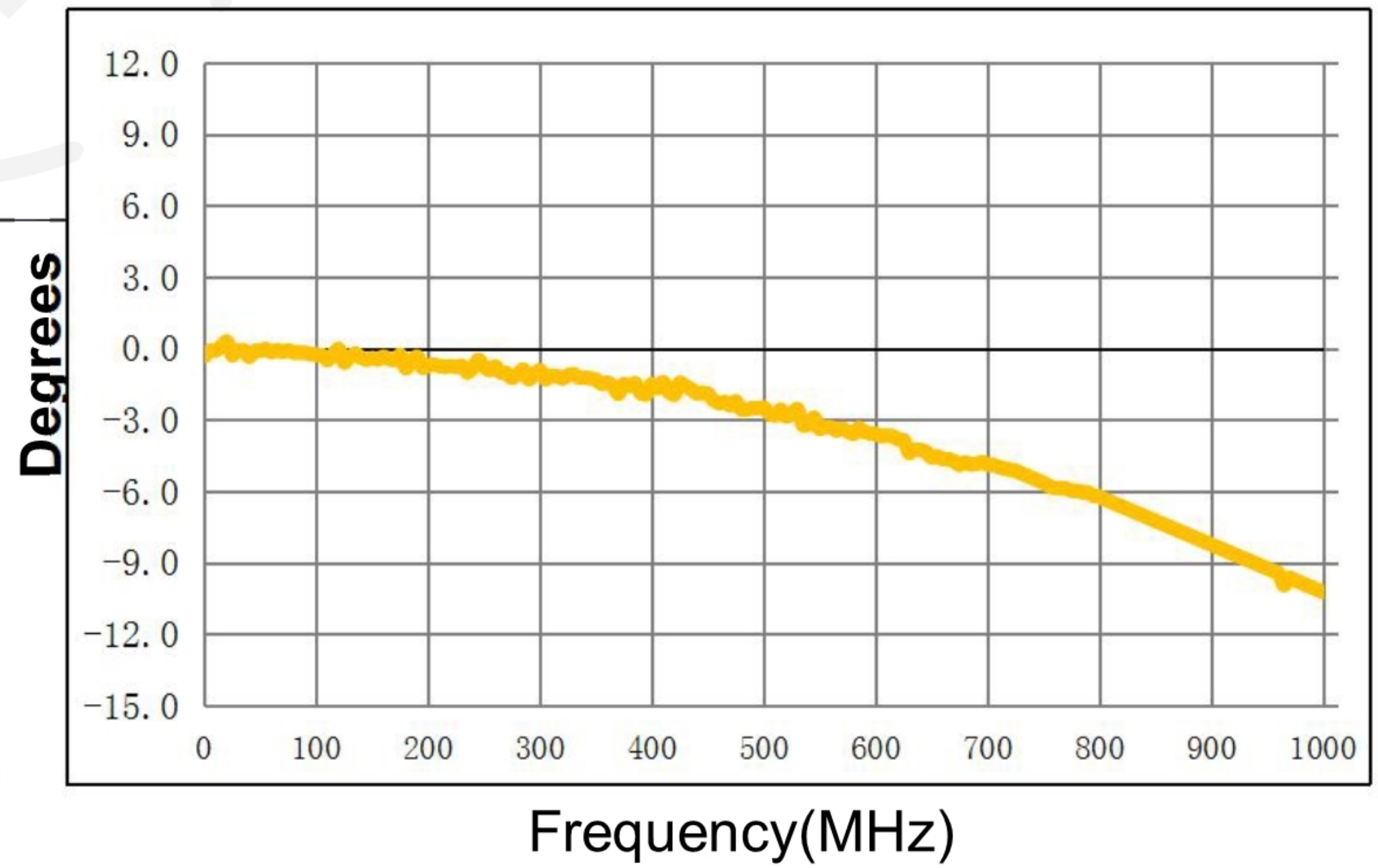
Main line Loss(out2)



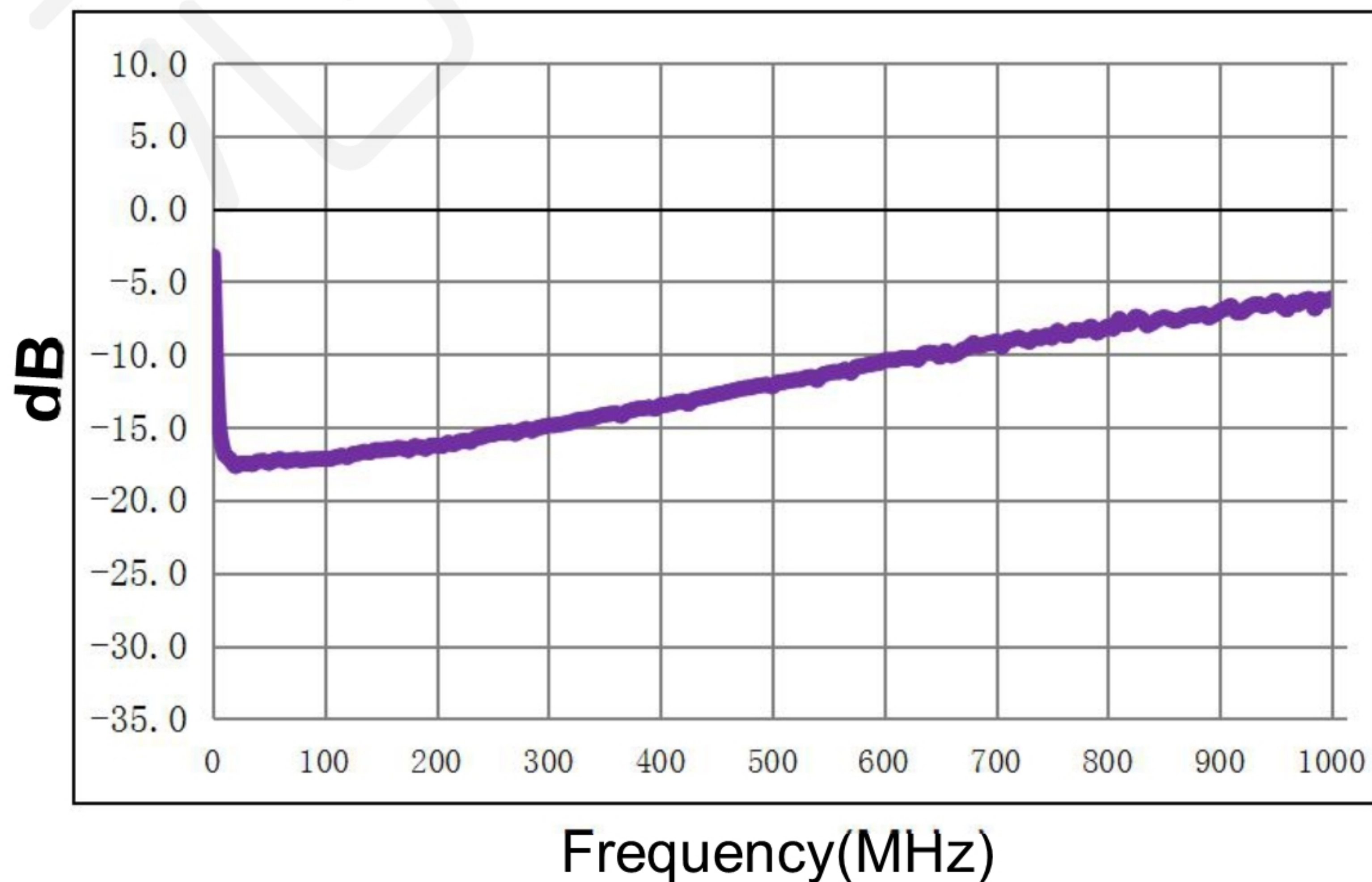
Amplitude Balance



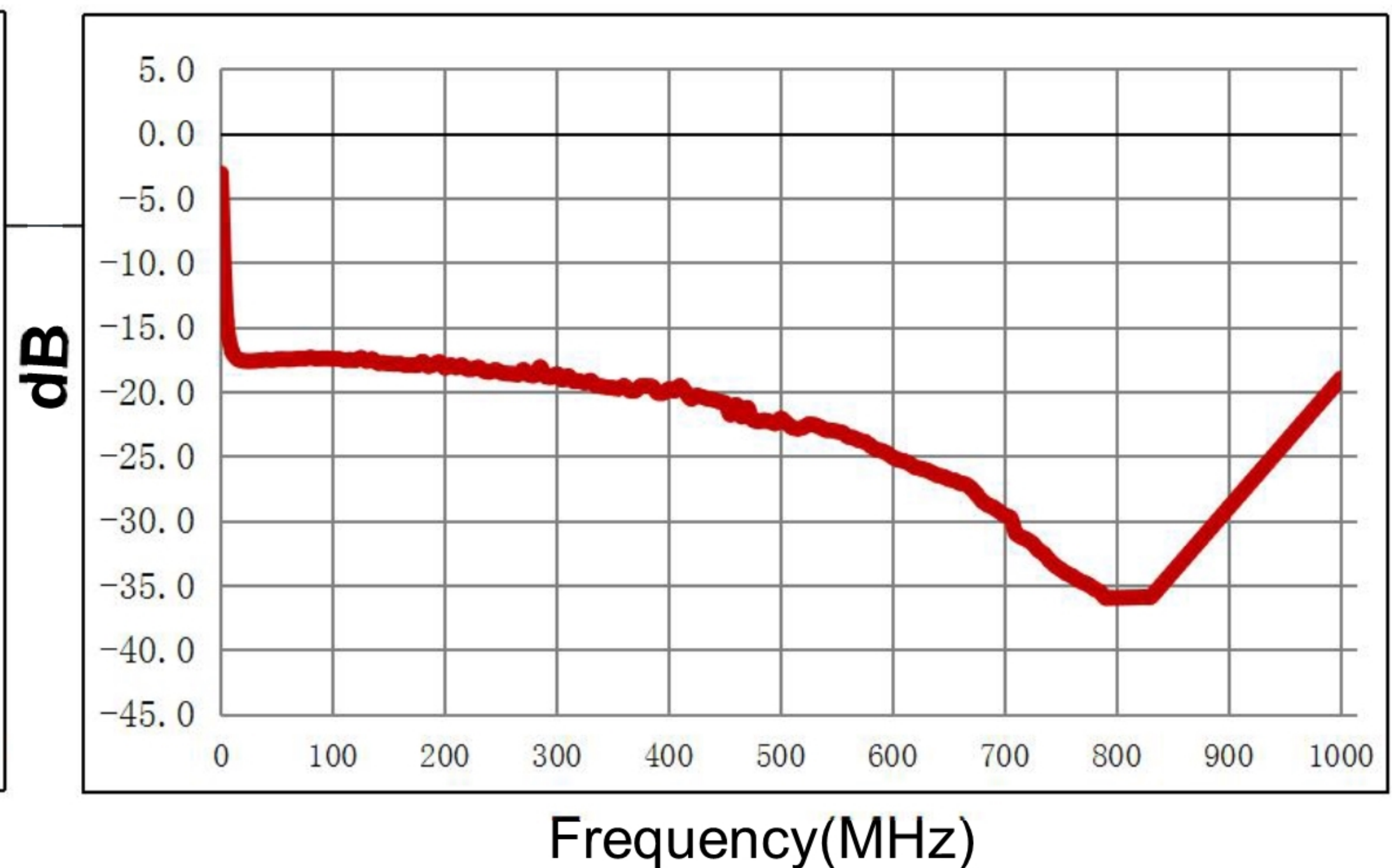
Phase Balance



Input Return Loss



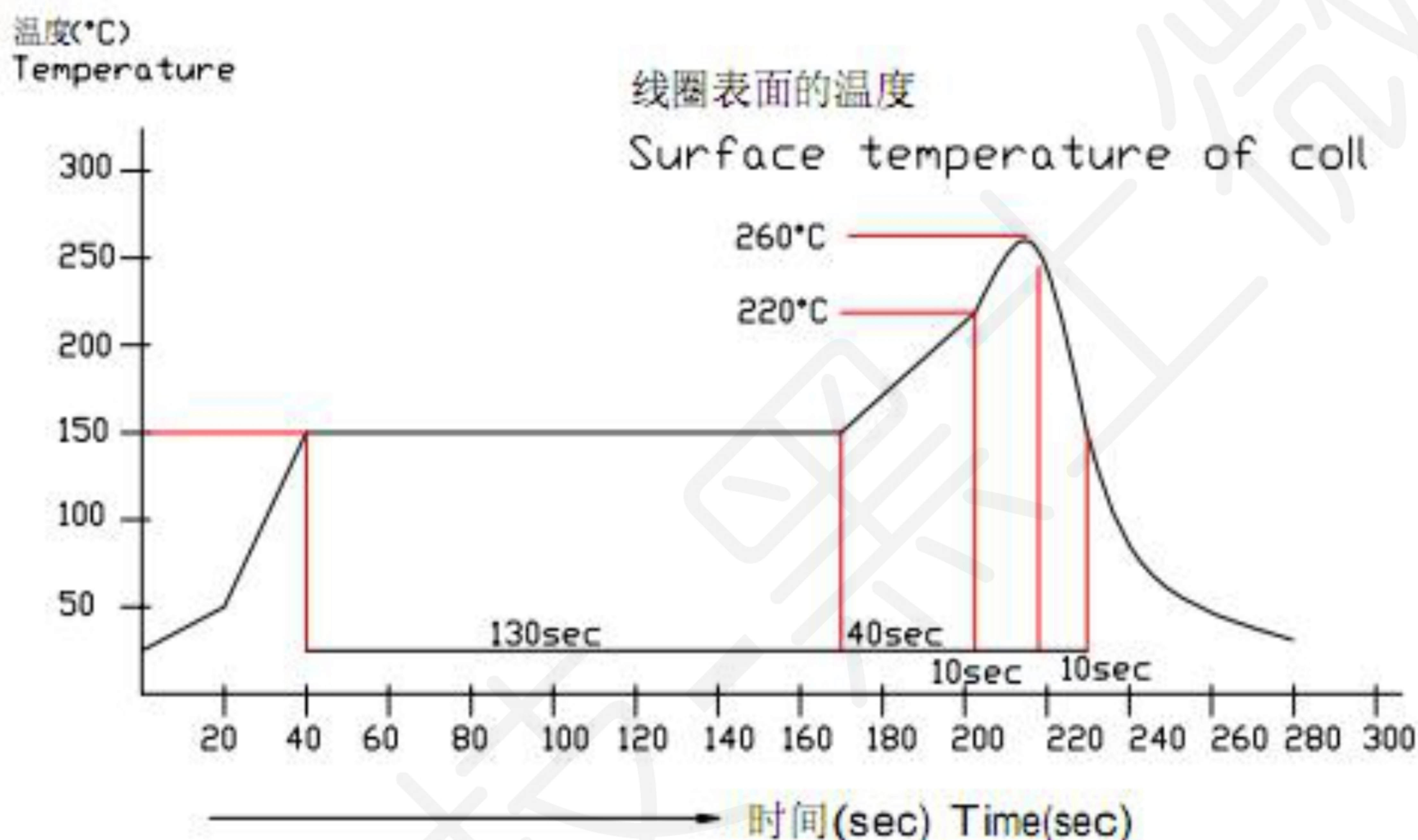
Sdd22



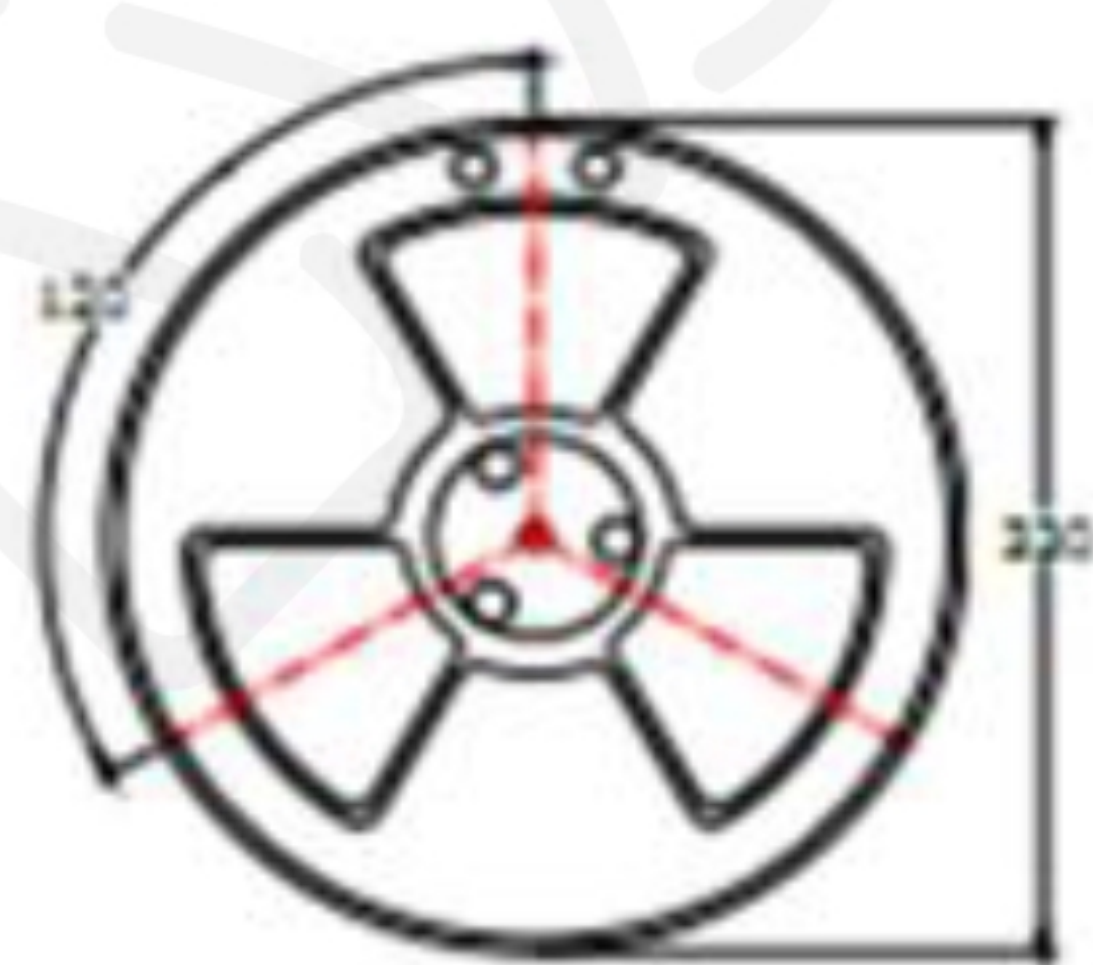
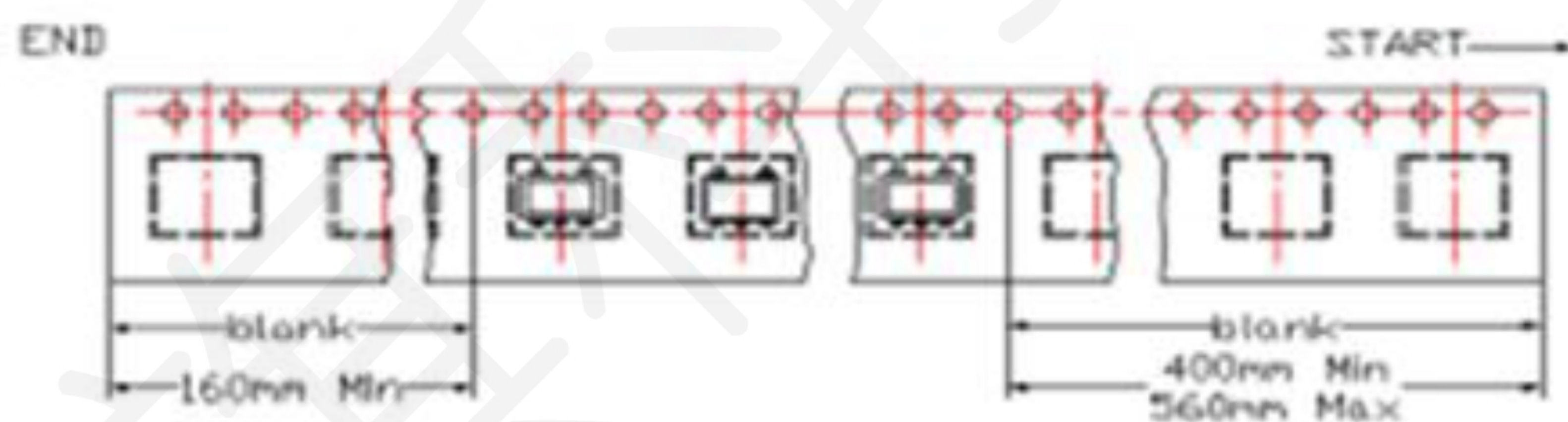
Recommended Soldering Temperature Graph:



建议迴焊条件
The condltion of reflow
(Recommendation)



Packging Dimension For Caeier Tape(UNIT:mm):



SPEC	8	12	16	24	32	44	56	72
DIM A±0.1	8.5	12.5	16.5	24.5	32.5	44.5	56.5	72.5
DIM B±0.1	2.3	2.3	2.3	2.3	2.3	2.3	2.3	2.3
DIM C±0.1	100	100	100	100	100	100	100	100

QUANTITY

2000PCS/Reel

15 reel/Big carton/60000pcs