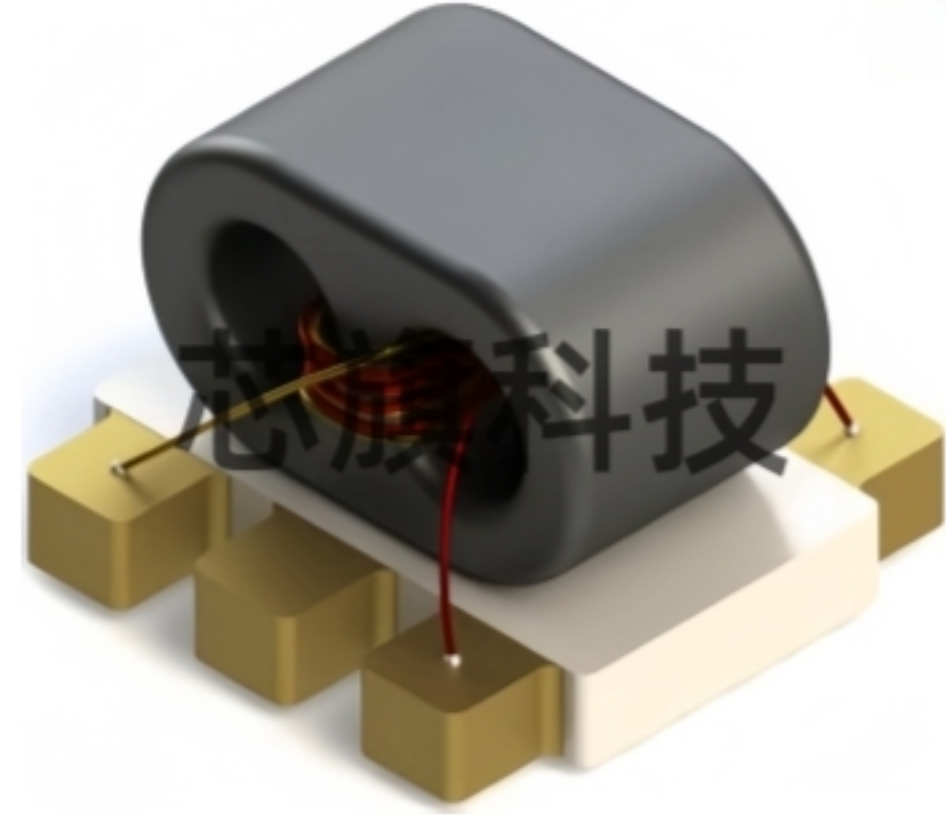


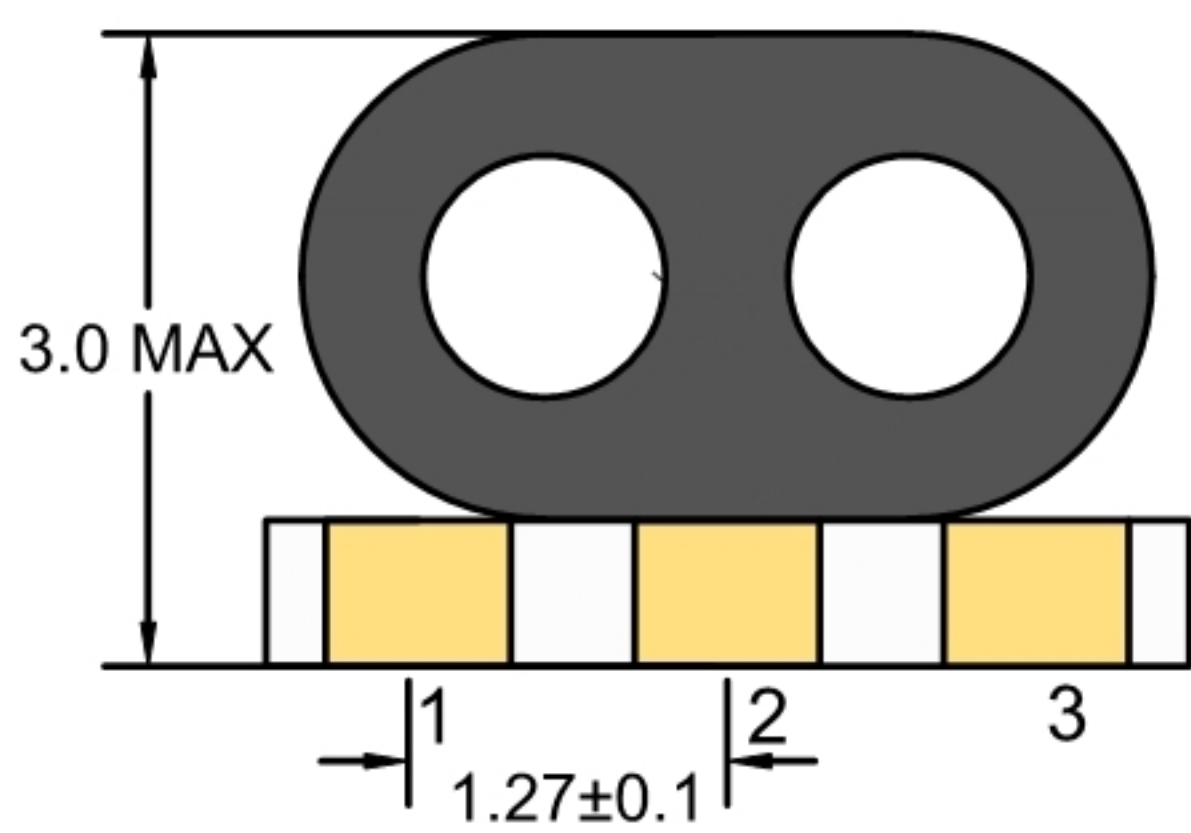
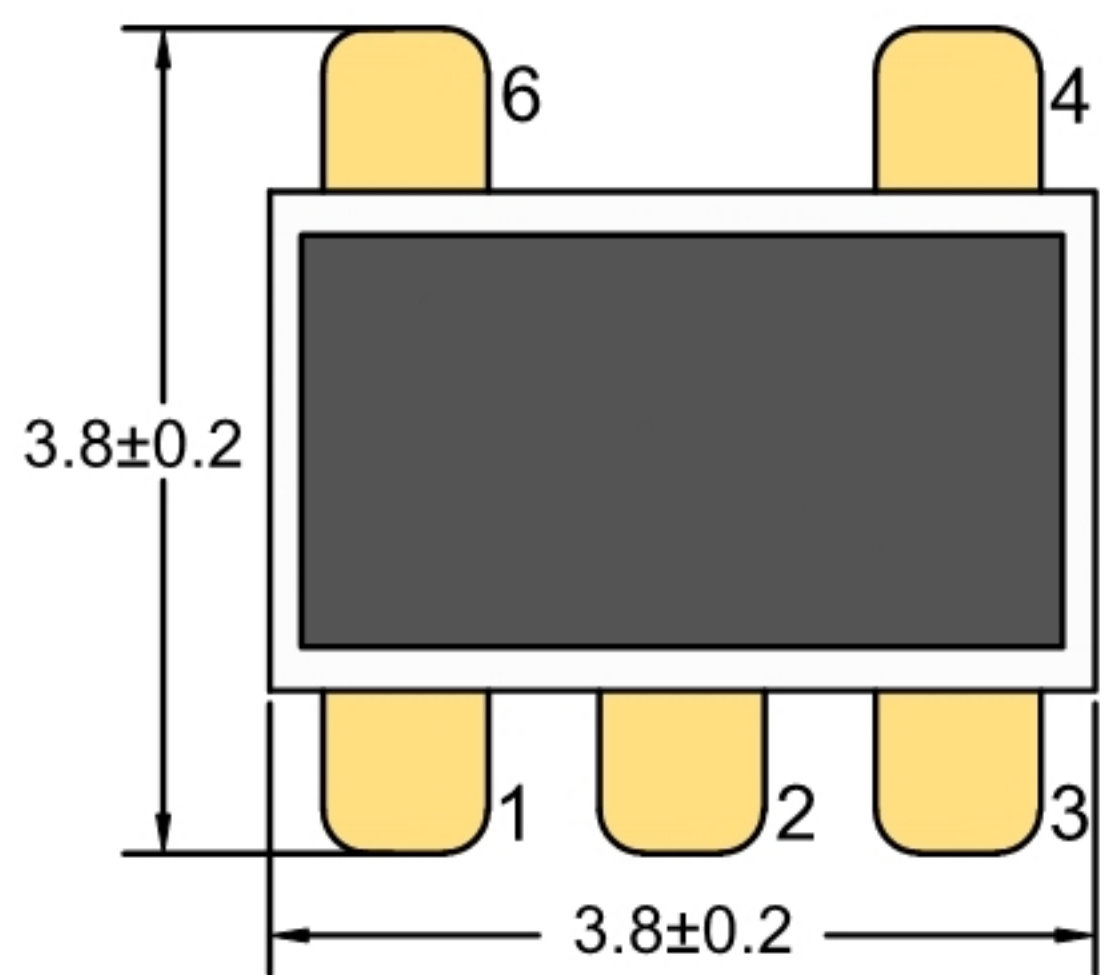
# RF Balun Transformer HTW-007159



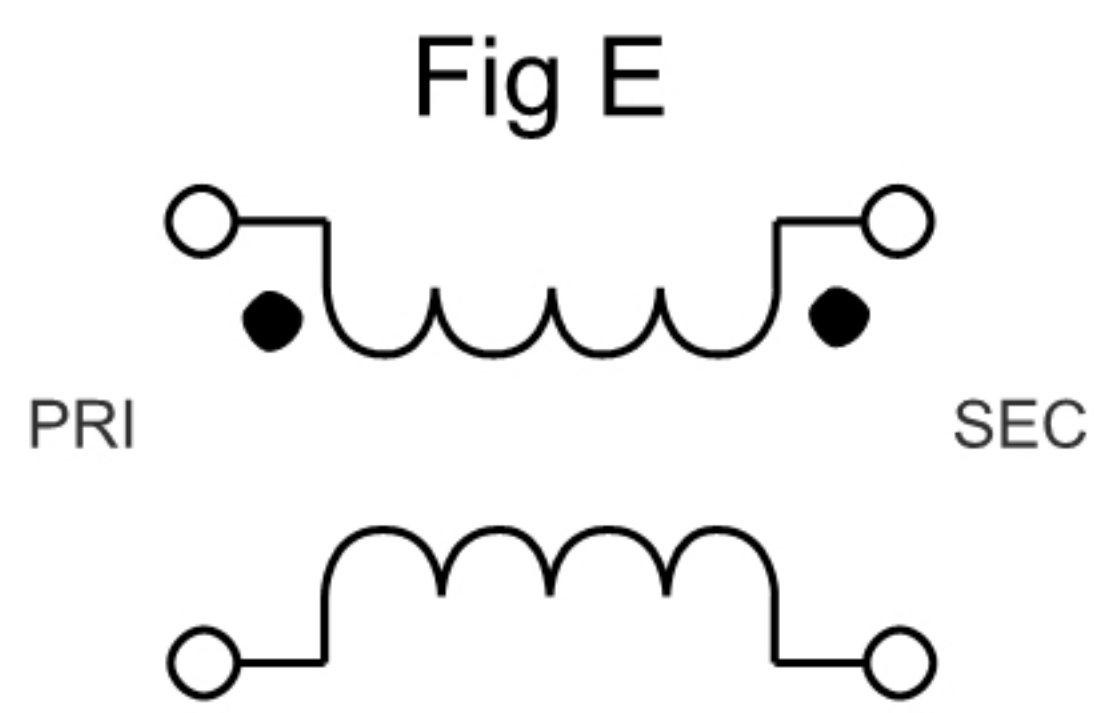
1:1 Transmission Line Transformer 50Ω 5-4000 MHz & 75Ω 5-1002 MHz



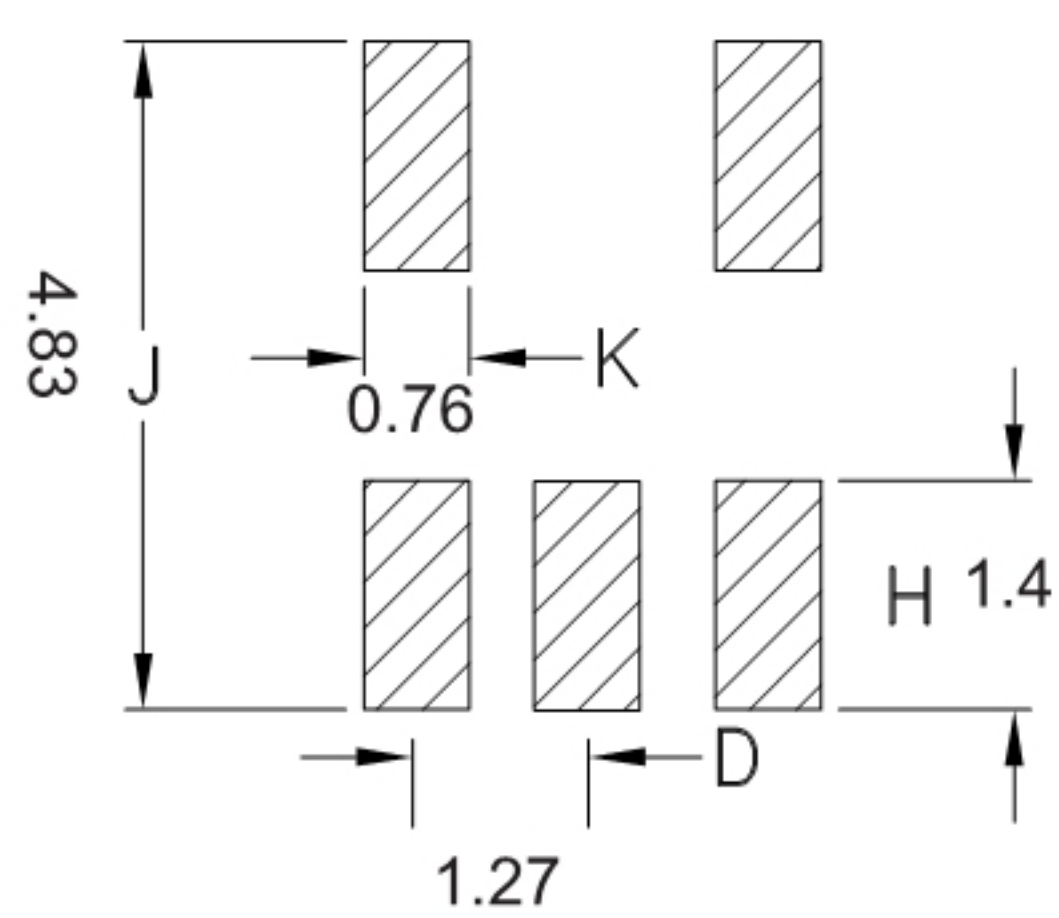
## Outline Drawing(mm)



## Electrical structure



## Recommended layout(mm)



## Pin Connections

Input	4
Output 1	3
Output 2	1
Ground	6

## Features

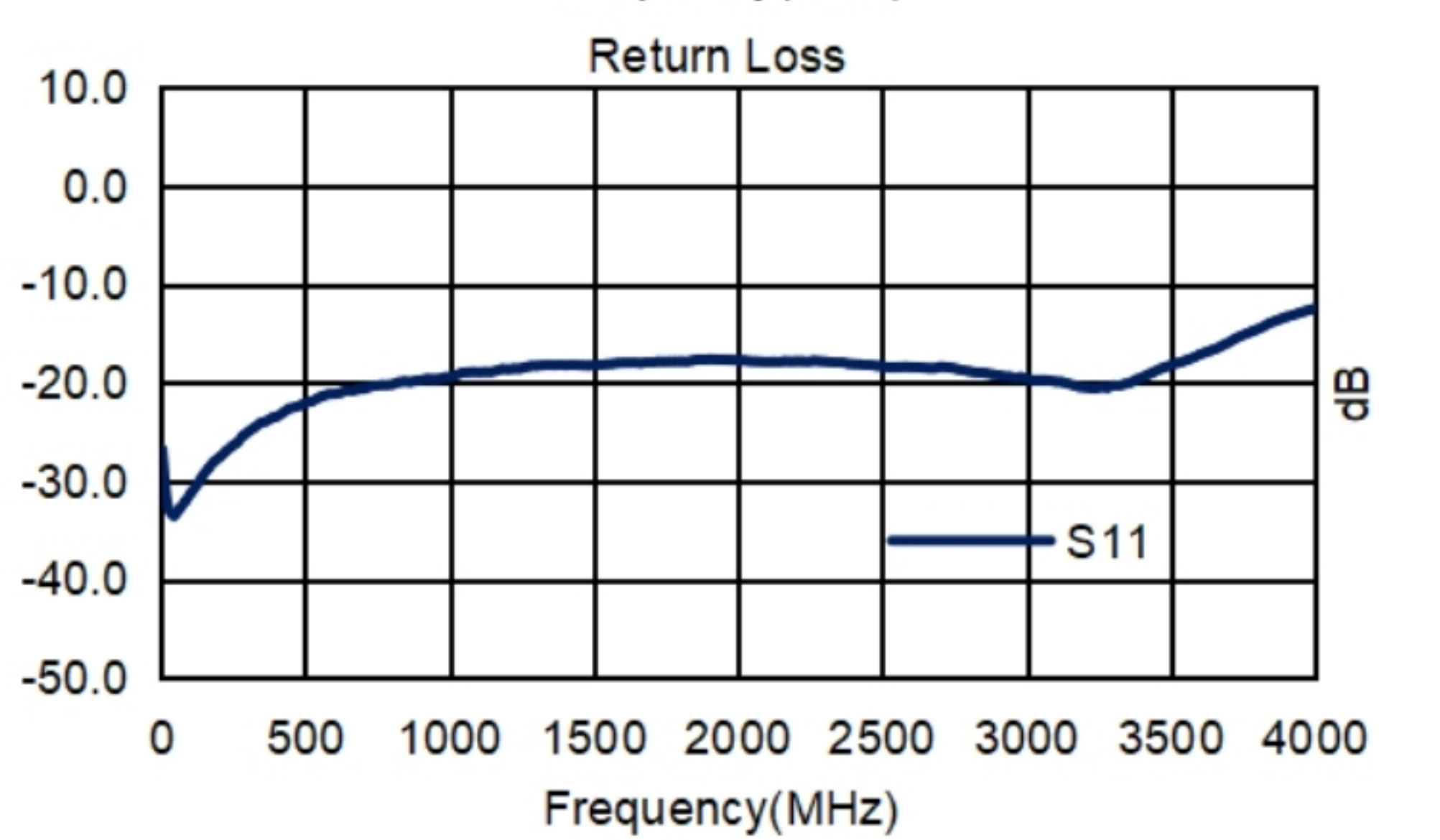
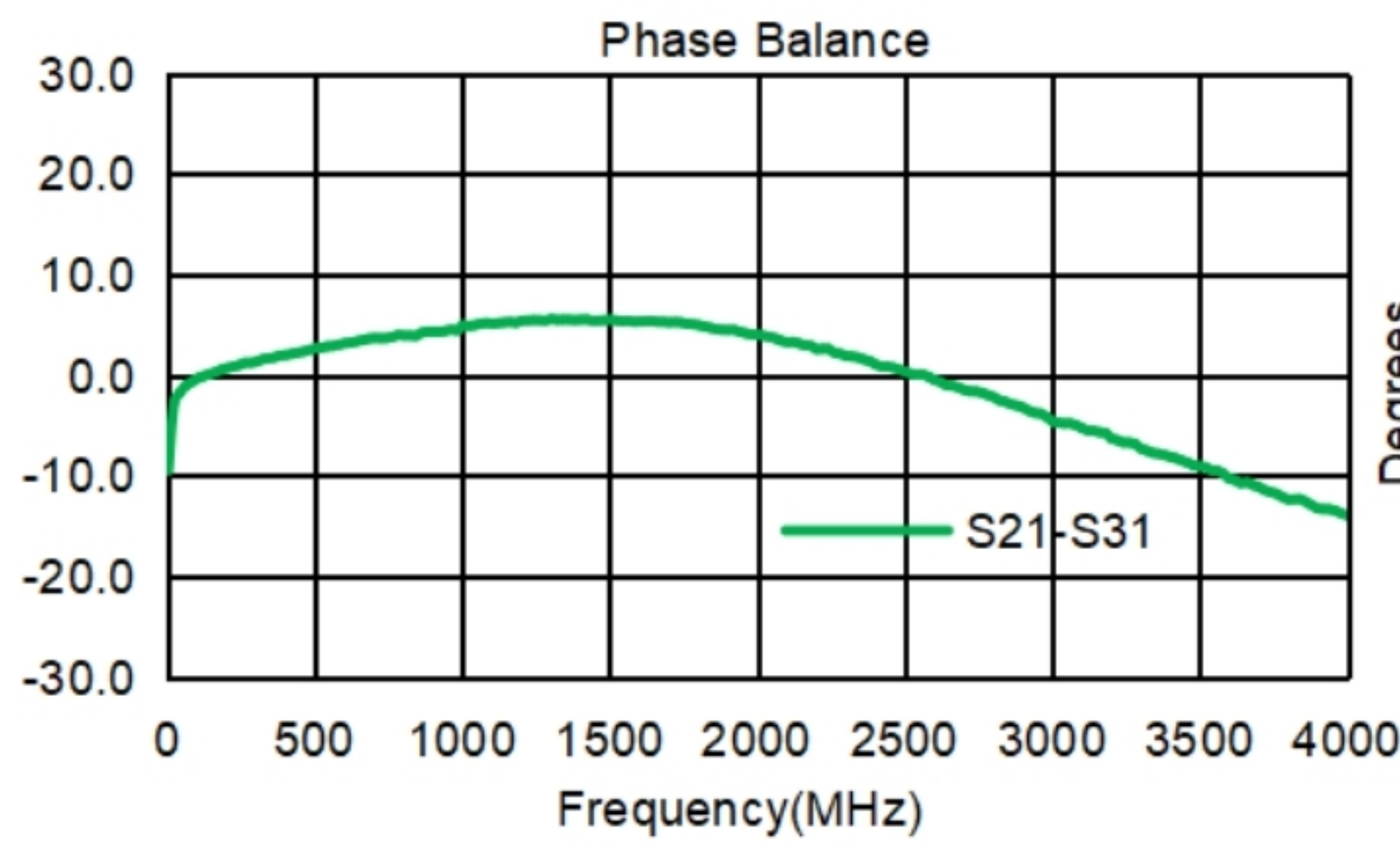
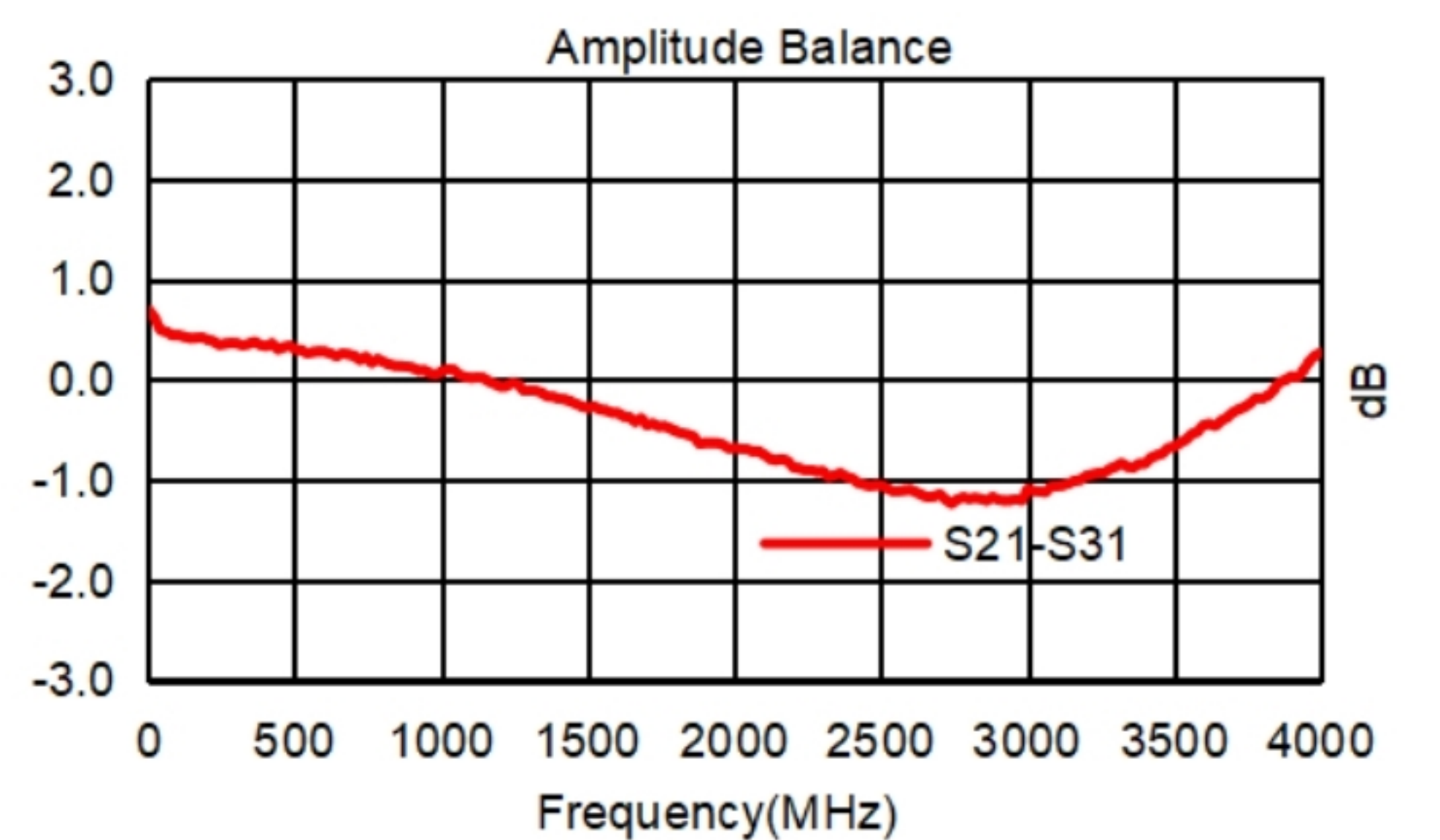
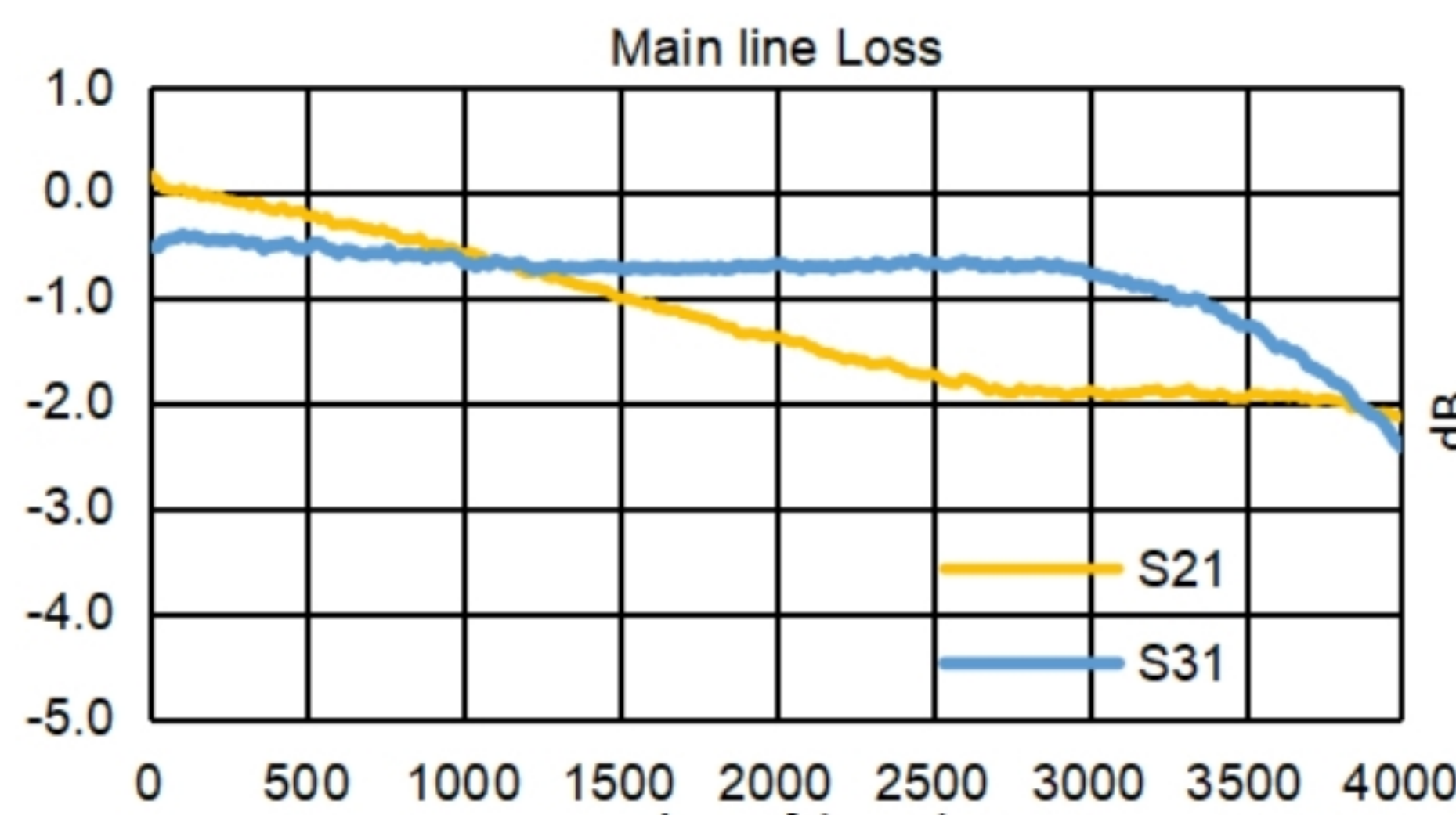
- RF Power, 0.50W
- DC Current, 500 mA
- 260°C Reflow Compatible
- RoHS compliant and lead free
- Operating temperature range: -40°C to +85°C
- Storage temperature range: -55°C to +100°C

## Applications

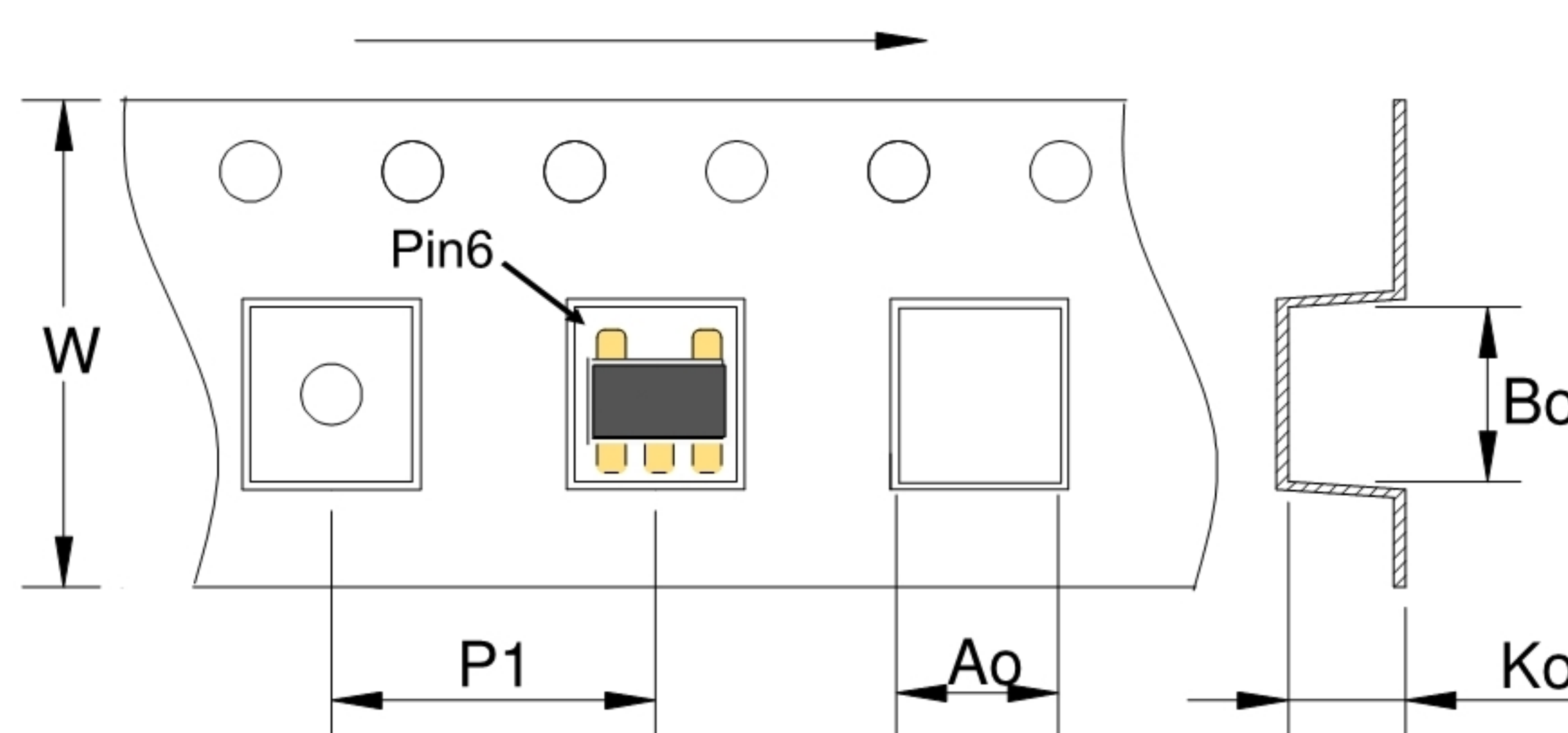
- For Motorola Walkie-talkie.
- For Car Streaming Media Rearview Mirror.
- For Broadband and Wireless Communications.
- For Wireless Microphone & Marine Communications.
- For Ideally Suited LTE, Cellular, UMTS, WiFi, WiMAX.
- For Differential Modulator/demodulator and Active Mixers.

## Electrical Specifications: TA=25°C, 0dBm, Z0=50Ω

Parameter	Test Conditions	Units	Min	Typ	Max
Main line Loss (Pin4-3)	5-4000MHz	dB	—	2.0	3.5
Main line Loss (Pin4-1)	5-4000MHz	dB	—	2.0	3.5
Amplitude Balance	5-4000MHz	dB	—	1.0	2.0
Phase Balance	5-4000MHz	°	—	15.0	25.0
Input Return Loss(Pin4)	5-4000MHz	dB	10.0	20.0	—



## Carrier Tape Orientation



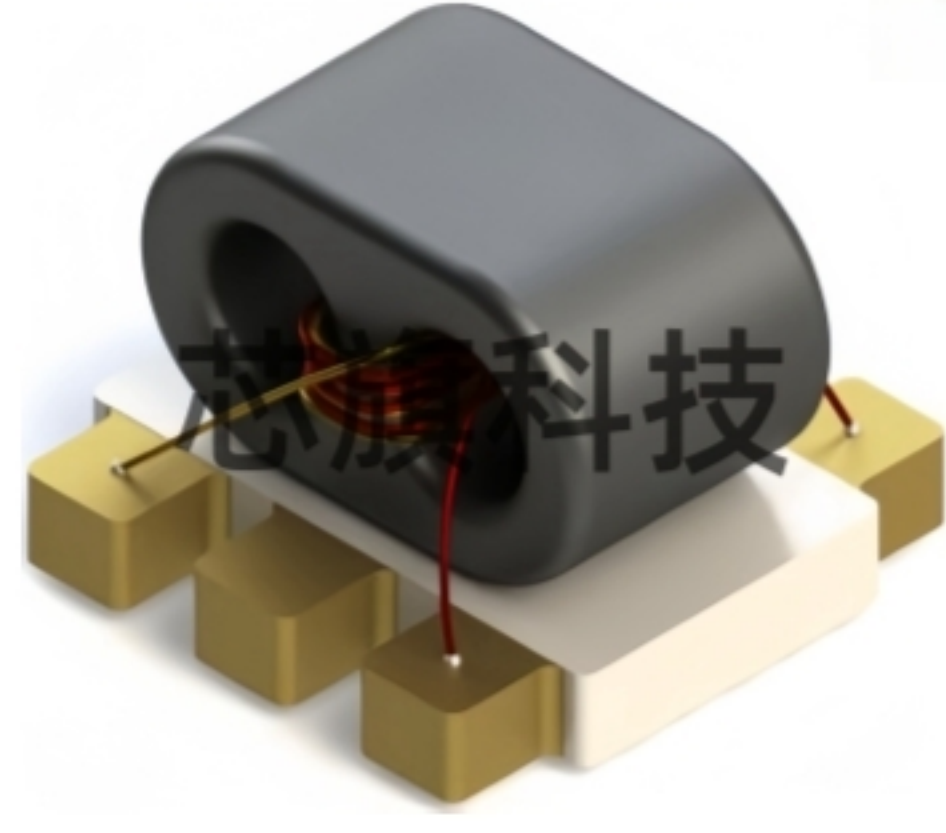
## Tape & Reel Information

Parameter	Units	Value
Qty per reel	PCS	2000
Reel Size	mm	330
Tape Width	mm	12.00
Pitch	mm	8.00
Ao	mm	4.50
Bo	mm	4.50
Ko	mm	3.20

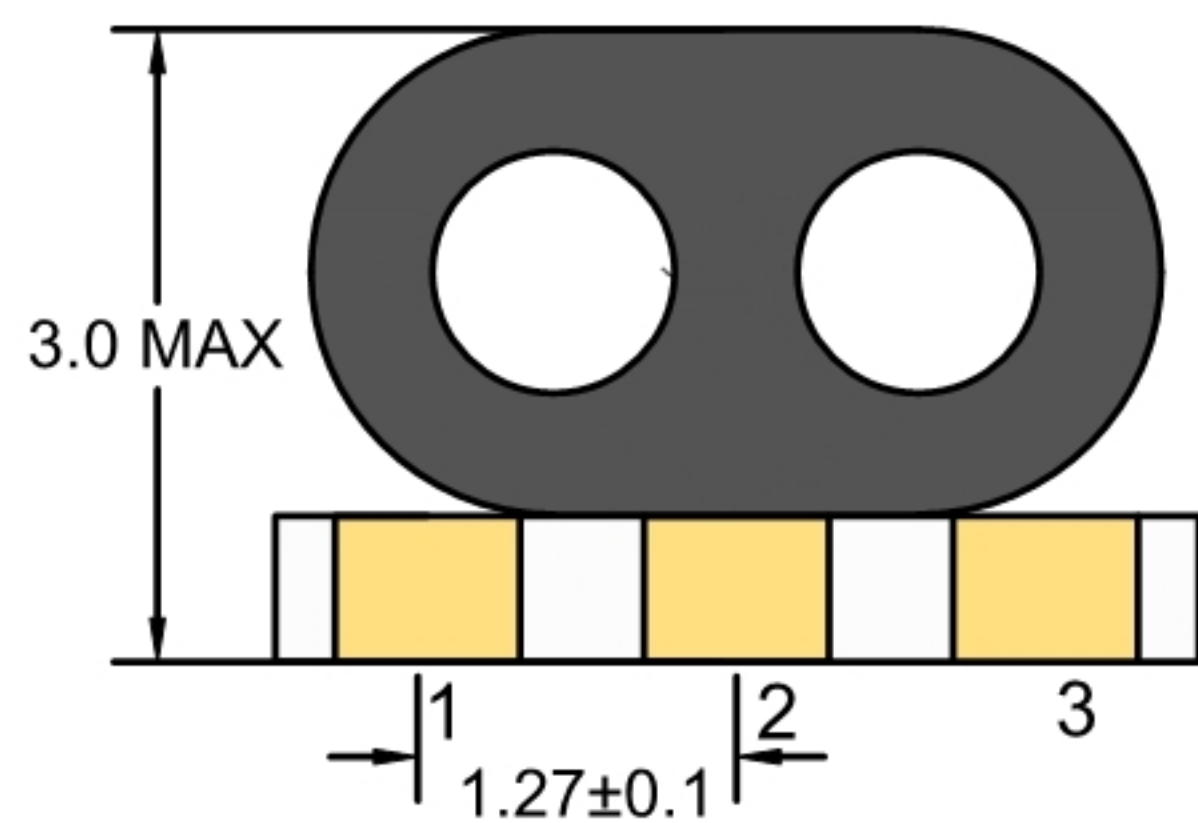
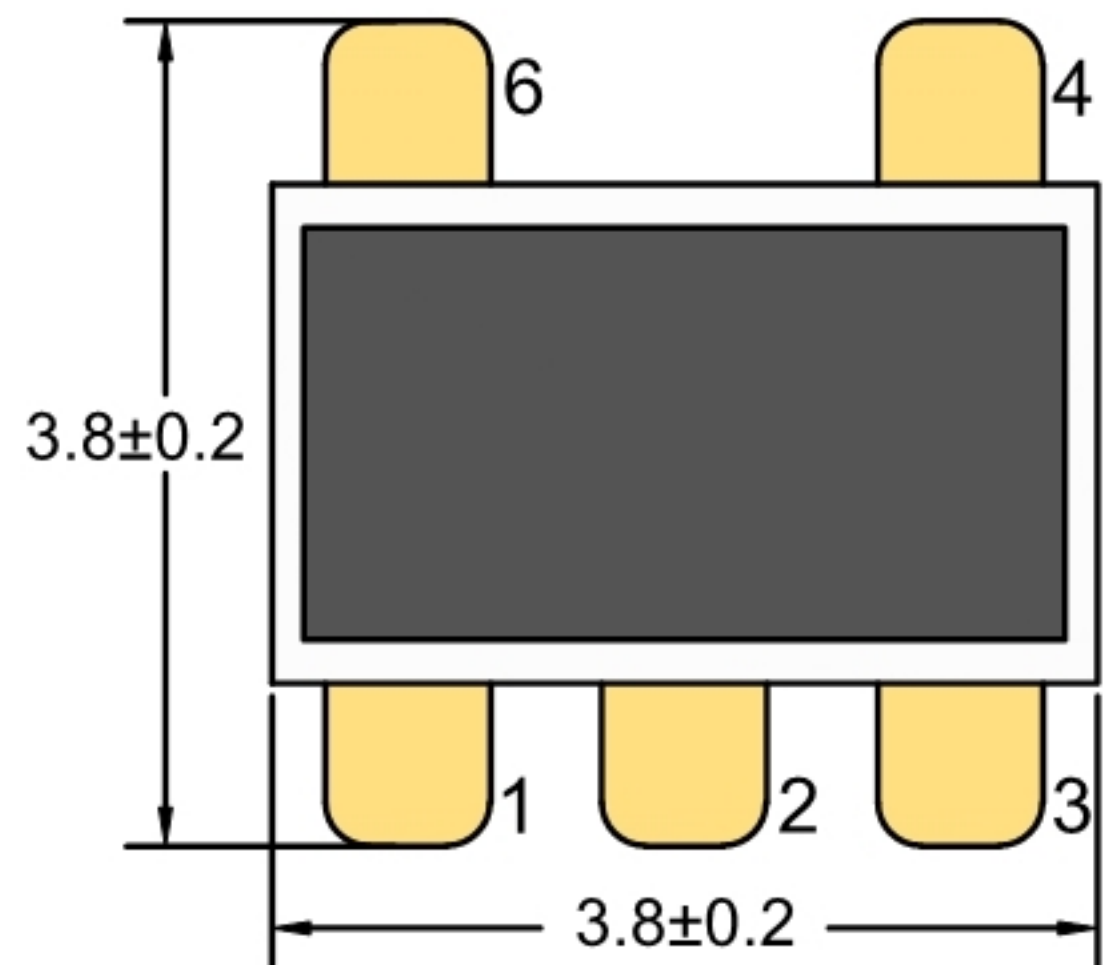
# RF Balun Transformer HTW-007159



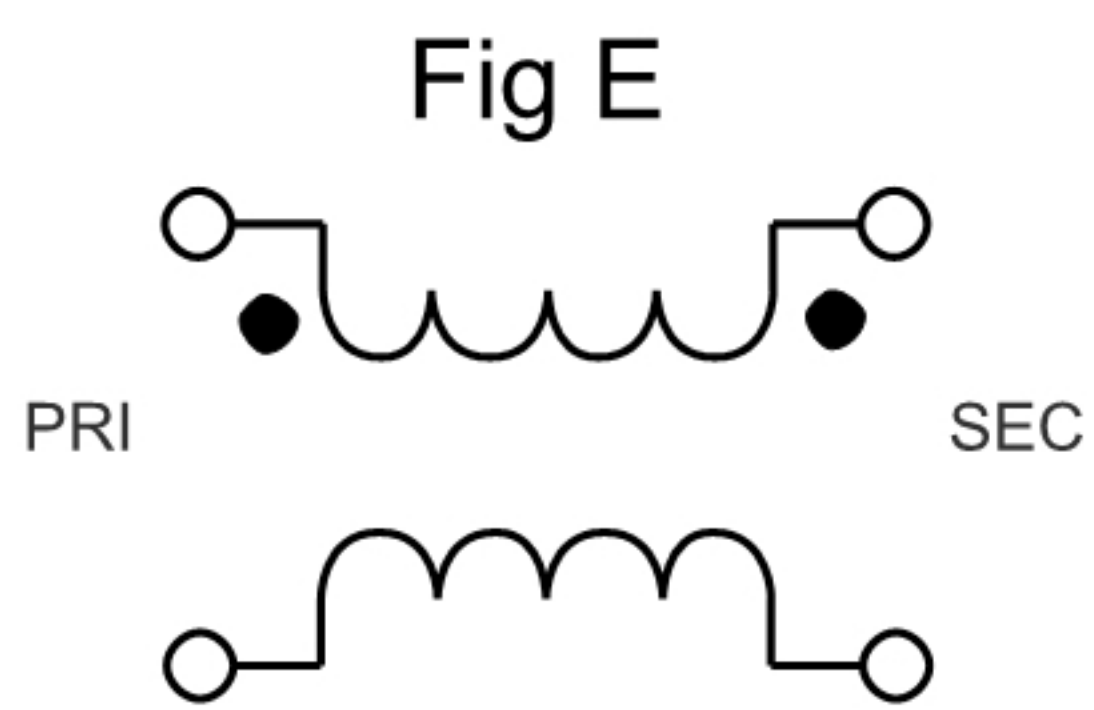
1:1 Transmission Line Transformer 50Ω 5-4000 MHz & 75Ω 5-1002 MHz



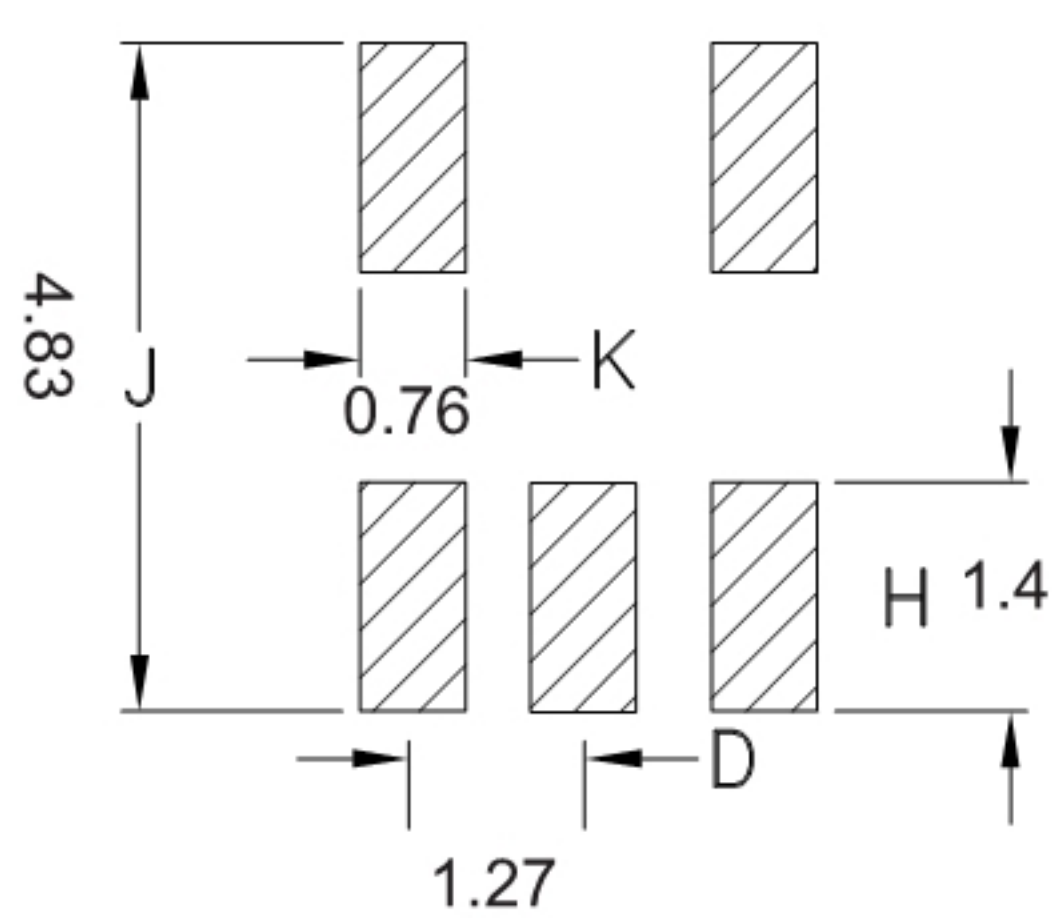
## Outline Drawing(mm)



## Electrical structure



## Recommended layout(mm)



## Pin Connections

Input	6
Output 1	3
Output 2	1
Ground	4

## Features

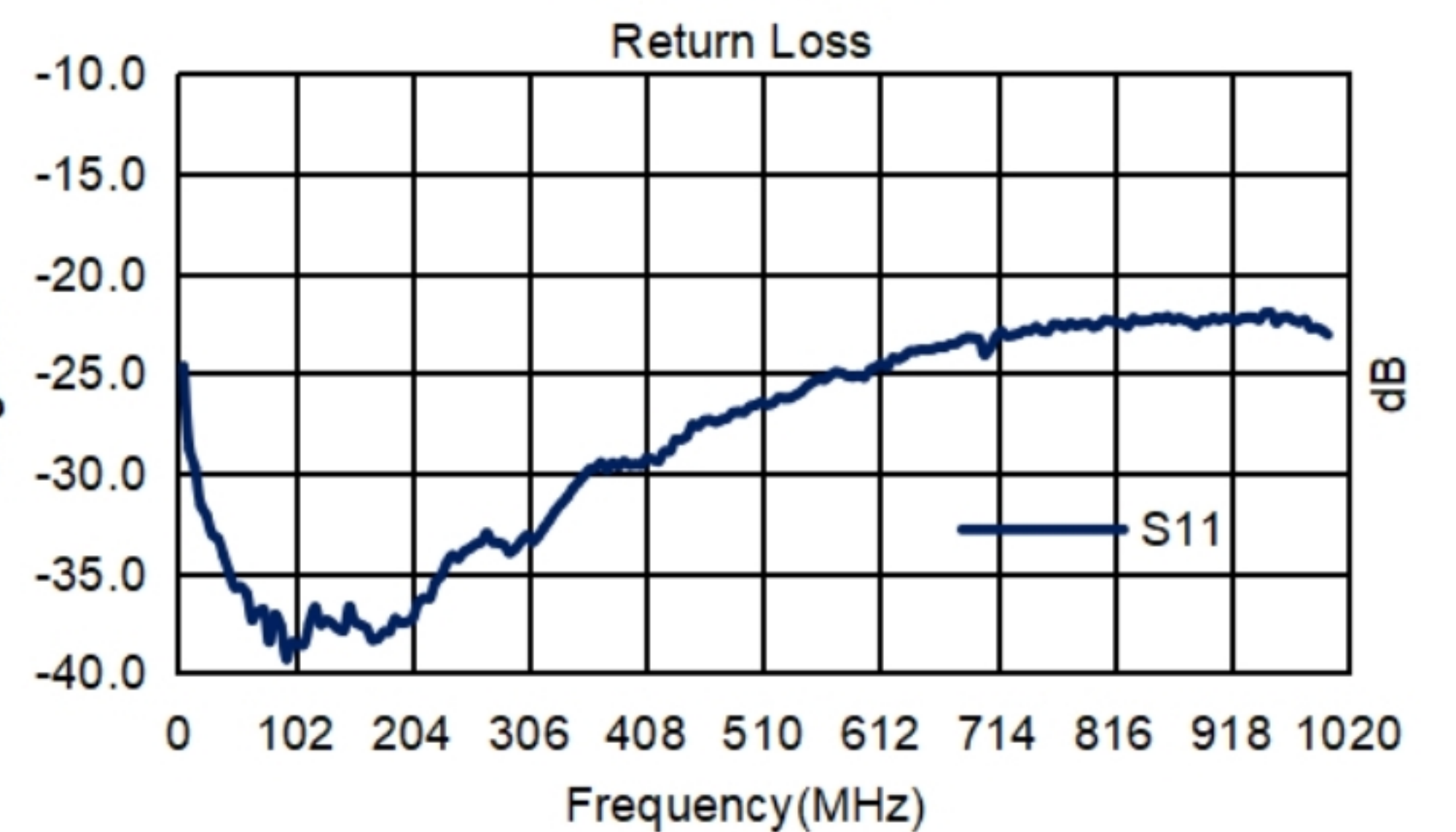
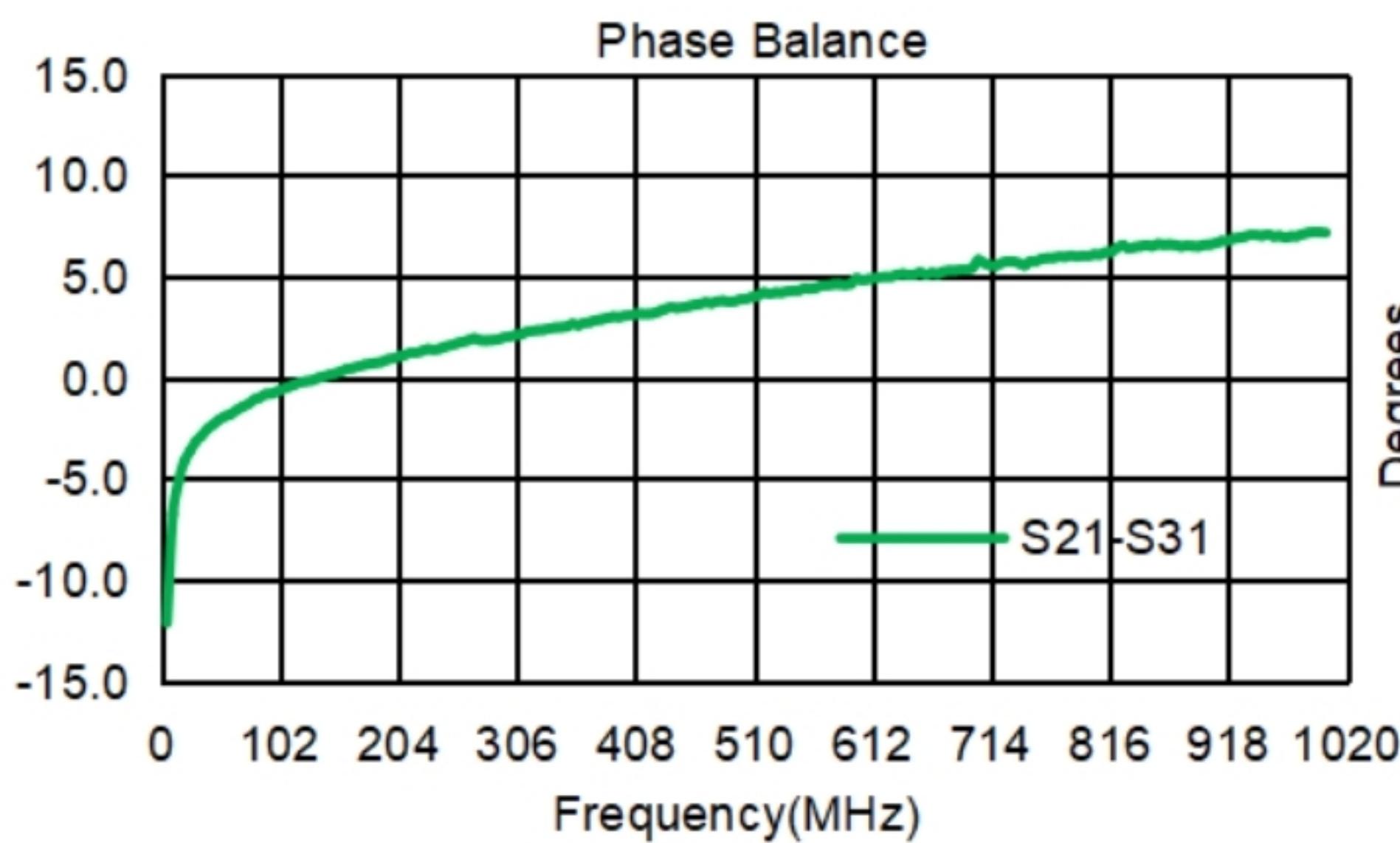
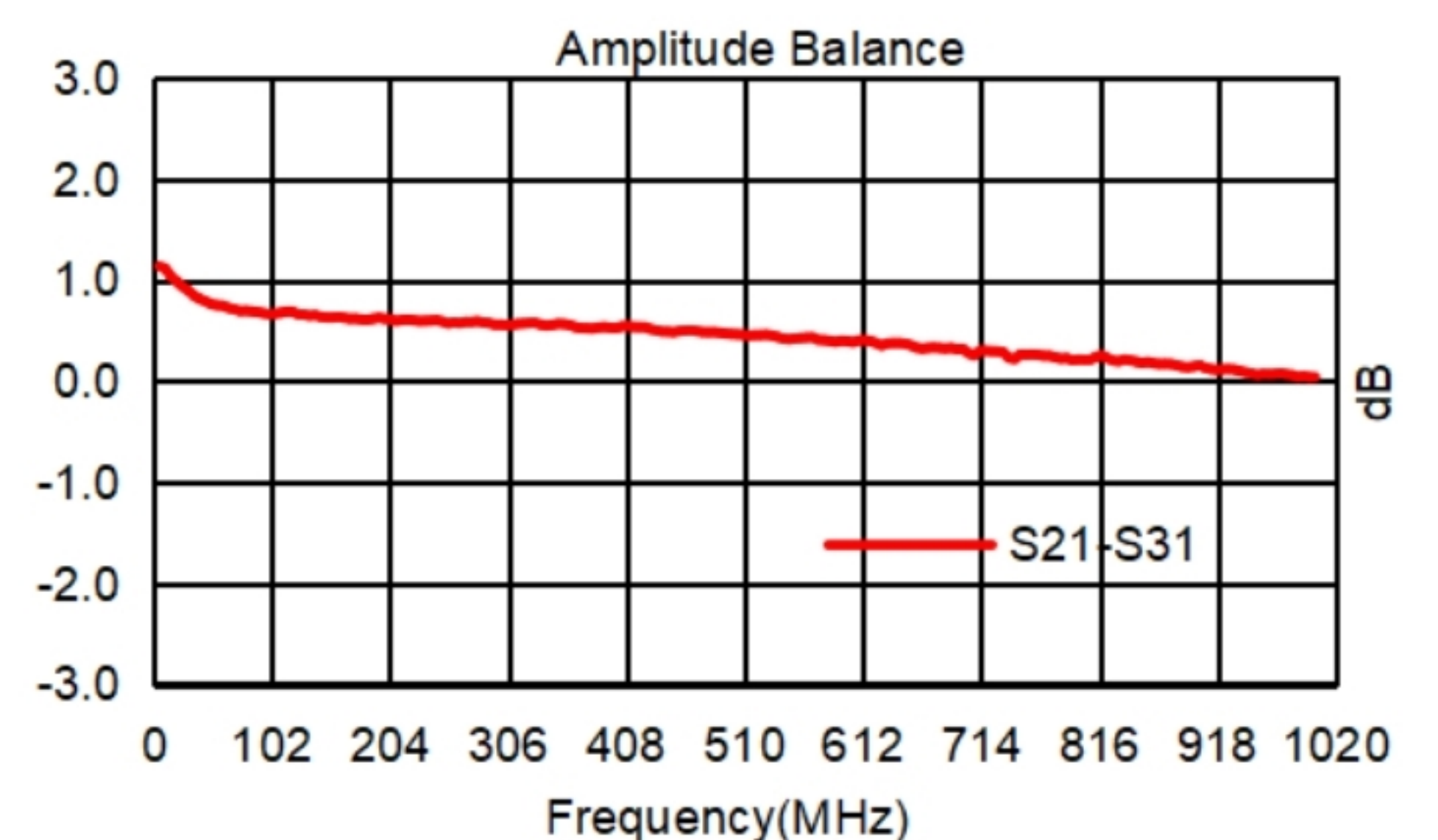
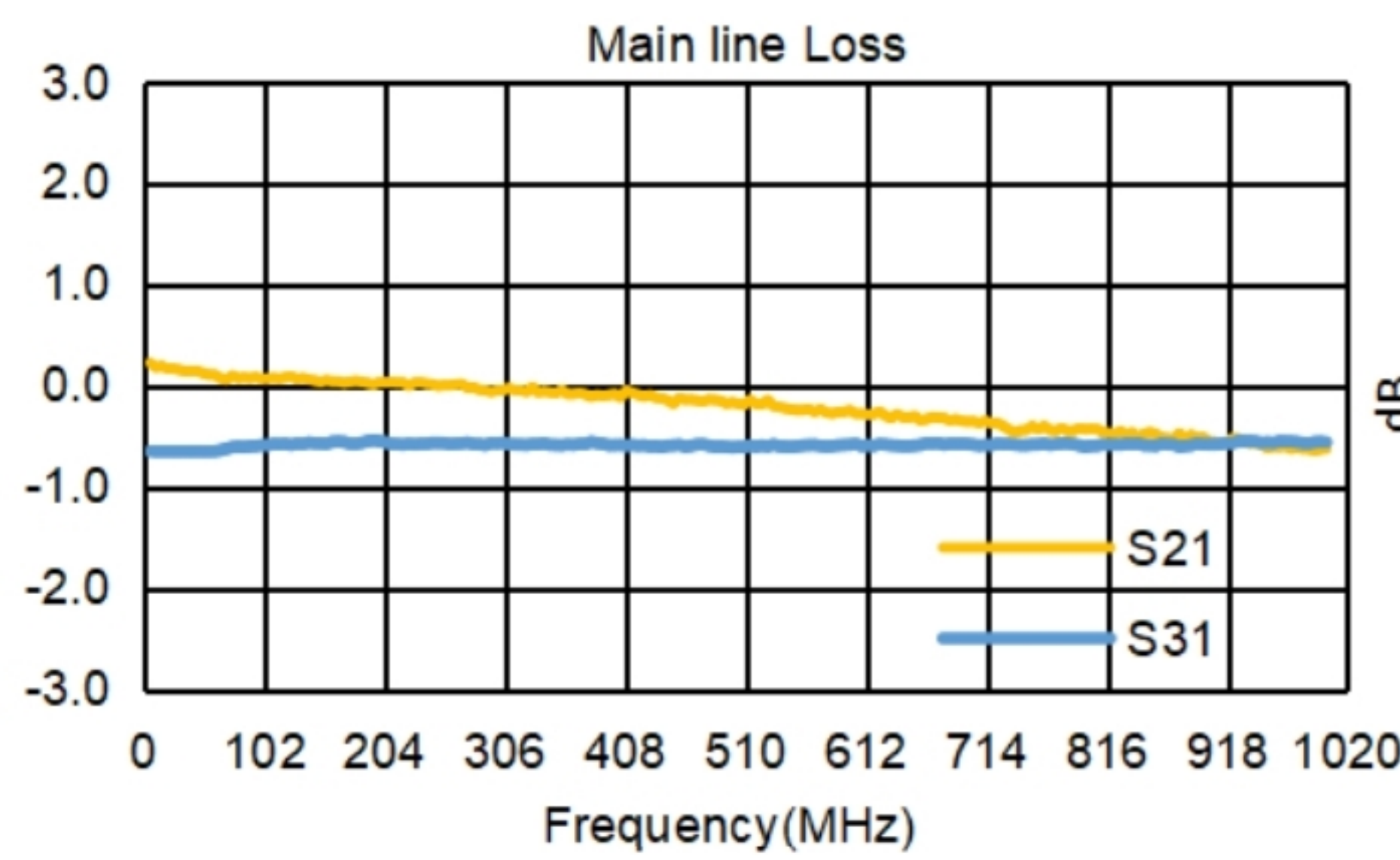
- RF Power, 0.50W
- DC Current, 500 mA
- Operating temperature range: -40 °C to +85 °C
- Storage temperature range: -55 °C to +100 °C
- 260°C Reflow Compatible
- RoHS compliant and lead free

## Applications

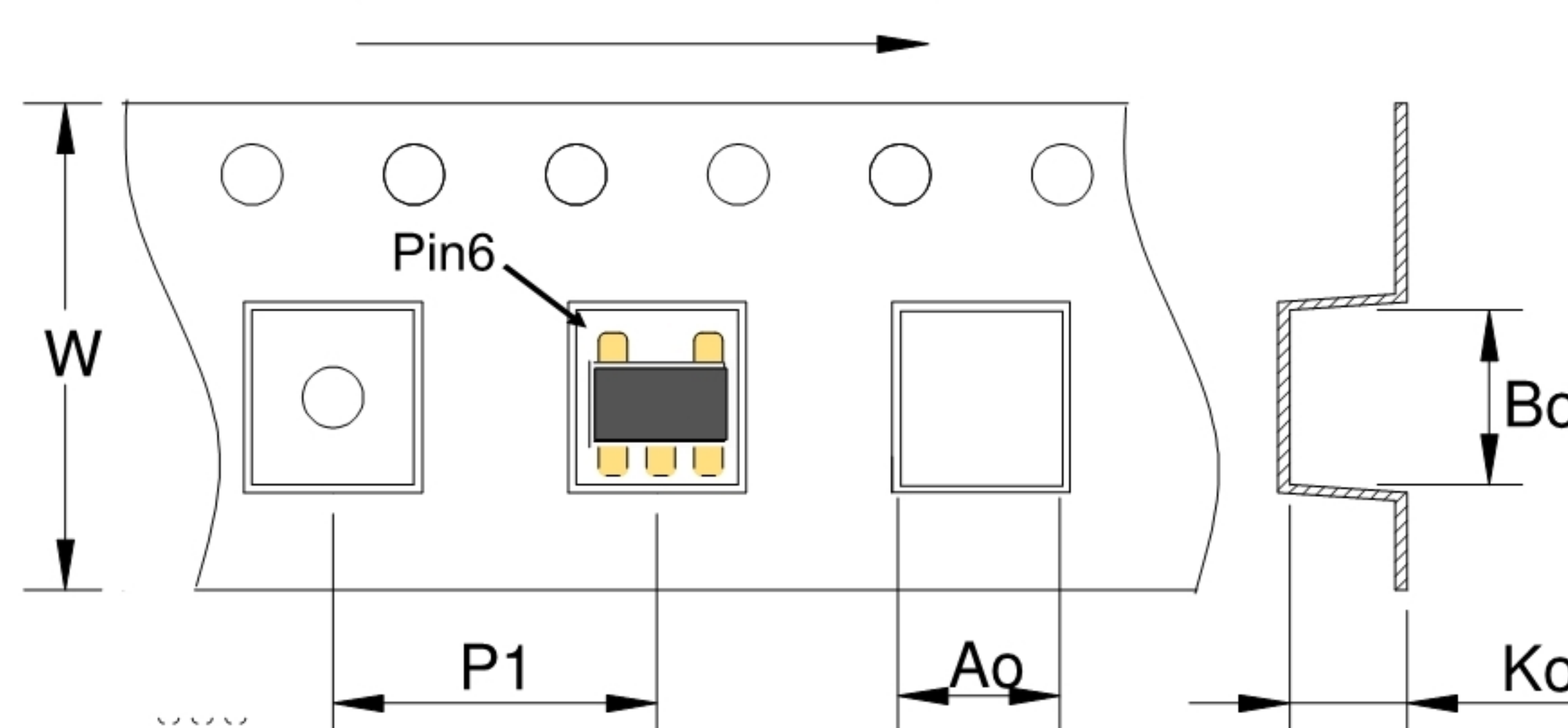
- For Docsis 3.0 & 3.1 Cable Modem.
- For Wideband Push-pull Amplifiers.
- For CATV Amplifiers Module & Set top box.
- For CATV Optical Receivers and Amplifiers.
- For VHF/UHF Transmitters and Push-pull Amplifiers.

## Electrical Specifications:TA=25 °C, 0dBm, Z0=75Ω

Parameter	Test Conditions	Units	Min	Typ	Max
Main line Loss (Pin6-1)	5-1002MHz	dB	—	0.6	1.2
Main line Loss (Pin6-3)	5-1002MHz	dB	—	0.6	1.2
Amplitude Balance	5-1002MHz	dB	—	0.5	1.5
Phase Balance	5-1002MHz	°	—	8.0	15.0
Input Return Loss(Pin6)	5-1002MHz	dB	16.0	20.0	—



## Carrier Tape Orientation



## Tape & Reel Information

Parameter	Units	Value
Qty per reel	PCS	2000
Reel Size	mm	330
Tape Width	mm	12.00
Pitch	mm	8.00
Ao	mm	4.50
Bo	mm	4.50
Ko	mm	3.20