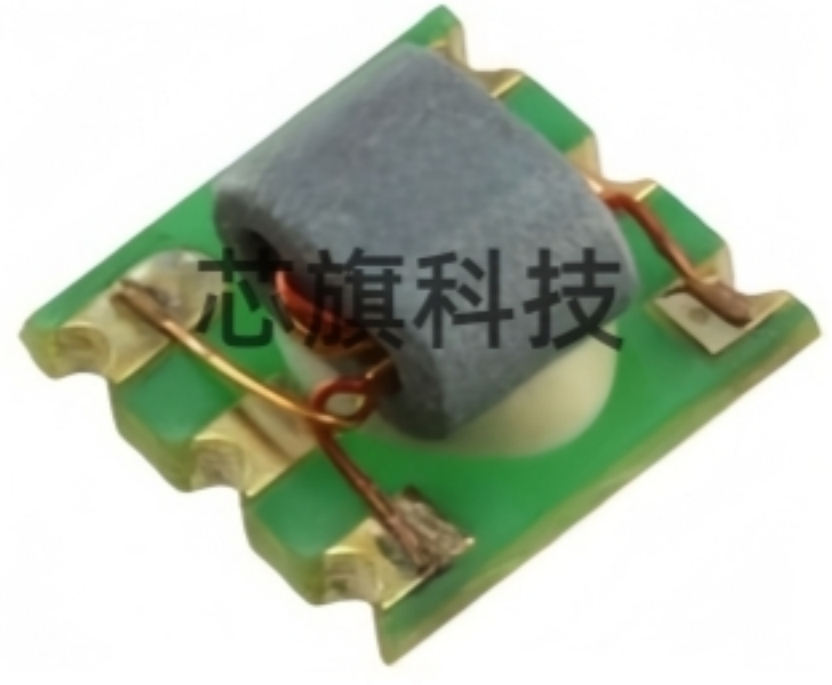


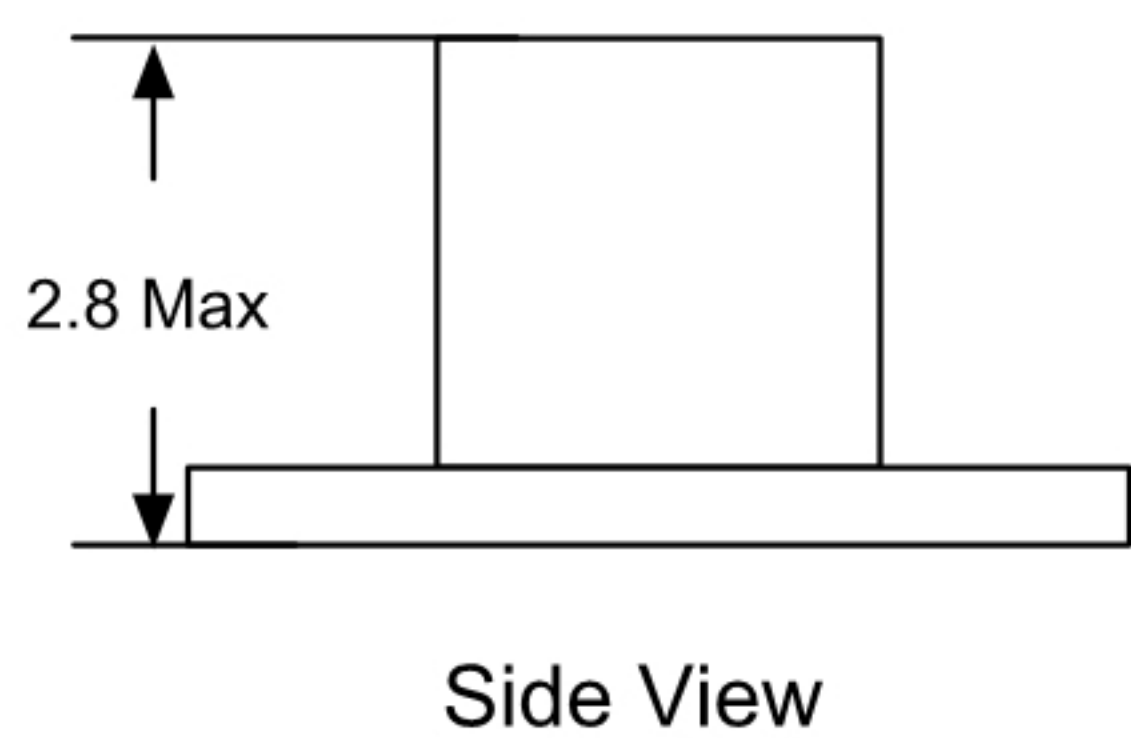
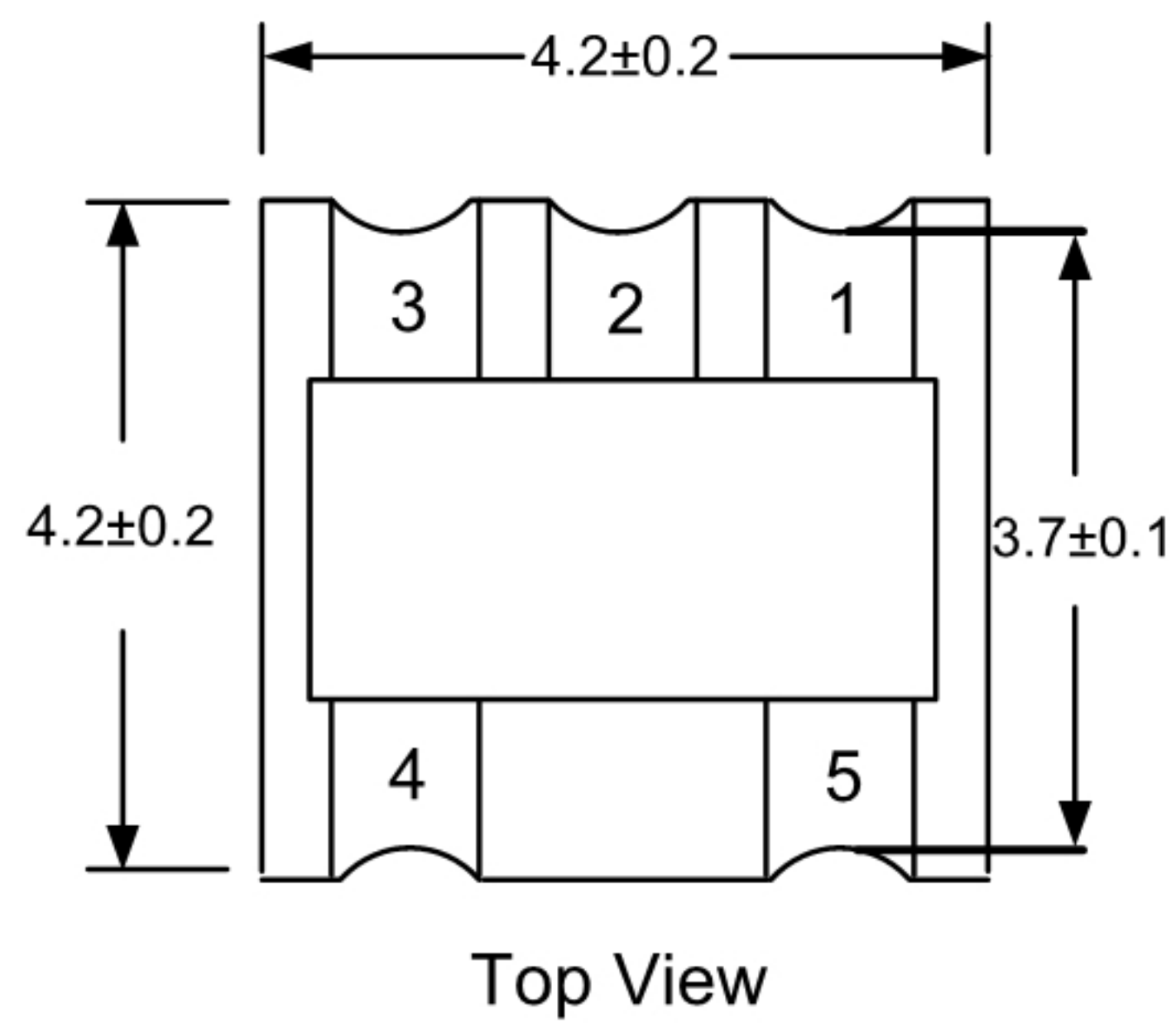
RF Balun Transformer HTW-9503



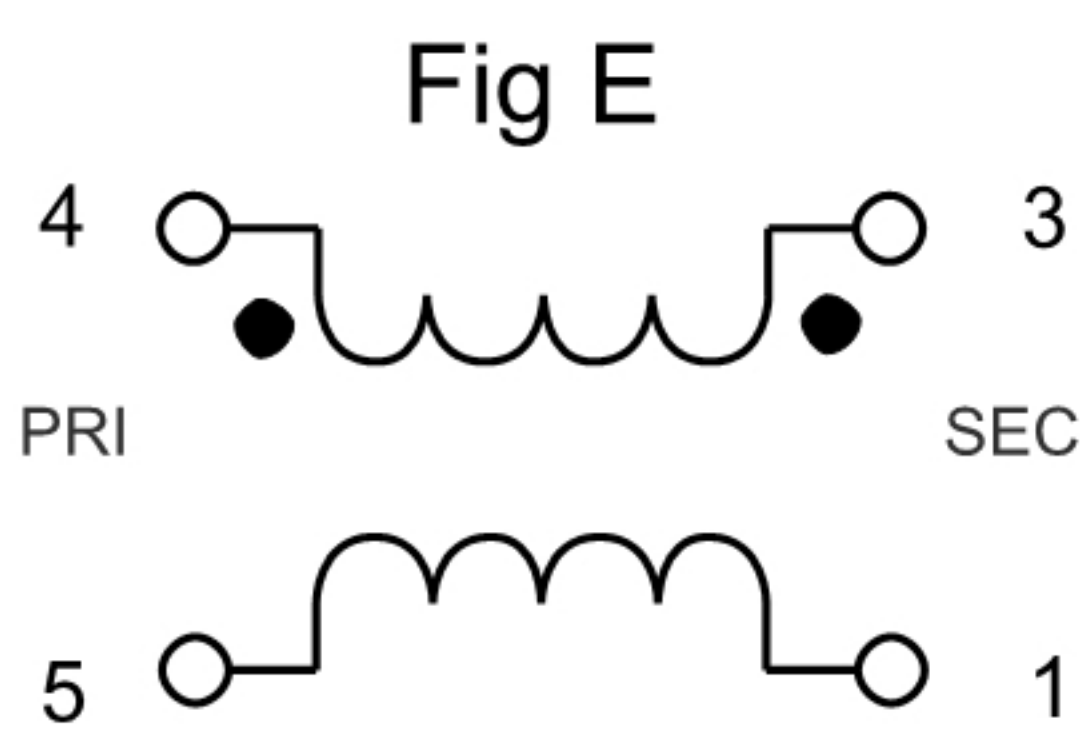
50Ω 1:1 Transmission Line Transformer 3-3000 MHz



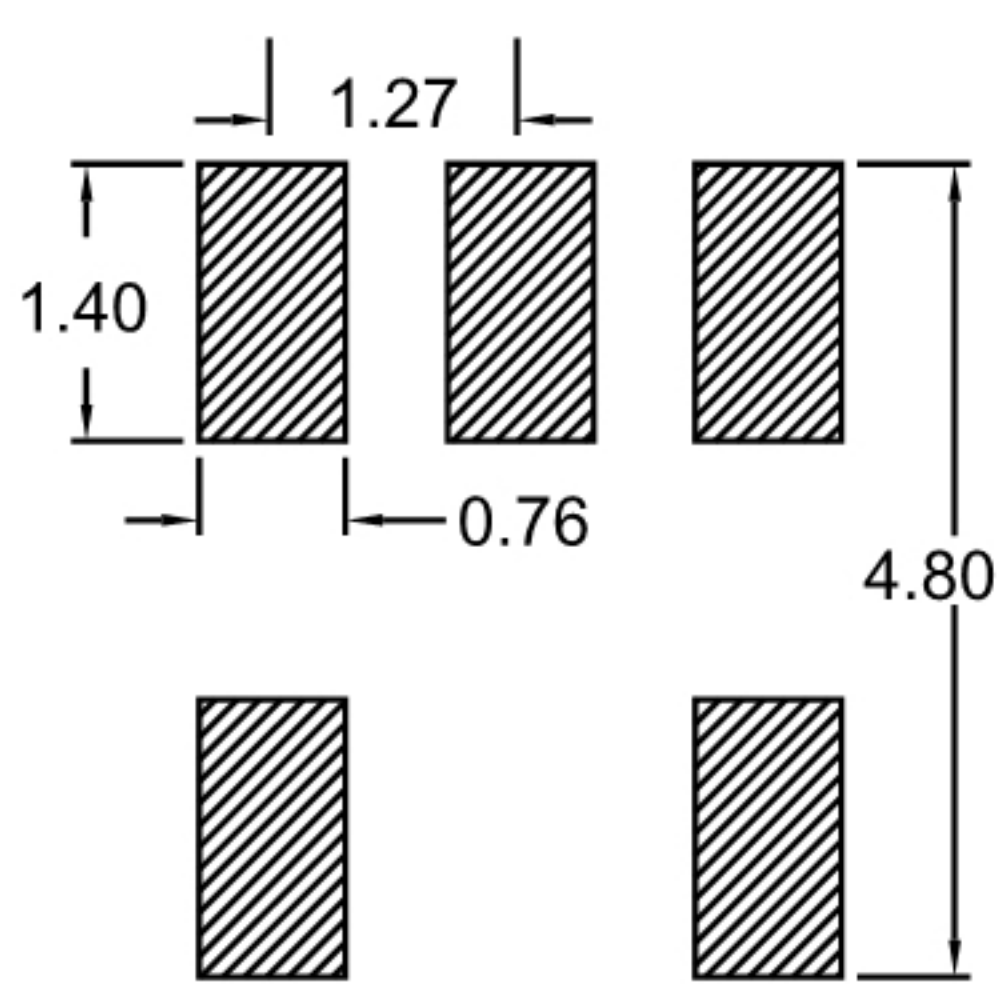
Outline Drawing(mm)



Electrical structure



Recommended layout(mm)



Pin Connections

Pin	Name
1	Secondary
2	NC
3	Secondary Dot
4	Primary Dot
5	Primary

Features

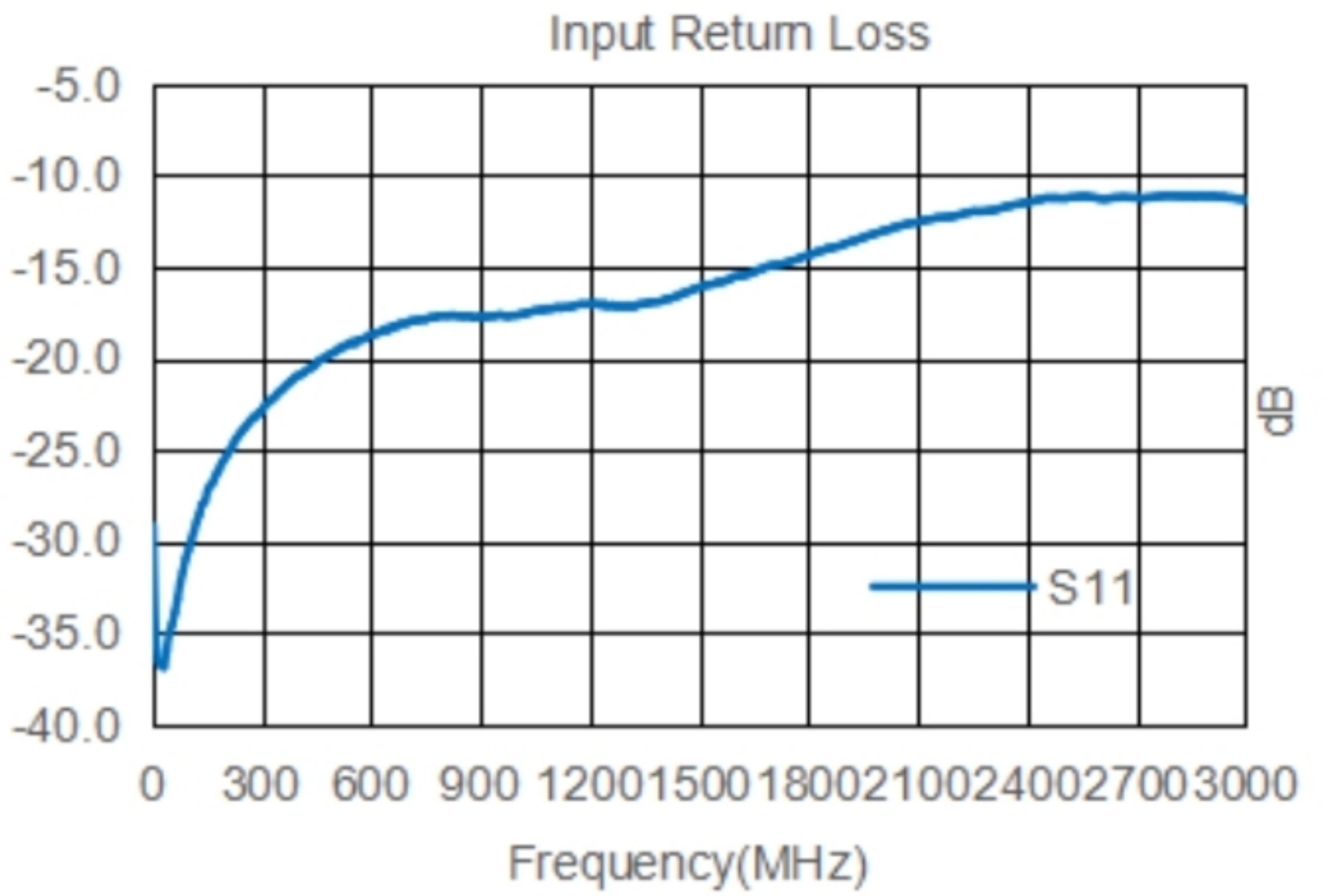
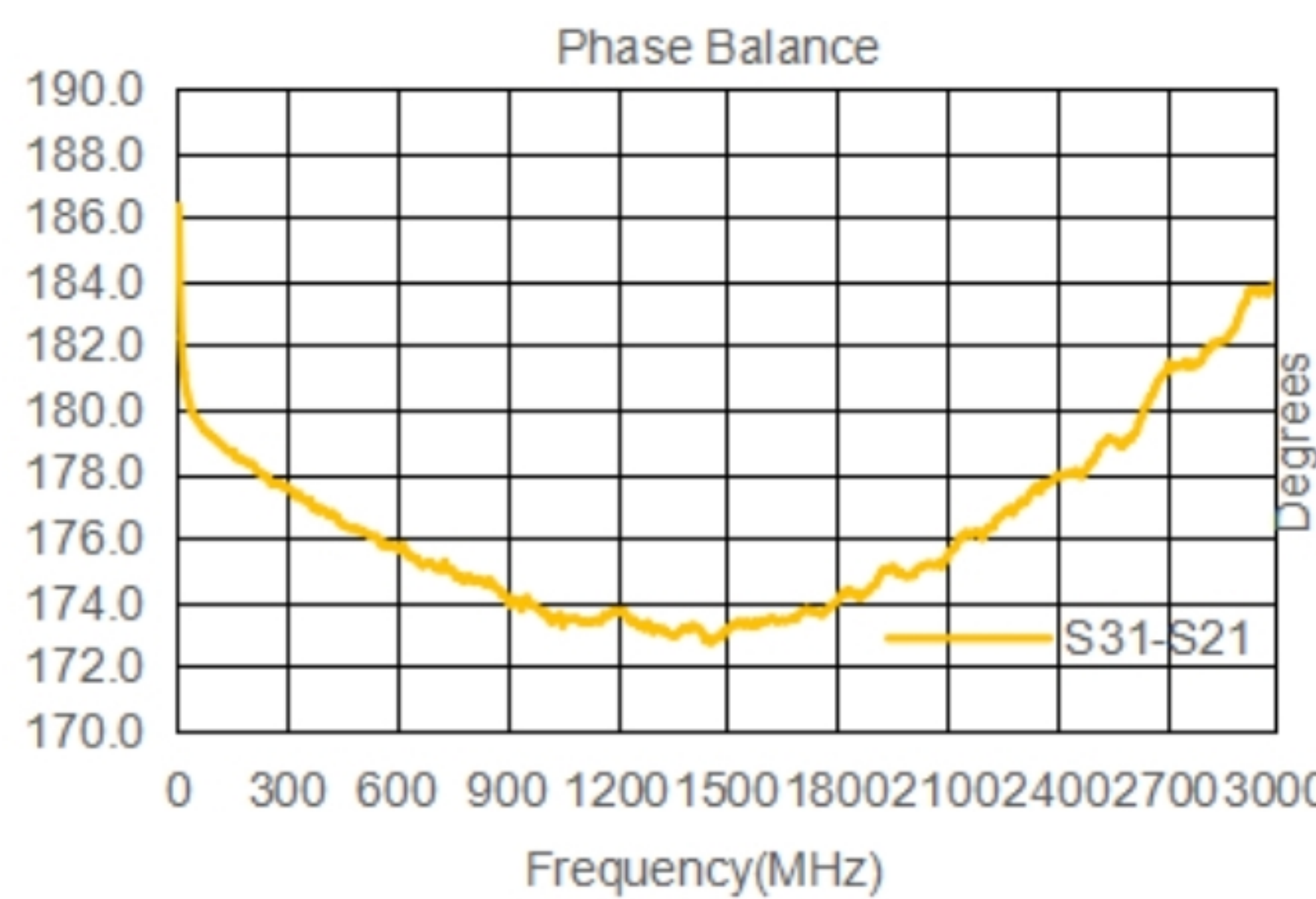
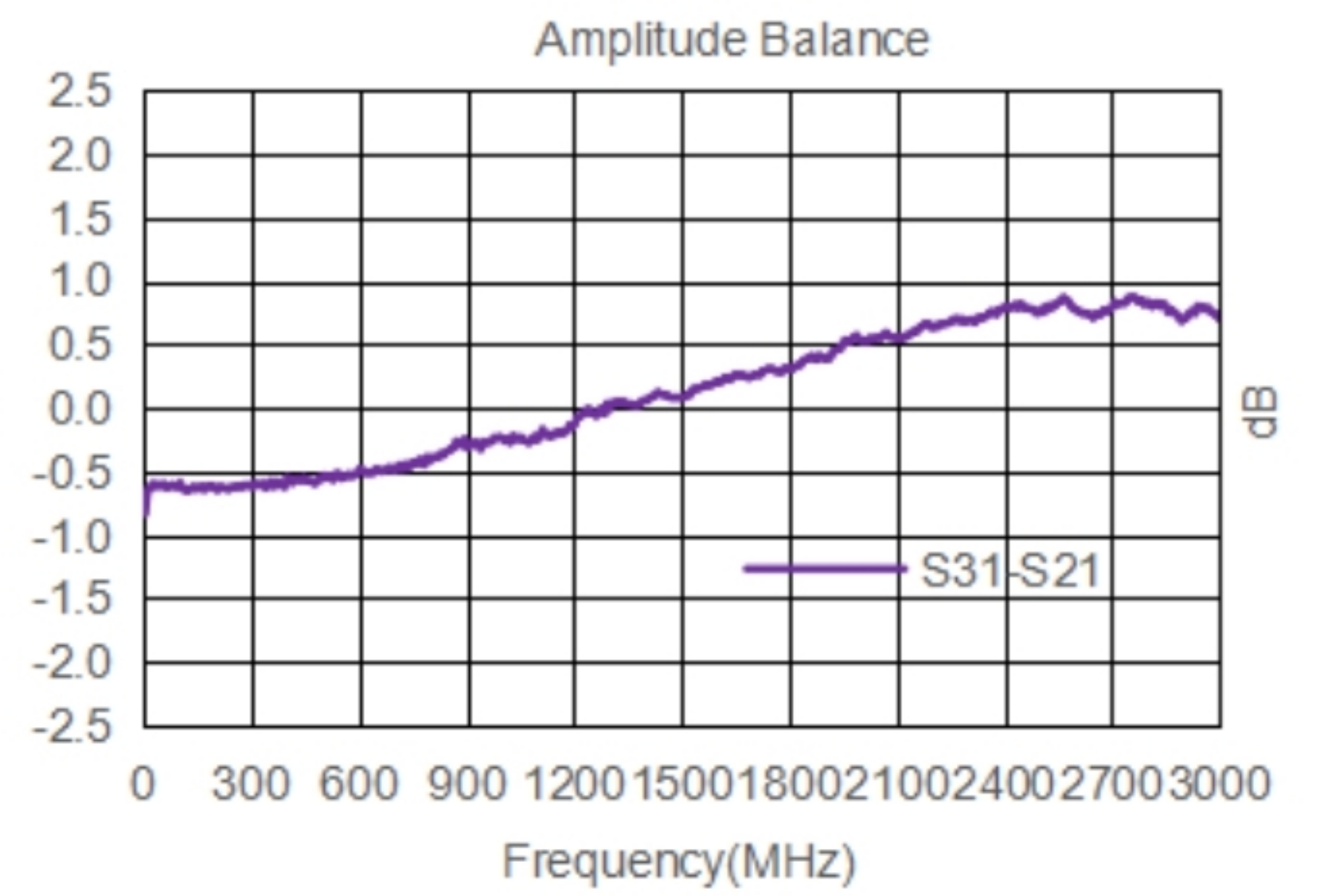
- RF Power, 2.0W
- DC Current, 250 mA
- Operating temperature range: -40 °C to +85 °C
- Storage temperature range: -55 °C to +100 °C

Applications

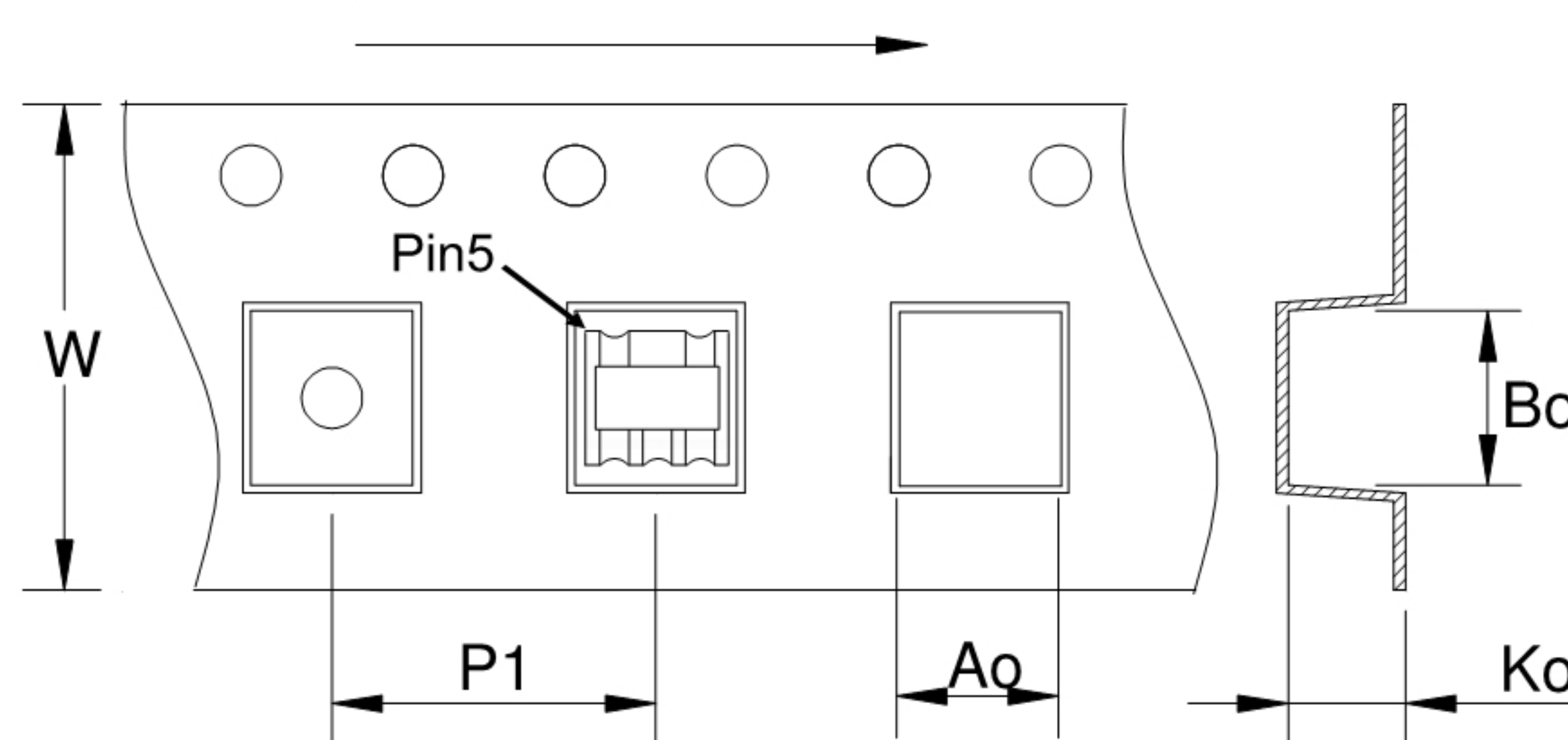
- For Motorola Walkie-talkie.
- For Car Streaming Media Rearview Mirror.
- For Broadband and Wireless Communications.
- For Wireless Microphone & Marine Communications.
- For Ideally Suited LTE, Cellular, UMTS, WiFi, WiMAX.
- For Differential Modulator/demodulator and Active Mixers.

Electrical Specifications:TA=25 °C, 0dBm, Z0=50Ω

Parameter	Test Conditions	Units	Min	Typ	Max
Insertion Loss	3-1800MHz	dB	—	0.7	1.0
	3-2400MHz	dB	—	1.5	2.0
	3-3000MHz	dB	—	2.4	3.5
Amplitude Balance	3-3000MHz	dB	—	0.5	1.0
Phase Balance	3-3000MHz	°	—	5.0	15.0
Input Return Loss	3-3000MHz	dB	8.0	18.0	—



Carrier Tape Orientation



Tape & Reel Information

Parameter	Units	Value
Qty per reel	PCS	2000
Reel Size	mm	330
Tape Width	mm	12.00
Pitch	mm	8.00
Ao	mm	4.50
Bo	mm	4.50
Ko	mm	3.00