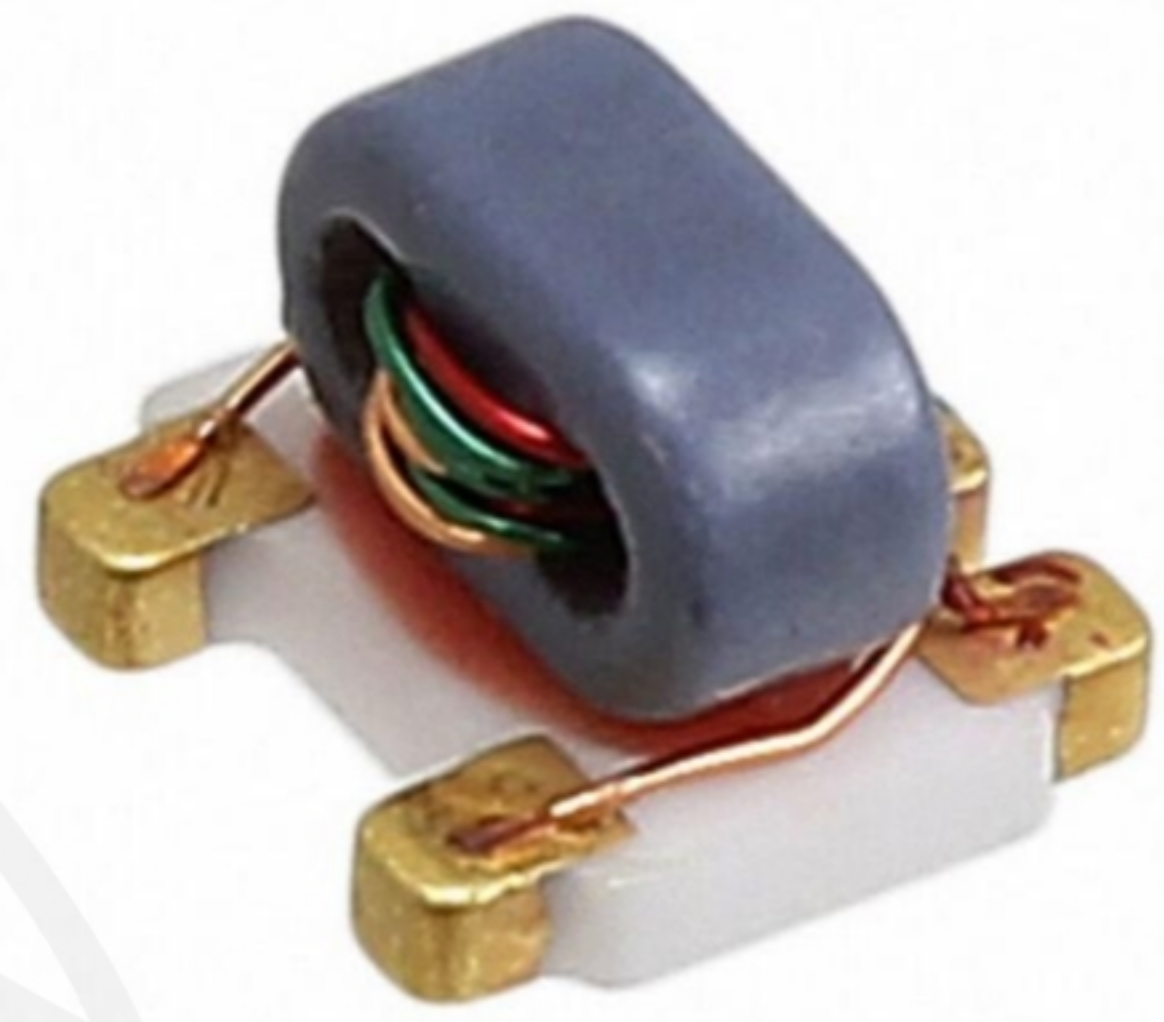


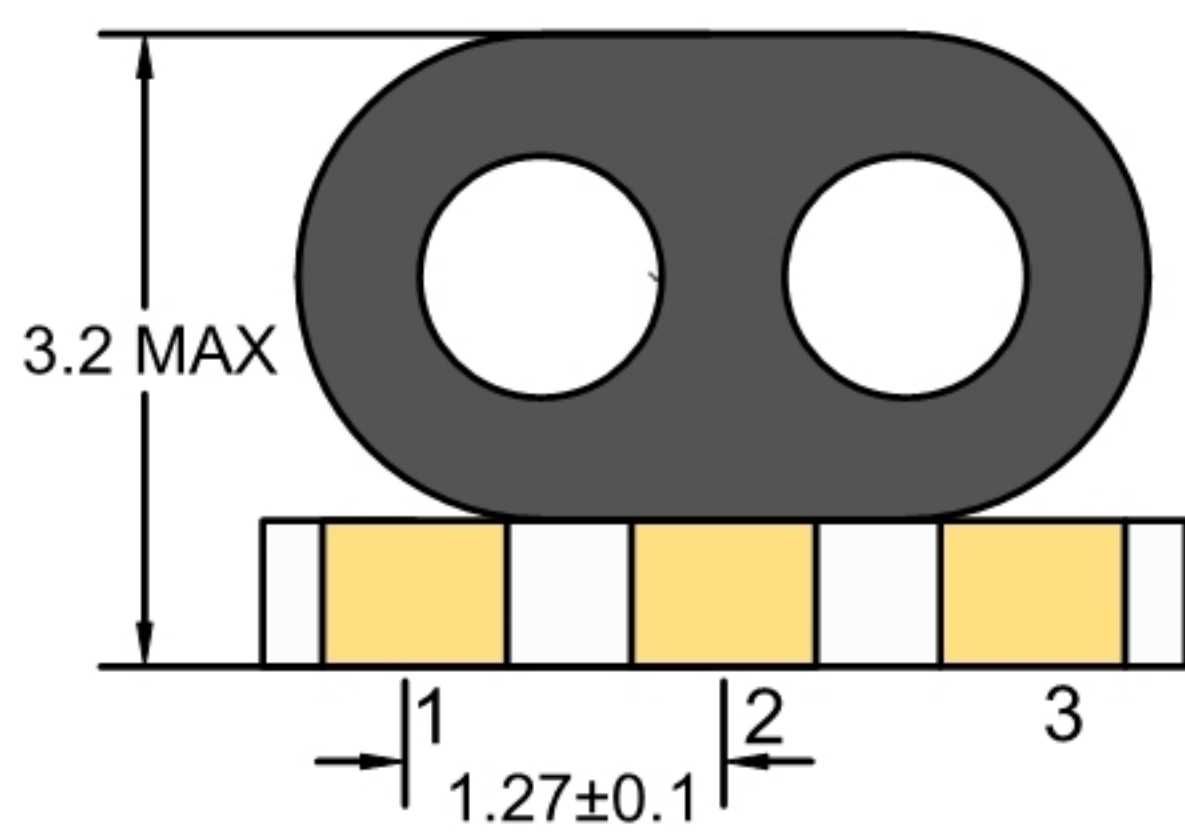
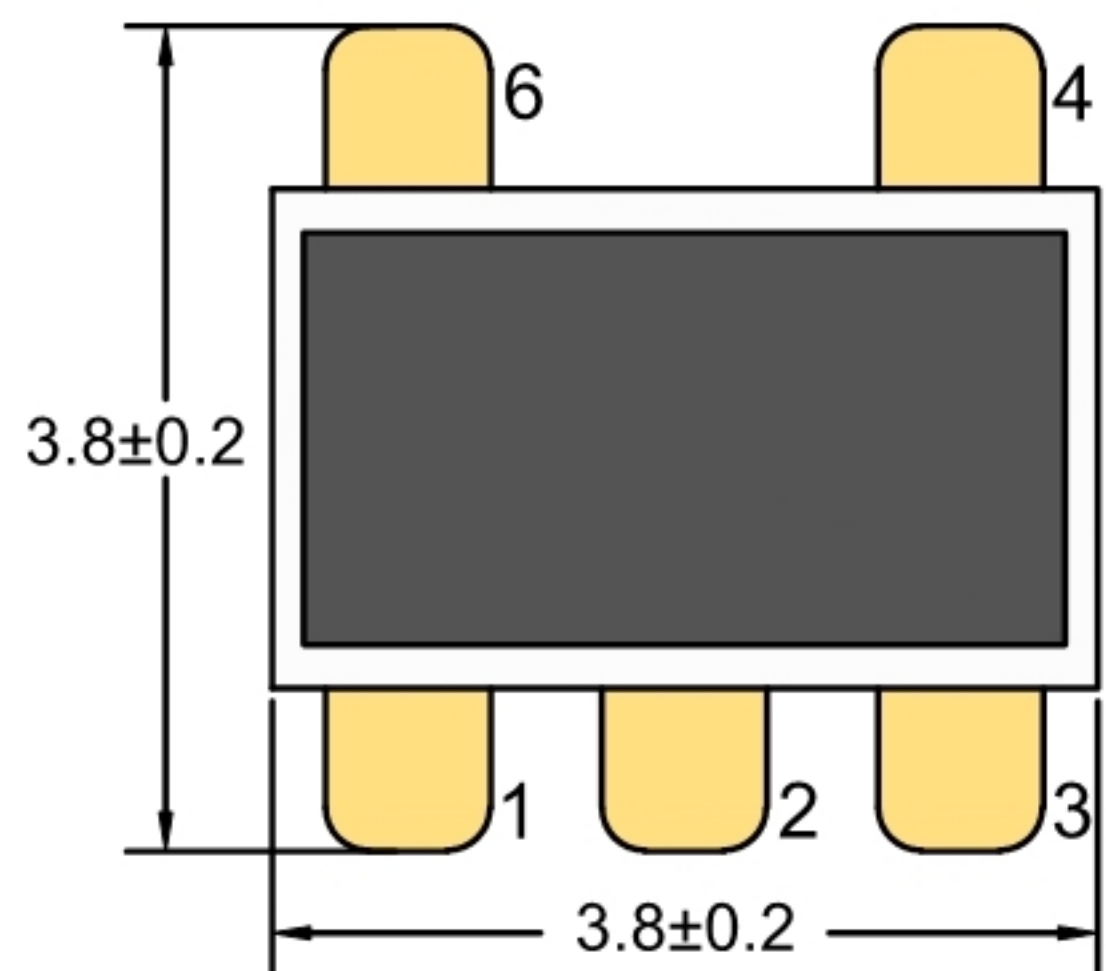
RF Balun Transformer HTW-8553



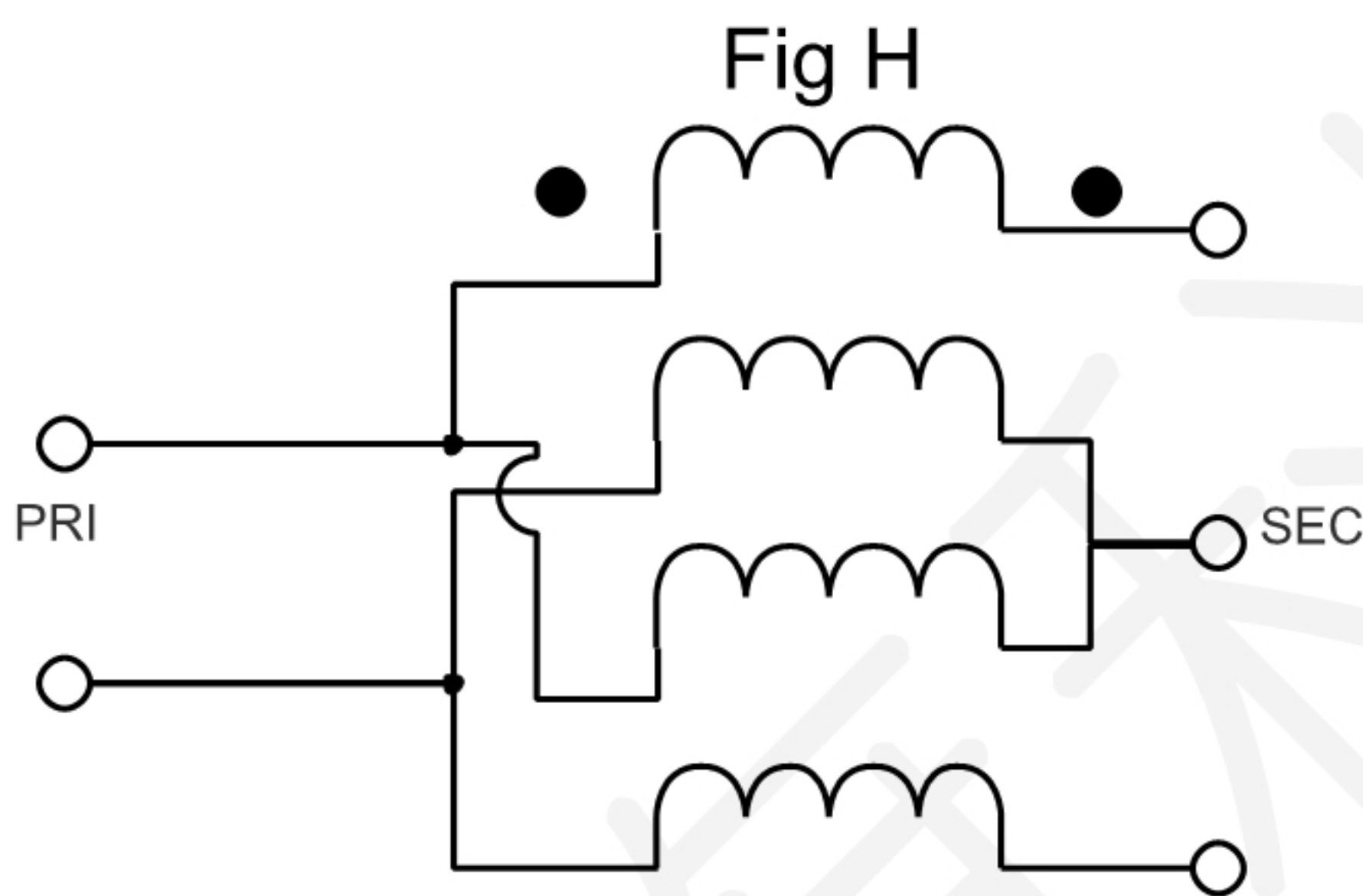
50Ω 1:4 Transmission Line Transformer 500-2500 MHz



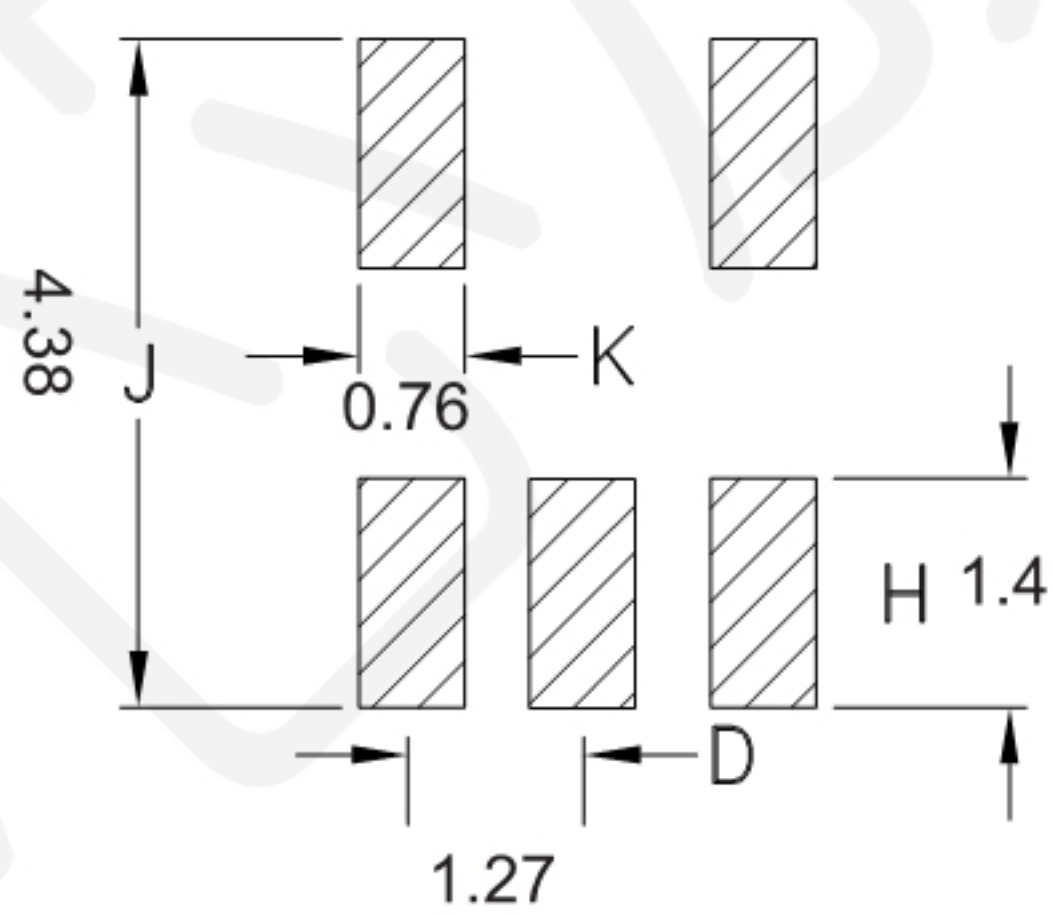
Outline Drawing(mm)



Electrical structure



Recommended layout(mm)



Pin Connections

Input	4
Output 1	3
Output 2	1
Ground	2, 6

Features

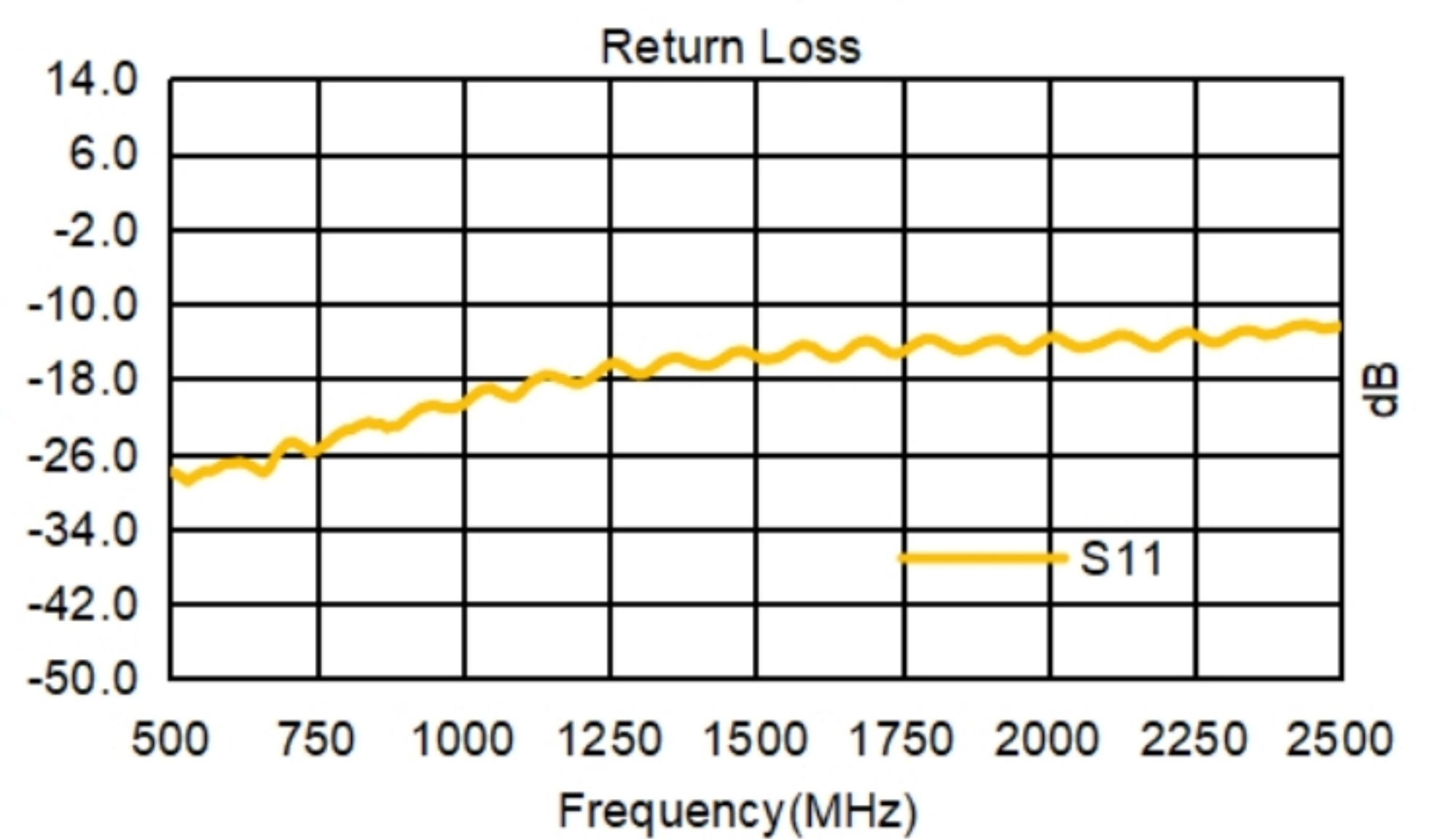
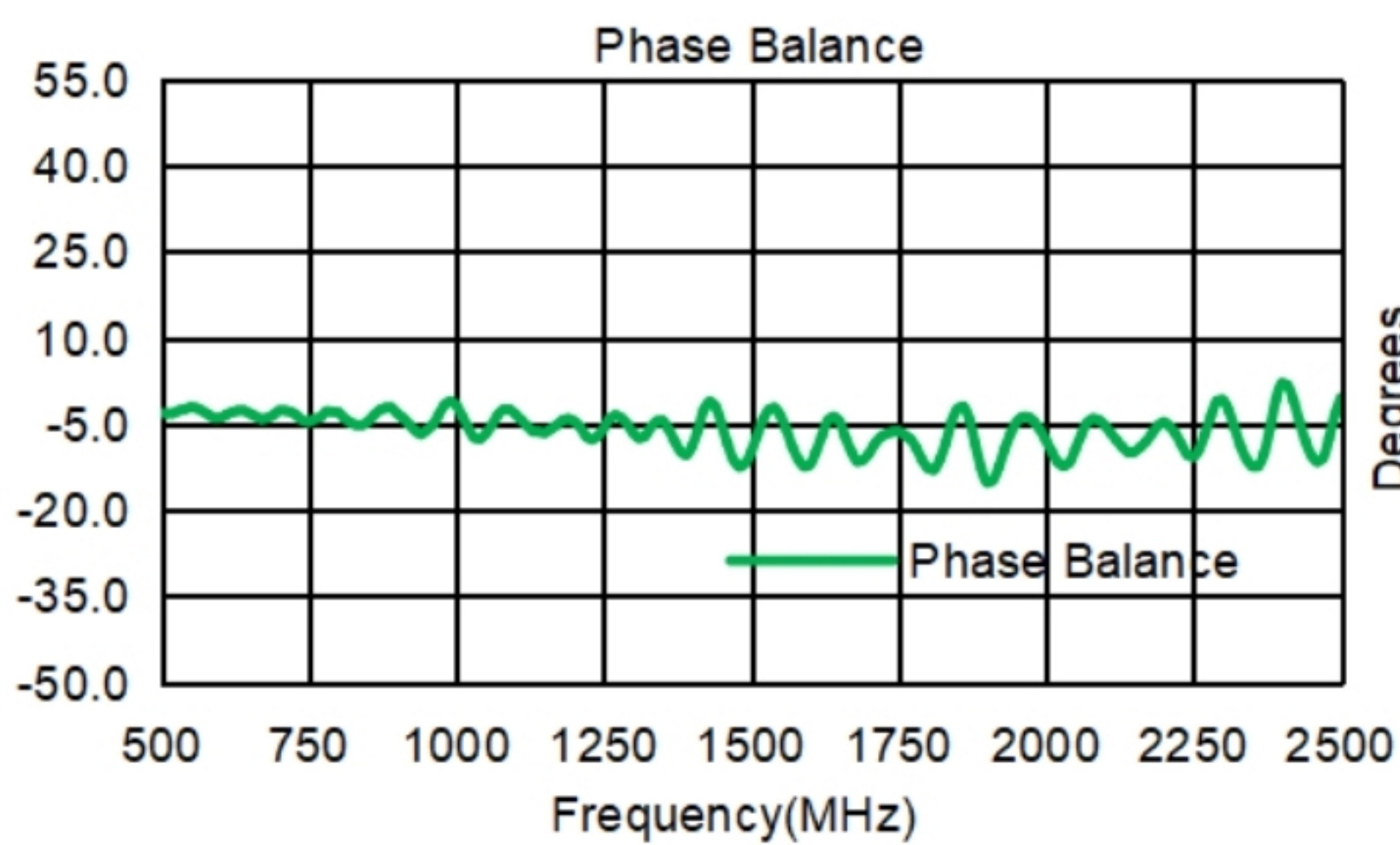
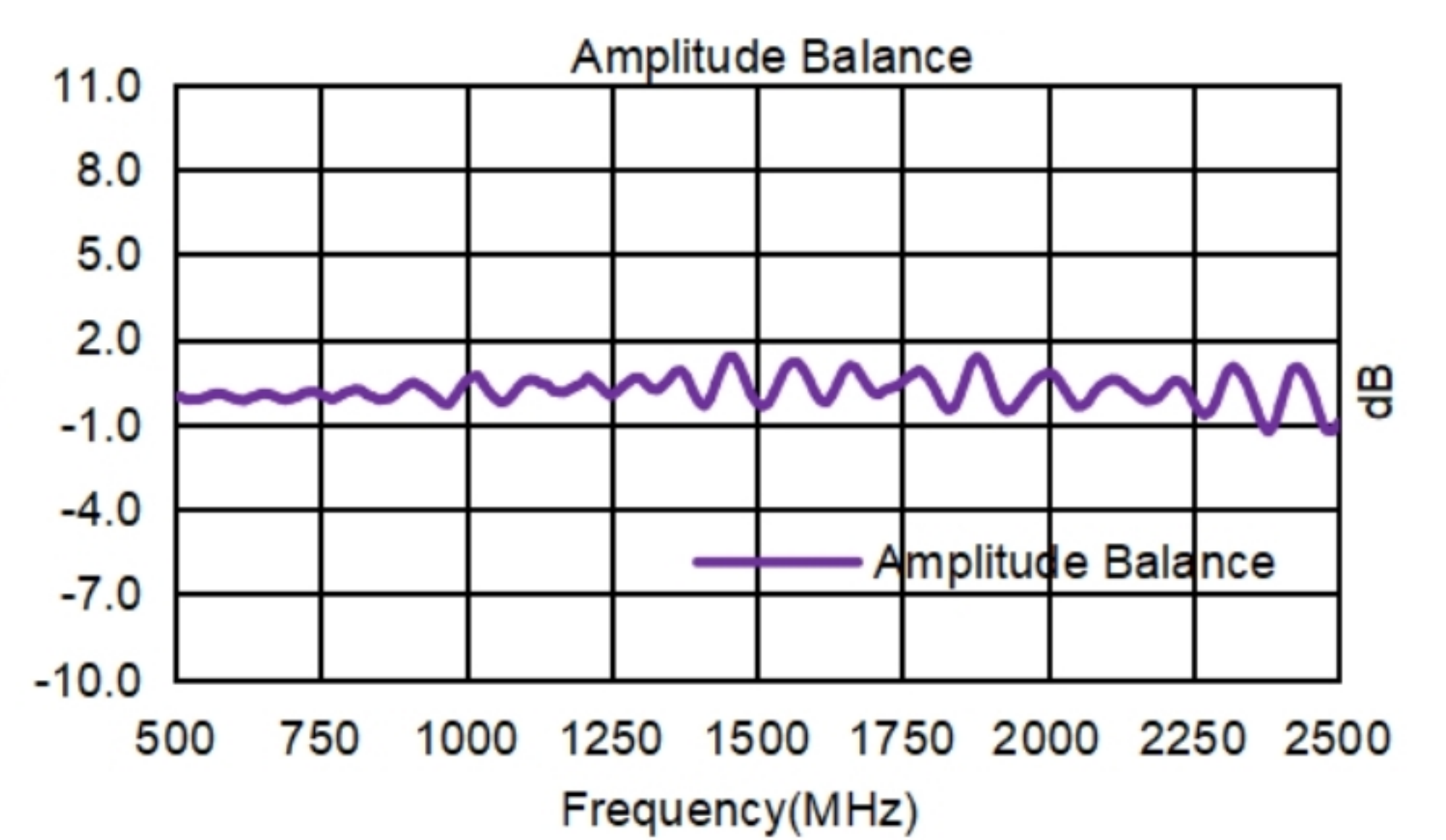
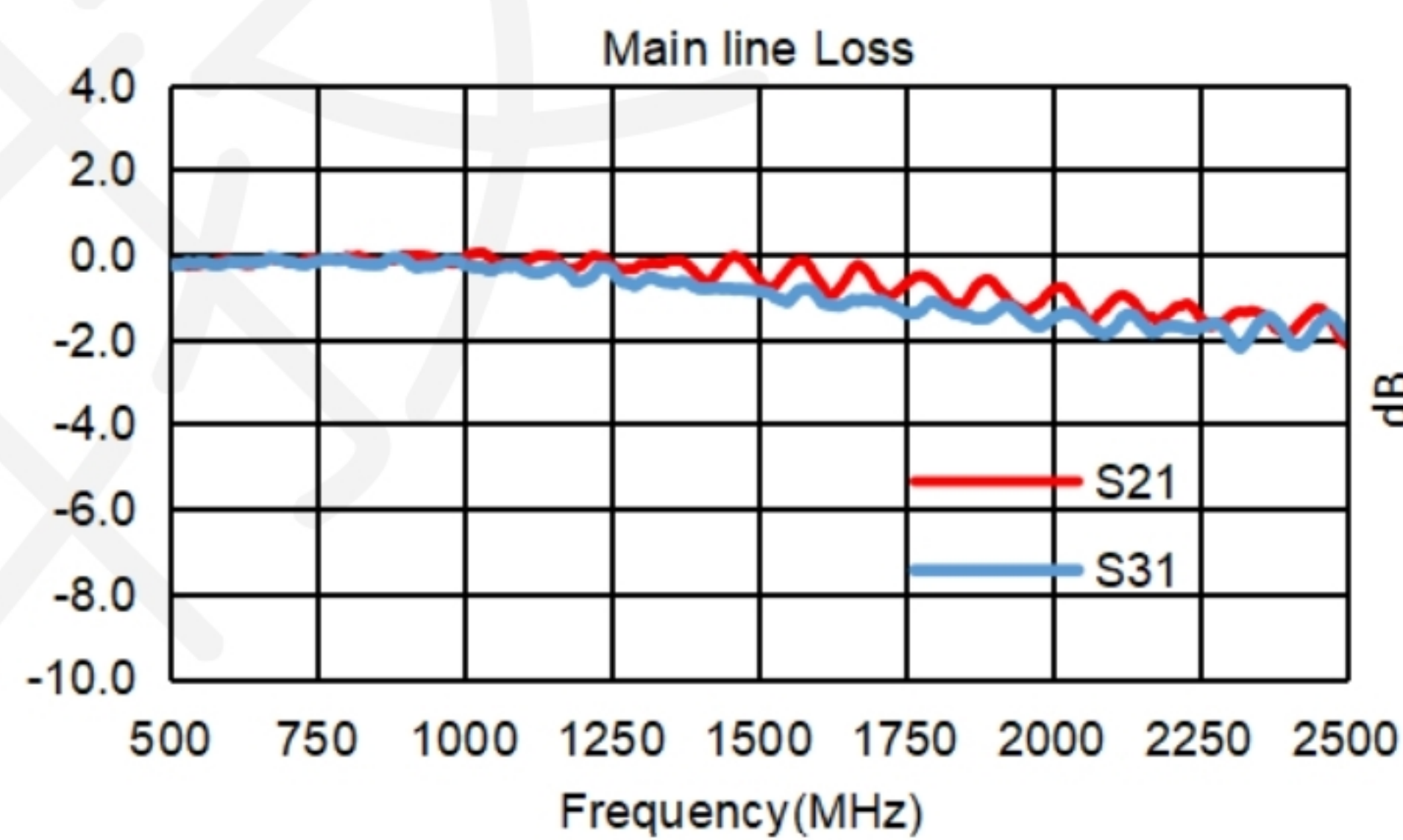
- RF Power, 0.5W
- DC Current, 30mA
- Operating temperature range: -40°C to +85°C
- Storage temperature range: -55°C to +100°C
- 260°C Reflow Compatible
- RoHS compliant and lead free

Applications

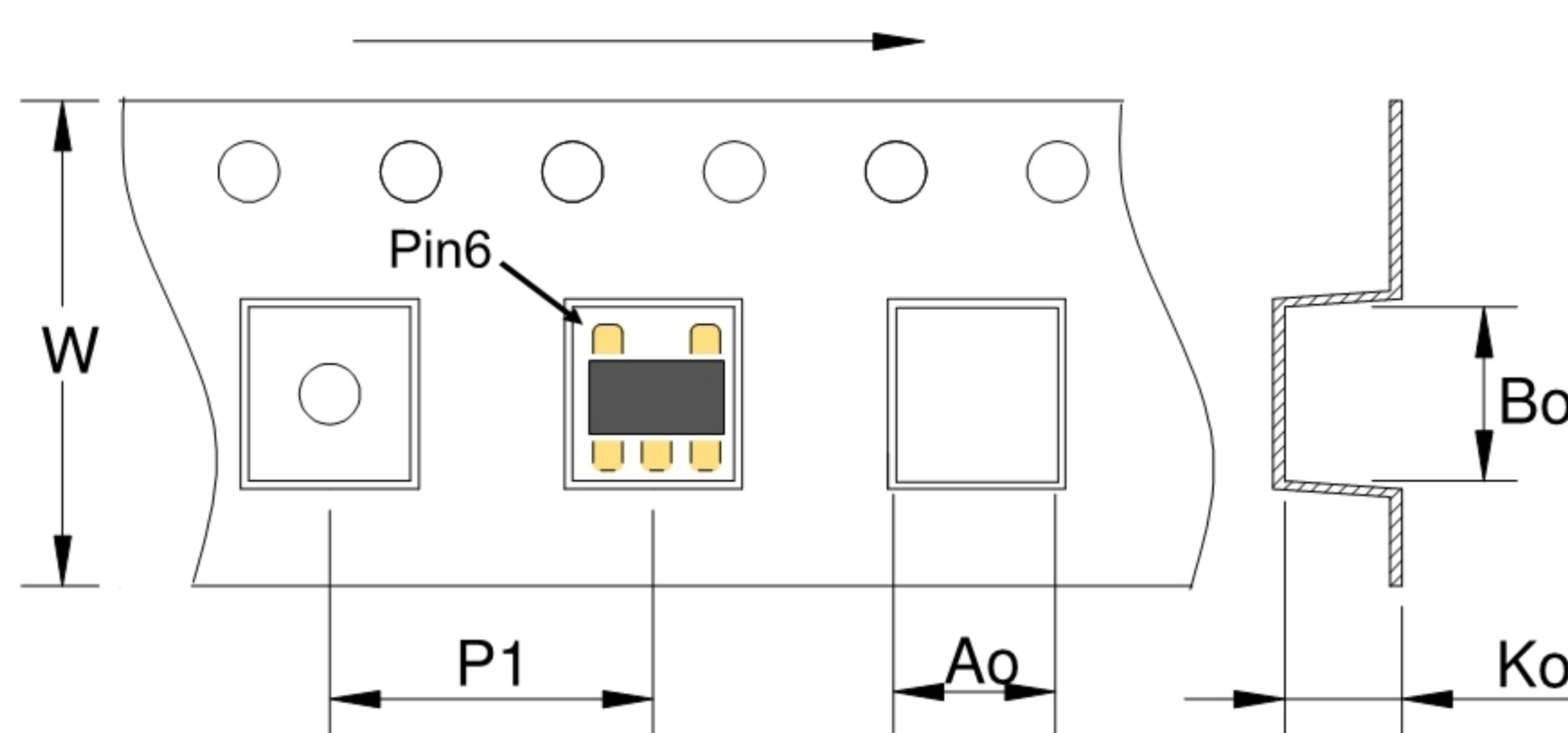
- Impedance matching
- Balanced amplifier
- Balun
- Cellular and VHF

Electrical Specifications: TA=25°C, 0dBm, Z0=50Ω

Parameter	Test Conditions	Units	Min	Typ	Max
Main line Loss (Pin4-3)	500-2500MHz	dB	—	1.8	3.2
Main line Loss (Pin4-1)	500-2500MHz	dB	—	1.8	3.2
Amplitude Balance	500-2500MHz	dB	—	1.5	3.5
Phase Balance	500-2500MHz	°	—	12.0	35.0
Input Return Loss(Pin4)	500-2500MHz	dB	12.0	16.0	—



Carrier Tape Orientation



Tape & Reel Information

Parameter	Units	Value
Qty per reel	PCS	2000
Reel Size	mm	330
Tape Width	mm	12.00
Pitch	mm	12.00
Ao	mm	4.50
Bo	mm	4.50
Ko	mm	3.20